



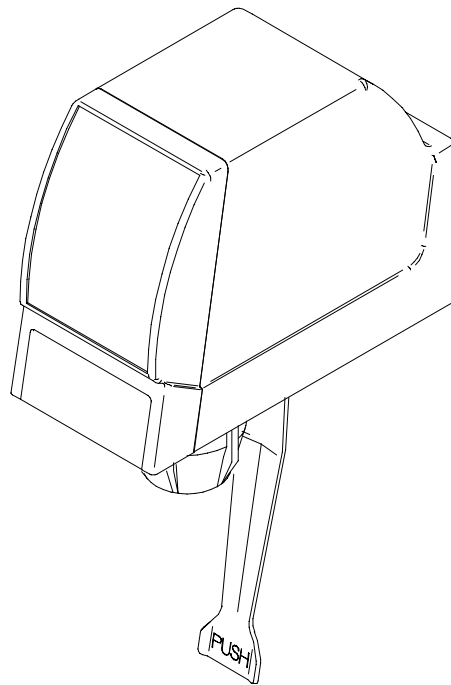
## ILLUSTRATED PARTS LIST

---

### UF-1 AND UFB-1 POST-MIX DISPENSING VALVE

#### PART NO.

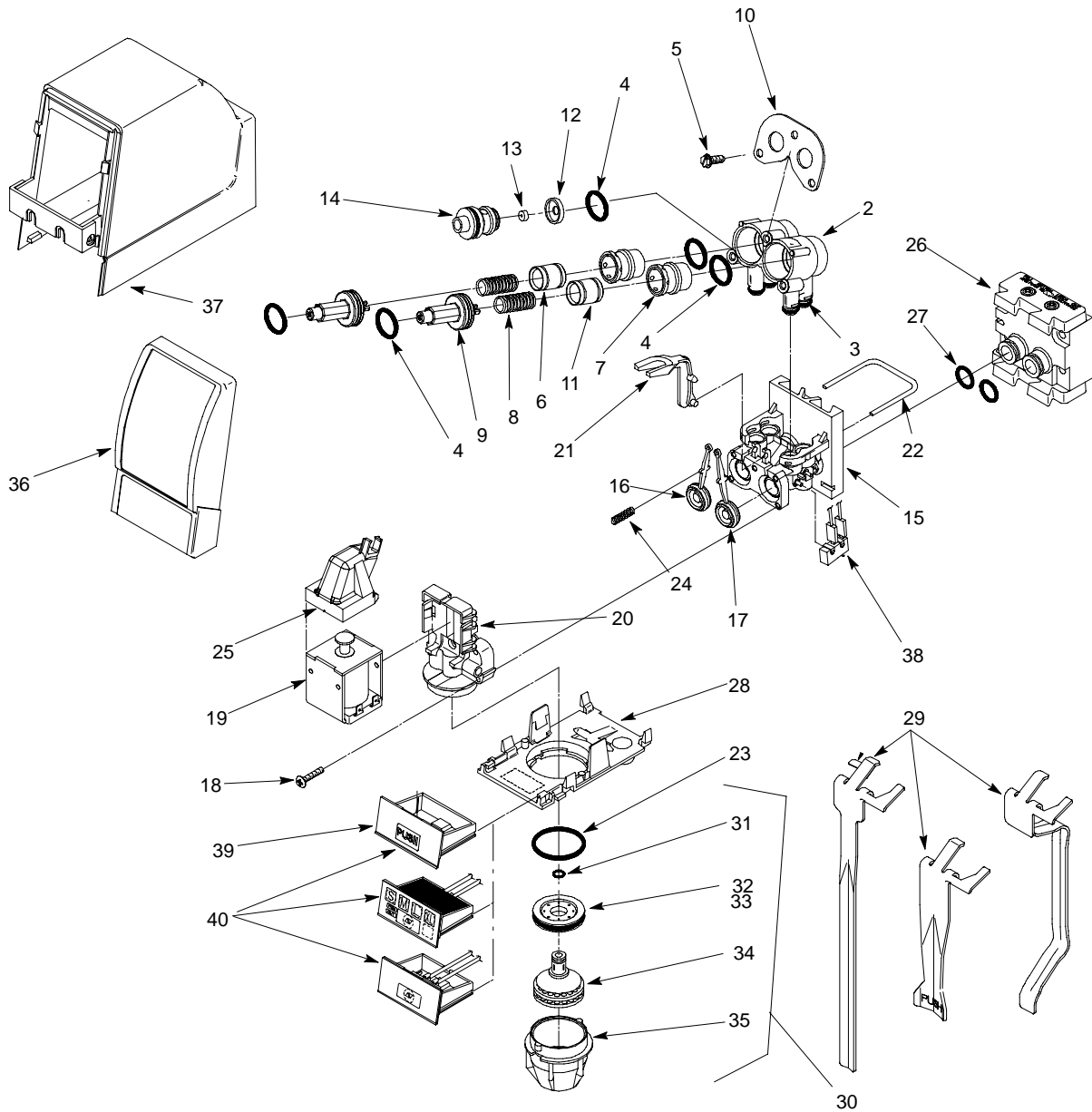
1962	1966
2301	2302
2304	2306
2307	2309
2310	2311
2312	2313
2314	2315
561000102	561000103
561000118	561000119
561000120	561000121
561000122	561000124
561000125	561000126
561000146	561000147
561000148	561000149
561000150	561000151
561000152	561000153
561000155	561000156
561000157	561000158
561000159	561000160
561000161	561000162
561000163	561000164
561000165	561000166
561000169	741000396
741000397	741000398
741000399	741000400
741000401	741000402
741000403	741000404
741000405	741000406





# ILLUSTRATED PARTS LIST

## UF-1 AND UFB-1 POST-MIX DISPENSING VALVE





## ILLUSTRATED PARTS LIST

### UF-1 AND UFB-1 POST-MIX DISPENSING VALVE

Item No.	Part No.	Name
1	1954	Flow Cntl Asy 1.5-3oz/sec. (Includes 2-11)
	560006408	Flow Cntl Asy 2-4oz/sec. (Includes 2-11)
	1957	Flow Cntl Asy Washer 1.5oz/sec. (Includes 2-14)
	560001800	Base Asy 1.5-3oz/sec. (Includes 2-25)
	560001801	Base Asy 3-4.5oz/sec. (Includes 2-25)
	560001802	Base Asy Optifill™ 1.5-3oz/sec. (Includes 2-25)
	560001803	Base Asy Optifill™ 3-4.5oz/sec. (Includes 2-25)
	560001804	Base Asy Washer 3-4.5oz/sec. (Includes 2-25)
	560002569	Base Asy Juice 1.5-3oz/sec. (Includes 2-25)
	560006875 560006876	Base Asy 2-4oz/sec. (Includes 2-25) Base Asy Optifill™ 2-4oz/sec. (Includes 2-25)
2	1907	Body Flow Cntl 1.5-3oz/sec. Black
	560006177	Body Flow Cntl 2-4oz/sec. Blue
	740000262	Body Flow Cntl Low Flow Hi-Carb Gray
3	4073	O-Ring .239 I.D.
4	317816000	O-Ring .676 I.D.
5	560001108	Screw TT 8-16 OVPH 26
6	310754011	Piston Wtr Reg 1.5-3oz/sec.
	560006006	Piston Wtr Reg 2-4oz/sec.
7	1934	Cylinder Flow Cntl
	4386	Cylinder Juice Flow Cntl
8	1940	Spring Flow Cntl 1.5-3oz/sec.
	560006176	Spring Flow Cntl 2-4oz/sec.
9	560007207	Scw Adj Flow Assy
10	1929	Retainer Body Flow Cntl
11	310480011	Piston Syr Reg 1.5-3oz/sec.
	560006005	Piston Syr Reg 2-4oz/sec.
12	319546011	Cap Housing Flow Washer.
13	311194000	Flow Washer 1.5oz/sec.
14	1949	Housing Flow Washer.
15	1900	Body Valve
16	560003995	Valve Banjo Water Side Santoprene
17	1947	Valve Banjo Syrup Side
18	2318	Screw TT 6-19 PAPH 24

Item No.	Part No.	Name
19	1918	Solenoid Pull AC
	2168	Plunger Solenoid AC
20	1901	Head Valve Black
	1902	Head Valve OptiFill™ Black
	740000261	Head Valve Low Flow Hi-Carb Gray
21	1911	Actuator Arm
22	1930	Retainer
23	183184000	O-Ring 1.174 I.D.
24	1931	Spring Return Val
25	560003083	Cover Solenoid
26	1919	Block Mtg Assy
27	312414000	O-Ring .426 I.D.
28	1903	Plate Botm
29	4965	Lever Valve
	560003252	Lever Valve OptiFill™
	560003193	Lever Valve Self Serve
30	1922	Nozzle Asy Black (Includes 31-35)
	561000145	Nozzle Asy Green (Includes 31-35)
	561000154	Nozzle Asy Red (Includes 31-35)
	560001734	Nozzle Asy Juice (Includes 31-35)
31	4073	O-Ring .239 I.D.
32	1913	Diffuser
33	311086000	O-Ring .926 I.D.
34	1917	Baffle Inner Asy Black
	560005352	Baffle Inner Asy Green
	560006167	Baffle Inner Asy Red
	560001733	Baffle Inner Asy Juice
35	1945	Nozzle Black
	560005511	Nozzle Green
	560006166	Nozzle Red
36	1956	Cover Val Fnt
	1951	Cover Val Fnt w/Cutout
37	1950	Cover Val Back
38	4263	Switch and Lead Assy
	560002596	Swt Micro-B
	1923	Switch and Harn Self Serve
	1927	Housing
39	1943	Overlay Swt Push
40	2325	Module Asy Self Serve
	3518	Potion Cntl Module
	4391	Module Asy OptiFill™

**ILLUSTRATED PARTS LIST****UF-1 AND UFB-1 POST-MIX DISPENSING VALVE  
ACCESSORIES/KITS****BRIX CUPS AND BY-PASS TUBES**

Part No.	Description
311100000	Cup Brix 5-5.5 to 1 Ratio
560001939	Cup Brix 5-5.5 to 1 Ratio, Multi Ratio
319540000	Separator Syrup S/Tube UF-/SF-1

**ADAPTOR FITTINGS**

Part No.	Description
77840800	Fitg Val SF-1 .156 I.D.-Barb
77050300	Fitg Val .250 I.D.-Barb Straight
77050100	Fitg Val .250 I.D.-Barb Elbow
77052200	Fitg Val .250 I.D.-Barb 45° Elbow
4073	O-Ring .239 I.D.
318762000	Retainer
1081	Screw TT 8-16 16

**KIT LEVER WATER  
(3297)****KIT GROUND (OPTIFILL™)  
(4024)**