

IN-SINK-ERATOR®

INSTANT HOT WATER DISPENSERS

Model SST-FLTR

Stainless Steel Tank with F-201 Filtration System*



*Water dispenser sold separately

Submittal Sheet

Stainless Steel Tank dispenses filtered near-boiling 200°F water instantly.

- F-201 Filtration System included for fresher tasting water
- 35% more near-boiling water from larger 2/3 gallon stainless steel tank
- Easy to adjust temperature control
- Tool-free tank connections and dry start protection to ease installation
- Provides 60 cups/hour of near-boiling water
- 3-Year We Come To You™ In-Home Service Warranty*
- 120 volts, 750 watts, 6.25 amps
- For use with In-Sink-Erator Series 1100 and other dispenser models (Not for use with Model Hot1)

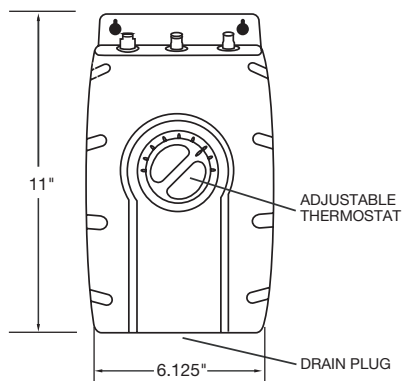
* The complete In-Sink-Erator warranty is included in the Installation, Care & Use Booklet packed with each unit.

Specifications

Capacity	2/3 gallon tank dispenses 60 cups of 200°F water per hour
Electrical	120 volts A.C., 750 watts, 6.25 amp heating element with grounded three (3) prong plug
Thermostat	Snap-action, adjustable from 160°F to 210°F (factory pre-set at 200°F)
Insulation	Meets U.L. 94HF-1 flammability specification
Recommended Supply Pressure	30-125 psi
Shipping Weight	Approximately 4.2 lbs.



Dimensions



DEPTH IS 6.75"

Sample Specification

- Capacity: 2/3 gallon tank dispenses 60 cups of 200°F water per hour
- Electrical: 120 volts A.C., 750 watts, 6.25 amp heating element with grounded three (3) prong plug
- Thermostat: Snap action, adjustable from 160°F to 210°F (factory pre-set at approximately 200°F)
- Insulation: Meets U.L. 94HF-1 flammability specification
- Recommended Supply Pressure: 30-125 psi
- Shipping Weight: Approximately 4.2 lbs.

To ensure optimum performance, maximum distance between tank and dispenser head should be 16" or less.



Job Specifications



The Emerson logo is a trademark and a service mark of Emerson Electric Co. In-Sink-Erator is a division of Emerson Electric Co.