

VU155N series – 115/60/1

- VU155N0RP – Right hand tower, push-button actuation
- VU155N0RL – Right hand tower, sanitary lever actuation
- VU155N0LP – Left hand tower, push-button actuation
- VU155N0LL – Left hand tower, sanitary lever actuation

CVU155N series – 220/60/1

- CVU155N0RP – Right hand tower, push-button actuation
- CVU155N0RL – Right hand tower, sanitary lever actuation
- CVU155N0LP – Left hand tower, push-button actuation
- CVU155N0LL – Left hand tower, sanitary lever actuation



VU155N shown with left hand tower and push-button actuation

High-capacity ice and chilled water dispensers with undercounter ice storage. Up to 150 lbs (68kg) of ice storage. Standard equipment includes 6" to 9" (153 to 229mm) adjustable legs for undercounter dispenser support. Dispensers are auto-fill ready to accept (2) Follett Satellite-fill™ Chewblet® icemakers, for drop-in or slide-in installations.

Attractive, low-profile design

- Compact dispenser with undercounter storage extends only 22" (559mm) above counter
- 12" (305mm) wide tower dispenses both ice and chilled water
- Allows use in islands without restricting visibility
- Contemporary graphics and neutral colors blend into any decor
- Fits into ADA-compliant 34" (864mm) counter

Faster, safer loading of ice at waist height

- Safe, easy waist-height loading from front or rear
- Eliminates overhead lifting of buckets or loading from ladders
- Allows quick reloading during serving period with minimum disruption

Added flexibility to meet varied needs

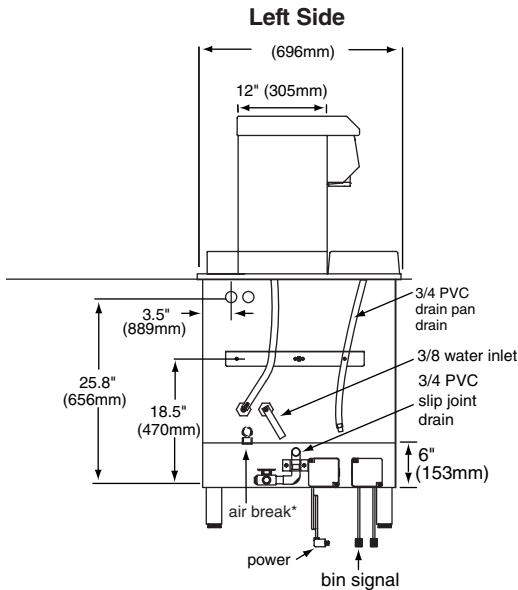
- Reliably dispenses Follett's Chewblet ice and most cubelet ice up to 1" (26mm) square
- Choice of push-button or lever ice and water actuation

Pre-configured for Follett Satellite-fill Chewblet icemakers

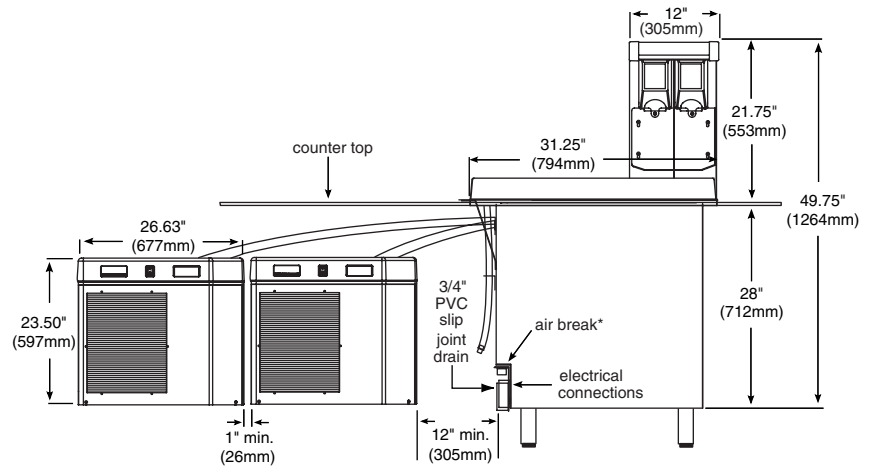
- Add one or two icemakers for added labor savings and sanitation
- Consumer-preferred, chewable compressed nugget ice
- Slow melting, maintains drink temperature

Accessories

- Ice Manager integration kit (item# VUIMDVKIT)



Front View – Right hand ice and water chutes
(shown with two HCC1000AVS Satellite-fill Chewblet icemakers)



*DO NOT CONNECT
AIR BREAK TO
DRAIN SYSTEM

Refer to Design Detail Sheets for important icemaker and installation information	
Icemaker series	Literature form#
MCD400	2810
HCC1000	3105
HCD1000	3110
HCC1400	3175
HCD1400	3110

**Plug Configuration
(115V only)**

NEMA 5-15



Connections/Installation

- Support all dispensers from below on channels or with supplied leg accessory
- Removable counter panel required for access to dispenser side opposite ice chute
- 3/4" PVC pipe nipple for bin drain and drain pan drain, 1" ID hose for beverage bath drain (do not tie drains together)
- Drawings show units with right hand ice chute – left hand units have connections in same position on right side

Required Clearances

- 51" (1295mm) minimum above counter for installation if dispenser will be dropped into counter
- 36" (915mm) minimum above counter for auger removal
- 12" (305mm) minimum on side opposite ice chute for service
- 12" (305mm) minimum on ice chute side if ice transport tube enters this side
- 12" (305mm) minimum between dispenser side(s) and optional icemaker(s)
- Maximum counter thickness – 1.25" (31.75mm)

Electrical

Standard electrical – 115V, 60Hz, 1 ph

Dispenser – 2.4 amps

Alternate electrical – 220V, 60Hz, 1 ph

Dispenser – 2.0 amps

8 ft (2.4m) cord and NEMA 5-15 hospital-grade plug provided with each dispenser. Separate circuits and disconnects required for each dispenser.

Approximate Shipping Weight

Dispenser – 250 lbs (113kg)

Chewblet is a registered trademark of Follett Corporation, registered in the US.

Follett reserves the right to change specifications at any time without obligation. Certifications may vary depending on country of origin.