



# USER'S GUIDE

## L3D SERIES THERMAL DISPENSERS



L3D-10  
1 gallon



L3D-15  
1.5 gallon



L3D-20  
2 gallon

**FETCO®**  
www.fetco.com

© 2003 Food Equipment Technologies Company  
FETCO® and LUXUS® are trademarks or trade names of  
Food Equipment Technologies Company.



Part # P015 Rev. June 2, 2003

### BREW FUNNEL DISPLAY (Display updates every 6 seconds.)

#### Freshness Timer

- = 15 minutes.
- = 1 hour.
- = Maximum time has elapsed. (4 hrs.)  
- flashing -

Timer is reset when dispenser is completely emptied, when funnel is removed, or when enough liquid is added to increase the volume by at least one level.

#### Volume Display

- Each bar equals 1/4 gallon.
- "V" section is 1<sup>st</sup> bar.
- Example shown is L3D-15.  
L3D-10 has 4 bars.  
L3D-15 has 6 bars.  
L3D-20 has 8 bars.

#### Examples for L3D-15:



#### Troubleshooting:



**Problem:** "V" segment of volume display is flashing slowly.  
**Cause:** Funnel stem is dirty.  
**Solution:** Clean funnel stem with detergent and a sponge or towel.



**Problem:** Every other bar of volume display is flashing slowly.  
**Cause:** Battery power is low or internal malfunction.  
**Solution:** Replace with new funnel. Battery cannot be replaced.

### IMPORTANT SAFEGUARDS

- ▶ To prevent overflows, make sure the dispenser is completely empty before brewing.
- ▶ Always remove the funnel for manual filling of the dispenser.
- ▶ Do not use bleach or cleaners containing chlorides.
- ▶ Use only non-metallic brushes and cleaning pads.
- ▶ Use only the handle to lift or carry the dispenser.
- ▶ Do not use the faucet guard to pull or lift the dispenser.
- ▶ Do not submerge the brew funnel.

### CLEANING AND MAINTENANCE

#### Daily:



**Important Notice:** To maintain proper operation of the funnel display, clean the funnel stem daily under running water with detergent and a sponge or towel. Do not submerge.

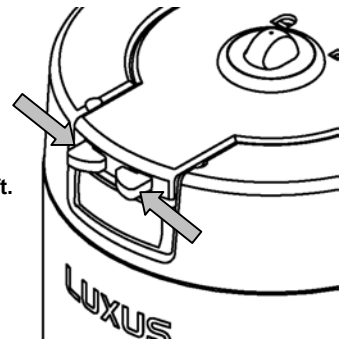
- ▶ Use any commercial beverage urn cleaner to clean the inside of the dispenser. Follow the cleaner manufacturer's instructions. Make sure to thoroughly rinse the dispenser after cleaning.
- ▶ Wash the drip tray and other plastic parts with dish detergent. Avoid abrasives.
- ▶ To sanitize the dispenser before filling, brew a batch of water only (no coffee) into the dispenser and allow it to rest for 10 minutes.

#### Weekly, or as needed:

- ▶ Remove the faucet upper assembly and inspect the seat cup for wear. Clean or replace if necessary.

### OPENING THE DISPENSER

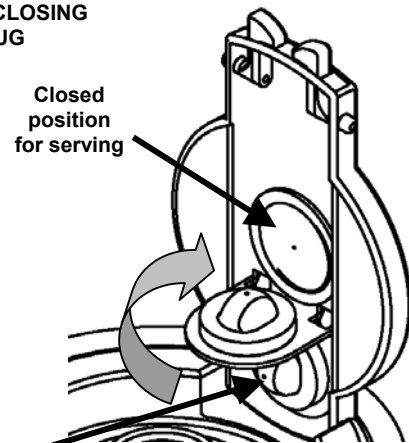
Squeeze tabs together and lift.



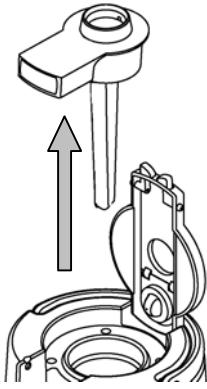
### OPENING AND CLOSING THE COVER PLUG

Closed position for serving

Open position for brewing



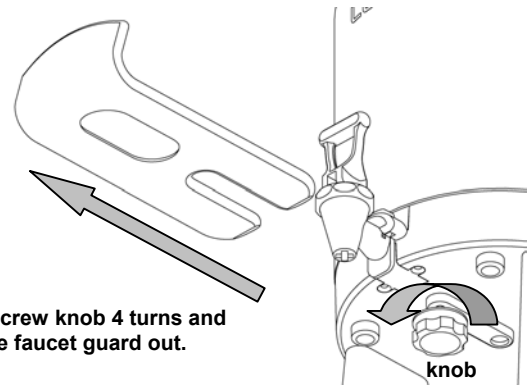
**REMOVING THE BREW FUNNEL**



**⚠ Important Notice:** To maintain proper operation of the funnel display, clean the funnel stem daily under running water with detergent and a sponge or towel. Do not submerge.

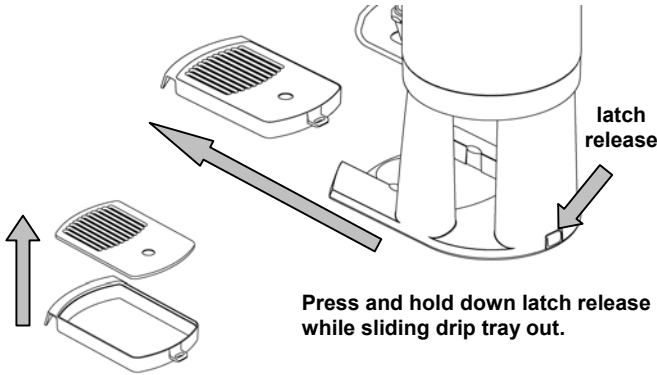
- Brew funnel must be removed for manual filling of dispenser.
- Removing the funnel resets the timer.
- To extend battery life, remove the funnel when not in use. (Battery cannot be replaced.)

**REMOVING THE FAUCET GUARD**



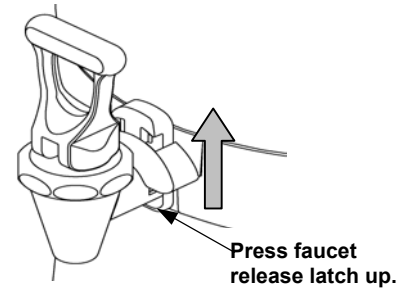
Unscrew knob 4 turns and slide faucet guard out.

**REMOVING THE DRIP TRAY**

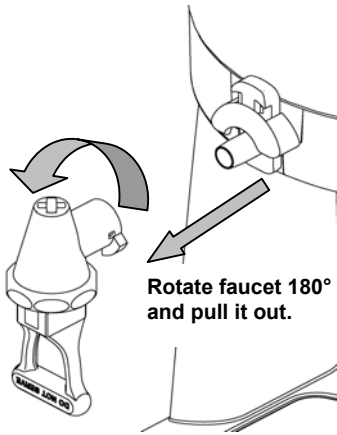


Press and hold down latch release while sliding drip tray out.

**REMOVING THE FAUCET**

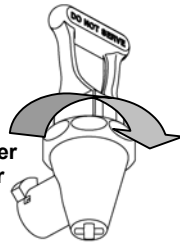


Press faucet release latch up.



Rotate faucet 180° and pull it out.

Unscrew faucet upper assembly to clean or replace seat cup.



Reverse procedure to re-install faucet. Press release latch down to lock faucet in place.

**Replacement Parts**

	L3D-10	L3D-15	L3D-20
	<u>Part #</u>	<u>Part #</u>	<u>Part #</u>
funnel assembly, with gasket	K001	K002	K003
funnel gasket	24053	24056	24056
faucet guard	23166	23137	23137
faucet guard knob, w/washer	K010	K010	K010
faucet assembly, complete	K011	K011	K011
faucet upper assembly (black handle, seat cup, spring assy.)	71037	71037	71037
faucet handle, black	71028	71028	71028
faucet handle, orange	71027	71027	71027
faucet handle, red	71080	71080	71080
faucet handle, green	71085	71085	71085
faucet seat cup	71035	71035	71035
drip tray assembly (tray & cover)	K013	K014	K014