



**INSTRUCTION MANUAL
MANUAL DE INSTRUCCIONES**

**MODEL NUMBER / NUMERO DE MODELO:
WD31EC**

**THERMOELECTRIC WATER DISPENSER
ENFRIADOR DE AGUA TERMoeLECTRICO**



BEFORE USE, PLEASE READ AND FOLLOW ALL SAFETY RULES AND OPERATING INSTRUCTIONS.

Avanti has a policy of continuous improvement on its products and reserves the right to change materials and specifications without notice.

La sección en español empieza en la página 12.

**Avanti Products, A Division of the Mackle Co., Ltd.
P.O. Box 520604 - Miami, Florida 33152
www.avantiproducts.com**

TABLE OF CONTENTS

| | |
|--|-------|
| HELP US HELP YOU... | 3 |
| PARTS AND FEATURES | 4 |
| IMPORTANT SAFETY INSTRUCTIONS | 5 |
| INSTALLATION GUIDELINES | 5 |
| OPERATION INSTRUCTIONS | 5 |
| BEFORE USING YOUR WATER DISPENSER | 5 |
| OPERATING YOUR WATER DISPENSER | 6 |
| ELECTRICAL CONNECTION | 6 |
| REPLACING WATER BOTTLE | 6 |
| CONTROL AND DISPLAY PANEL | 7 |
| WORKING MODES | 7 |
| ENERGY SAVING MODE | 7 |
| NORMAL MODE | 7 |
| CARE AND MAINTENANCE | 8 |
| TAKING DISPENSER OUT OF SERVICE | 8 |
| PROBLEMS WITH YOUR WATER DISPENSER? | 9 |
| TROUBLESHOOTING GUIDE | 9 |
| SERVICE FOR YOUR WATER DISPENSER | 9 |
| YOUR AVANTI PRODUCTS WARRANTY | 10 |
| WIRING DIAGRAM | 11 |
| INSTRUCCIONES EN ESPAÑOL | 12-15 |
| REGISTRATION INFORMATION / REGISTRATION CARD | 17 |

HELP US HELP YOU ...

Read this guide carefully.

It is intended to help you operate and maintain your new water dispenser properly.

Keep it handy to answer your questions. If you don't understand something or you need more assistance, please call:

**Avanti Customer Service
800-220-5570**

Keep proof of original purchase date (such as your sales slip) with this guide to establish the warranty period.

Write down the model and serial numbers.

You'll find them on a label located on the back side of the unit.

Please write these numbers here:

Date of Purchase

Model Number

Serial Number

Use these numbers in any correspondence or service calls concerning your water dispenser.

If you received a damaged water dispenser, immediately contact the dealer (or builder) that sold you the water dispenser.

Save time and money. Before you call for service, check the Troubleshooting Guide. It lists causes of minor operating problems that you can correct yourself.

IF YOU NEED SERVICE

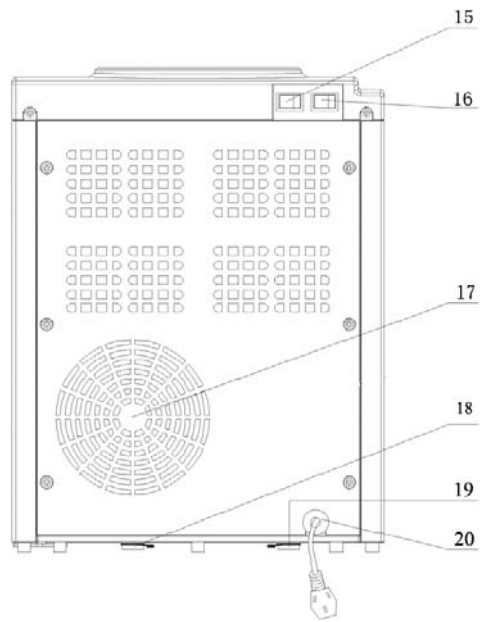
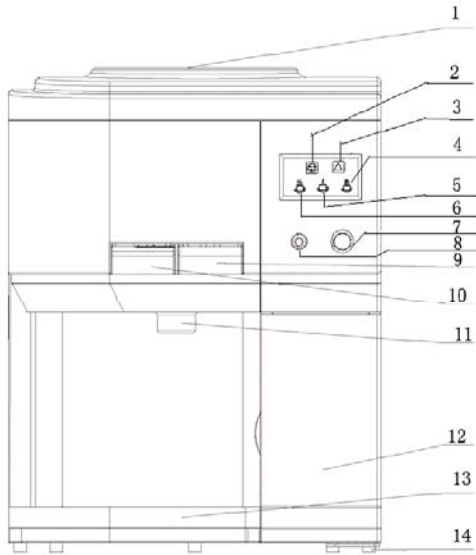
We're proud of our service and want you to be pleased. If for some reason you are not happy with the service you receive, here are some steps to follow for further assistance.

FIRST, contact the people who serviced your appliance. Explain why you are not pleased. In most cases, this will solve the problem.

NEXT, if you are still not pleased, write all the details, including your telephone number, and send it to:

**Customer Service
Avanti Products
10880 NW 30 Street
Miami, FL 33172 USA**

PARTS AND FEATURES



- | | |
|--|--|
| <ul style="list-style-type: none"> 1 Water Intake 2 Energy Saving Mode Indicator 3 Normal Mode Indicator 4 Hot Water Indicator 5 Warm Water Indicator 6 Cold Water Indicator 7 Hot Water Button 8 Program Selector Button 9 Cold Water Faucet (Blue) 10 Hot Water Faucet / Child Guard (Red) | <ul style="list-style-type: none"> 11 Water Outlet 12 Storage Cabinet 13 Removable Drip Tray 14 Leveling Legs 15 Cold Switch 16 Hot Switch 17 Cooling Fan Vent 18 Drain Hole (Cold Water) 19 Drain Hole (Hot Water) 20 Power Supply Cord |
|--|--|

IMPORTANT SAFETY INSTRUCTIONS

| | |
|--|--|
| ⚡ WARNING ⚡ | To reduce the risk of fire, electrical shock, or injury when using your appliance, follow these basic precautions: |
| <ul style="list-style-type: none">• Read all instructions before using the water dispenser.• Never clean parts with flammable fluids. The fumes can create a fire hazard or explosion.• Do not store or use gasoline or any other flammable vapors and liquids in the vicinity of this or any other water dispenser. The fumes can create a fire hazard or explosion• Do not plug unit into receptacle until you ensure the water tank switches are off. <p style="text-align: center;">-Save these instructions-</p> | |

INSTALLATION GUIDELINES

- Remove the exterior and interior packing.
- Locate the appliance away from direct sunlight and sources of heat (stove, heater, radiator, etc.). Direct sunlight may affect the acrylic coating and heat sources may increase electrical consumption. Extreme cold ambient temperatures may also cause the appliance not to perform properly.
- Plug the appliance into an exclusive properly installed-grounded wall outlet. Do not under any circumstances cut or remove the third (ground) prong from the power cord. Any questions concerning power and/or grounding should be directed toward a certified electrician or an authorized Avanti Products service center.
- This water dispenser is not recommended for outdoor use.
- Do not locate the dispenser in area where the temperature may fall below freezing (32° F).
- Keep area around dispenser free of dust and dirt.
- Keep the reserve supply of water bottles away from excessive heat and light.

OPERATION INSTRUCTIONS

Before Using Your Water Dispenser

- Check to be sure the following parts are included:
 - 1 Instruction Manual
 - 1 Removable Drip Tray
- The water cooler is pre-cleaned at the factory but the reservoir and water lines must be flushed with fresh water before use as follows:
 - Keep the unit unplugged.
 - Fill water tank with tap water full to capacity (about 20 ounces). Wait for 5 minutes until water settles.
 - Proceed to drain the water from both faucets until no more water remains.
 - Then, drain any water left in the tanks by opening the water drain caps located on the bottom, until it drains completely.
 - Proceed to close the drain caps. Also make sure both faucets are closed.
 - Place the water bottle on the water intake; allow water to stand for approximately one minute.
 - Open water faucets to insure water flows from both faucets.
 - Plug dispenser into the electrical outlet.

- Turn the cold and hot water switches ON (at the rear).
- Now you are ready to use your water dispenser.

IT WILL TAKE APPROXIMATELY 1 HOUR TO REACH OPTIMUM TEMPERATURE. IF YOU CONSUME ONE 8 OZ. CUP, THE RECOVERY TIME IS APPROXIMATELY 25 MINUTES OR LESS. IF YOU CONSUME 2 OR MORE 8 OZ. CUPS, RECOVERY TIME CAN TAKE UP TO 1 HOUR.

NOTE: Your water dispenser has been cleaned and sanitized before leaving the factory, but in case a taste problem develops, place one tablespoon of baking soda and add tap water. Fill water tank again and repeat basic operations previously outlined.

OPERATING YOUR WATER DISPENSER

Electrical Connection

⚡ WARNING ⚡

IMPROPER USE OF THE GROUNDED PLUG CAN RESULT IN THE RISK OF ELECTRICAL SHOCK. IF THE POWER CORD IS DAMAGED, HAVE IT REPLACED BY AN AUTHORIZED AVANTI PRODUCTS SERVICE CENTER.

This appliance should be properly grounded for your safety. The power cord of this appliance is equipped with a three-prong plug which mates with standard three prong wall outlets to minimize the possibility of electrical shock.

Plug the appliance into an exclusive properly installed-grounded wall outlet. Do not under any circumstances cut or remove the third (ground) prong from the power cord. Any questions concerning power and/or grounding should be directed toward a certified electrician or an authorized Avanti Products service center.

This appliance requires a standard 115/120 Volts A.C. ~/ 60Hz electrical outlet with three-prong ground.

The cord should be secured behind the appliance and not left exposed or dangling to prevent accidental injury.

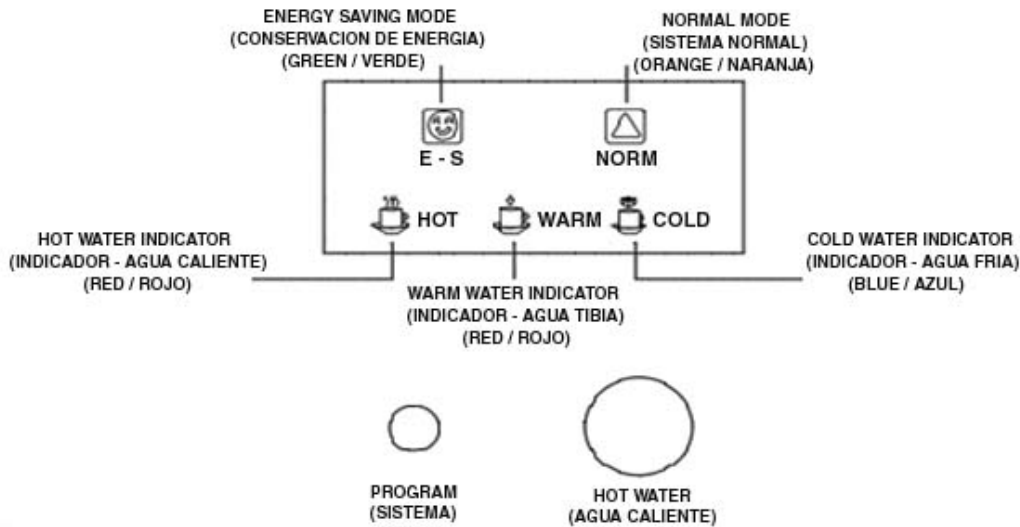
Do not use an adapter plug with this appliance.

Do not use an extension cord with this appliance. If the power cord is too short, have a qualified electrician or service technician install an outlet near the appliance.

Steps To Replace Water Bottle

- Use a clean cloth to wipe off neck of bottle.
- Remove cap (if one is present).
- Carefully lift bottle, do not place hands on the opening of the bottle while placing on the water intake opening.
- Insert the water bottle into the water intake over the reservoir opening so that it settles properly.
- Wipe off any water which may have splashed on dispenser top.

Control and Display Panel



For operation of unit, please fill water and make sure water settles inside the water tank, and then switch on both hot and cold switches at back of unit.

Working Programs:

Energy Saving Program:

When the PROGRAM button is pushed down, it's under Energy Saving Program; The (green) E-S indicator will be displayed. During operation the (red) "WARM" cycle indicator will be displayed until the temperature of the water in the reservoir reaches 60°C/140°F. Once the temperature reaches 60°C/140°F (approximately 4 minutes) the (red) "WARM" indicator will turn off and will remain off until the temperature of the water in the reservoir drops to 50°C/122°F at which time the (red) "WARM" cycle indicator will turn on and the cycle will start again.

During "Energy Saver" Program, when you press the "HOT WATER" button, the (red) "HOT" cycle indicator will be on and water temperature in the reservoir will be heated to 90°C/194°F (approximately 4 minutes). Once the water temperature reaches 90°C/194°F the (red) "HOT" cycle indicator will turn off and will remain off until the "HOT WATER" button is pressed again.

Normal Program:

When the PROGRAM button is released, it's under Normal operation mode and the (orange) NORM indicator light will displayed. During operation the (red) "HOT" cycle indicator will be on until the temperature of the water in the reservoir reaches 90°C/194°F (approximately 9 minutes). The (red) "HOT" cycle indicator will turn off and will remain off until the temperature of the water in the reservoir drops to 81°C/178°F at which time the (red) "HOT" cycle indicator will turn on and the cycle will start again.

When the unit is in "NORMAL PROGRAM" the "HOT WATER" button is non-functional.

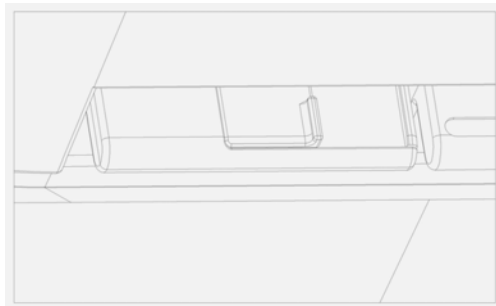
Cold Temp (Energy Saver / Normal Modes):

The cold water cycle is not affected by either program and continuously runs to maintain a cold water temperature between 7°C/44°F and 10°C/50°F. Once the “Cold Switch” at the rear of the unit is turned ON the (blue) “COLD” cycle indicator will be on until the temperature of the water in the reservoir drops to 7°C/44°F or less, the (blue) “COLD” cycle indicator will turn off and the cooling cycle will stop until the temperature reaches 10°C/50°F, at which time the (blue) “COLD” cycle indicator will turn on again and the cooling cycle will start again.

NOTE:
THE HOT WATER FAUCET HAS A CHILD-SAFETY GUARD ATTACHMENT.

To get hot water:

- ◆ Slide red safety button to the right and hold while pressing downward on hot water faucet to dispense hot water.
- ◆ Safety button will return to its original position when faucet is released.



CARE AND MAINTENANCE

- Wash the inside of the reservoir with a warm water and baking soda solution. The solution should be about 2 tablespoons of baking soda to a quart of water.
- The drip tray and water faucets should be cleaned with mild detergent and warm water.

TAKING DISPENSER OUT OF SERVICE

- If the water dispenser will not be used for a long period of time, turn both switches OFF (at the rear) and unplug the power cord from the wall outlet.
- Drain the water through the faucets.
- Drain the water from the tanks by removing the caps from the bottom of the dispenser.

WARNING—THE WATER COMING OUT OF THE BOTTOM MARKED “HOT WATER DRAIN” MAY BE SCOLDING.

PROBLEMS WITH YOUR WATER DISPENSER?

You can solve many common water dispenser problems easily, saving you the cost of a possible service call. Try the suggestions outlined below to see if you can solve the problem before calling the servicer.

TROUBLESHOOTING GUIDE

| PROBLEMS | POSSIBLE CAUSES |
|-----------------------------------|---|
| Water dispenser does not operate. | Not plugged in. The circuit breaker tripped or a blown fuse. |
| Water is not cold enough. | Check to be sure the COLD switch on the back is ON. Too much water has been drawn within a short period of time. If more than two 8 oz. Cups have been drawn within a 25 minute span, you will need to wait up to one hour to reach optimal temperature. |
| Water is not hot enough. | Check to be sure the HOT switch on the back is ON. Too much water has been drawn within a short period of time. If more than two 8 oz. Cups have been drawn within a 25 minute span, you will need to wait up to one hour to reach optimal temperature. |
| Vibrations. | Check to assure that the water dispenser is level. |

SERVICE FOR YOUR WATER DISPENSER

We are proud of our customer service organization and the network of professional service technicians that provide service on your Avanti appliances. With the purchase of your Avanti appliance, you can be confident that if you ever need additional information or assistance, the Avanti Products Customer Service team will be here for you. Just call us toll-free.

AVANTI PRODUCTS CUSTOMER SERVICES

| | |
|--|--|
| Product Information 800-323-5029 | Whatever your questions are about our products, help is available. |
| Part Orders 800-220-5570 | You may order parts and accessories that will be delivered directly to your home by personal check, money order, Master Card, or Visa. |
| In-Home Repair Service 800-220-5570 | An Avanti Products authorized service center will provide expert repair service, scheduled at a time that is convenient for you. Our trained servicers know your appliance inside and out. |

YOUR Avanti Products WARRANTY

Staple your sales receipt here. Proof of original purchase date is needed to obtain service under warranty.

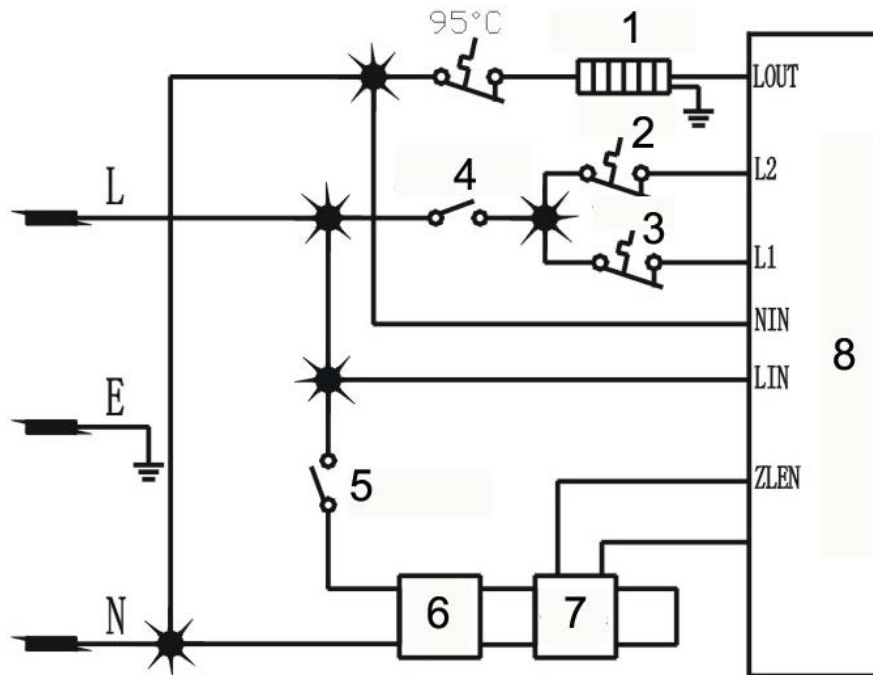
WHAT IS COVERED**LIMITED ONE-YEAR WARRANTY**

For one year from the date of purchase by the original owner, Avanti Products will, at its option, repair or replace any part of the appliance which proves to be defective in material or workmanship under normal use. During this period Avanti Products will provide all parts and labor necessary to correct such defects free of charge, so long as the appliance has been installed and operated in accordance with the written instructions in this manual. In rental or commercial use, the warranty period is 90 days.

WHAT IS NOT COVERED

- Incidental or consequential damages.
- Parts and labor costs for the following will not be considered as warranty:
 - Light bulbs and/or plastic housing.
 - Replacement of house fuses or resetting circuit breakers.
 - Repairs performed by unauthorized servicers.
 - Transportation of this product to and from the designated service facility is the responsibility of the consumer.
- Service calls that do not involve defects in material or workmanship such as customer education or improper installation.
- Service calls that are related to external problems, such as abuse, misuse, inadequate electrical power, accidents, fire, floods, or acts of God.
- Surcharges including, but not limited to, any after hour, weekend, or holiday service calls, tolls, ferry trip charges, or mileage expense for service calls to remote areas, including the State of Alaska.
- Failure of the product if it is used for other than its intended purpose.
- This warranty does not apply outside the continental U.S.A.

WIRING DIAGRAM



- | | | | |
|----------|--|----------|-------------------------------|
| 1 | Heater | 5 | Cooling Switch (Green) |
| 2 | Normal Thermostat (88°C/190°F) | 6 | Power Board |
| 3 | Energy Saving Thermostat (50°C/122°F) | 7 | Cooler |
| 4 | Heating Switch (Red) | 8 | LED Control Board |

INSTRUCCIONES EN ESPAÑOL

ADVERTENCIA

EL USO INCORRECTO DEL CABLE A TIERRA PUEDE OCASIONAR UN CHOQUE ELECTRICO. SI EL CORDON ESTA DAÑADO, REEMPLACELO EN UN CENTRO DE SERVICIOS AUTORIZADO POR AVANTI PRODUCTS.

PASOS RECOMENDADOS PARA CAMBIAR EL BOTELLON

- QUITA EL BOTELLON VACIO.
- LIMPIA EL CUELLO DEL BOTELLON NUEVO CON UN TRAPO LIMPIO.
- LEVANTA EL BOTELLON HACIENDO FUERZA CON LAS PIERNAS Y NO LA ESPALDA.
- TOMA EL BOTELLON POR LOS LADOS Y DIRIJA EL CUELLO DEL MISMO HACIA LA APERTURA DEL TANQUE.
- VOLTEA EL BOTELLON COMO SI FUERA A BOTAR AGUA E INSERTE EL CUELLO DEL BOTELLON EN LA APERTURA DEL TANQUE HASTA QUE SE COLOQUE EN LA POSICION CORRECTA.

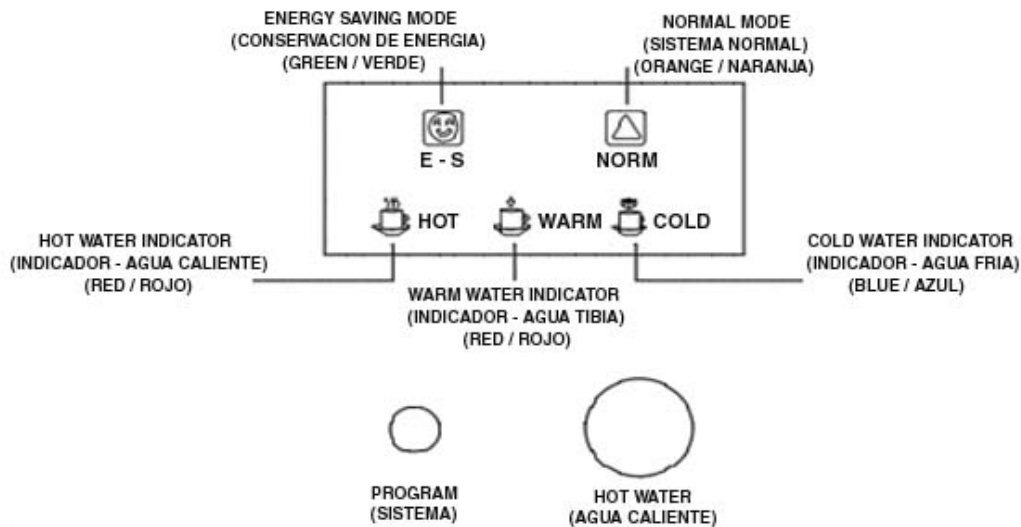
DIRECCIONES BASICAS DE OPERACION:

- COLOQUE EL ENFRIADOR DE PIE POR UN PERIODO DE 2 HORAS ANTES DE ENCHUFAR LA UNIDAD A LA PARED.
- COLOQUE EL ENFRIADOR EN UN AREA BIEN VENTILADA Y DEJE UN ESPACIO DE UN POCO MAS DE 2 PULGADAS ENTRE LA UNIDAD Y LA PARED.
- ESCOJA UN LUGAR CON PISO NIVELADO.
- NO COLOQUE EL ENFRIADOR DONDE LA TEMPERATURA AMBIENTAL PUEDA BAJAR DE 32°F (0°C).

ANTES DE ENCHUFARLO

AUNQUE EL ENFRIADOR SALE LIMPIO DE LA FABRICA, DEBE LIMPIAR Y ESTERILIZAR LOS CONDUCTOS DEL TANQUE Y LOS GRIFOS DE ACUERDO A LOS SIGUIENTES PASOS:

- LLENE EL TANQUE DE AGUA (HASTA EL TOPE) CON AGUA DE LA PILA.
- DEJE NIVELAR EL AGUA POR 5 MINUTOS.
- ENCHUFE LA UNIDAD A LA PARED.
- ENCIENDA LOS INTERRUPTORES DE AGUA CALIENTE Y FRIA LOCALIZADOS EN LA PARTE TRASERA DE LA UNIDAD.
- VACIE EL TANQUE COMPLETAMENTE ABRIENDO LAS TAPAS DE DRENAJE SITUADAS ABAJO DEL GABINETE. CIERRELAS. AHORA SU DISPENSADOR DE AGUA ESTA LISTO PARA USAR.



CONTROLES DE OPERACION

- **INDICADOR MARCADO E-S (CONSERVACION DE ENERGIA):**
 CUANDO UD PRESIONE EL BOTON MARCADO “PROGRAM”, LA UNIDAD OPERARA EN CONDICIONES DESIGNADAS PARA CONSERVAR ENERGIA. DURANTE ESTE PERIODO EL INDICADOR VERDE MARCADO “E-S” (CONSERVACION DE ENERGIA) SE ALUMBRARA EN LA PANTALLA.

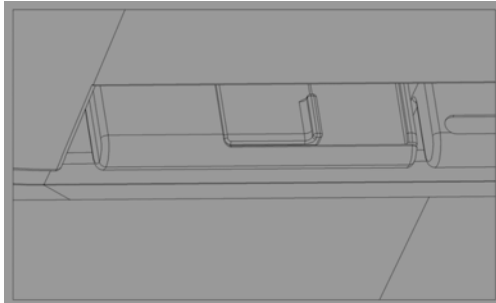
DURANTE LA OPERACION E-S, EL INDICADOR ROJO MARCADO “WARM” (TIBIO) SE ENCENDERA EN LA PANTALLA HASTA QUE EL AGUA ALCANCE LA TEMPERATURA DE 60°C/140°F (APROXIMADAMENTE EN 4 MINUTOS). EN ESE MOMENTO EL INDICADOR SE APAGARA TAN PRONTO EL AGUA EN EL TANQUE ALCANCE LOS 50°C/122°F, Y EL CICLO DE CALENTAMIENTO EMPEZARA DE NUEVO.

DURANTE LA OPERACION E-S, CUANDO UD PRESIONE EL BOTON MARCADO “HOT WATER” (AGUA CALIENTE), EL INDICADOR “HOT” (CALIENTE) SE ENCENDERA HASTA QUE EL AGUA ALCANCE LA TEMPERATURA DE 90°C/194°F (APROXIMADAMENTE 4 MINUTOS). EN ESE MOMENTO, EL INDICADOR SE APAGARA Y EL CICLO DE CALENTAMIENTO NO VOLVERA EMPEZAR HASTA QUE UD PRESIONE EL BOTON MARCADO “HOT WATER” (AGUA CALIENTE) DE NUEVO.

- **INDICADOR MARCADO “NORM” (SISTEMA NORMAL):**
 CUANDO UD PRESIONE EL BOTON MARCADO “PROGRAM”, EL INDICADOR COLOR NARANJA MARCADO “NORM” SE ENCENDERA EN LA PANTALLA Y LA UNIDAD OPERARA EN EL PROGRAMA NORMAL. EL INDICADOR “HOT” (CALIENTE) DE COLOR ROJO SE ENCENDERA HASTA QUE EL AGUA ALCANCE LA TEMPERATURA DE 90°C/194°F (APROXIMADAMENTE EN 9 MINUTOS). EN ESE MOMENTO, EL INDICADOR DE COLOR ROJO SE APAGARA TAN PRONTO EL AGUA EN EL TANQUE ALCANZE 81°C/178°F Y EL CICLO DE CALENTAMIENTO EMPEZARA DE NUEVO.
- **AGUA FRIA (CONSERVACION DE ENERGIA Y SISTEMA NORMAL):**
 ESTE CICLO DE ENFRIAMIENTO NO SERA AFECTADO POR ESTOS PROGRAMAS Y CONTINUARA FUNCIONANDO PARA MANTENER LA TEMPERATURA FRIA ENTRE 7°C/44°F Y 10°C/50°F. A LA VEZ QUE EL INTERRUPTOR MARCADO “COLD” (FRIO) EN LA PARTE TRASERA SE ENCIENDA, EL INDICADOR “COLD” DE COLOR AZUL SE

ENCENDERA EN LA PANTALLA Y EL CICLO FRIO CONTINUARA HASTA QUE LA TEMPERATURA ALCANCE LOS 7°C/44°F. EN ESE MOMENTO EL INDICADOR DE COLOR AZUL SE APAGARA TAN PRONTO EL AGUA EN EL TANQUE ALCANCE 10°C/50°F Y EL CICLO COMENZARA DE NUEVO.

**AVISO:
ESTE GRIFO DE AGUA CALIENTE TIENE UN ADAPTADOR DE SEGURIDAD PARA NIÑOS.**



PARA OBTENER AGUA CALIENTE:

- ◆ MUEVA EL BOTON DE SEGURIDAD HACIA LA DERECHA SIN SOLTARLO.
- ◆ MANTENGA AGARRADO ESE BOTON DE SEGURIDAD MIENTRAS QUE EMPUJE EL GRIFO HACIA ABAJO PARA DISPENSAR EL AGUA CALIENTE.
- ◆ CUANDO SUELTE EL GRIFO ASEGURESE DE RETORNARLO A LA POSICION ORIGINAL.

NOTA: SU ENFRIADOR FUE LIMPIADO Y ESTIRILIZADO ANTES DE SALIR DE LA FABRICA. EN CASO QUE SIENTA ALGUN SABOR EN EL AGUA, ECHE UNA CUCHARADA DE BICARBONATO DE SODIO Y AÑADA AGUA DE LA PILA. LLENE EL TANQUE Y REPITA LA OPERACION INICIAL.

MANTENIMIENTO

- ANTES DE EFECTUAR LA LIMPIEZA, DESENCHUFE EL ENFRIADOR.
- PARA LIMPIAR LAS PARTES DE PLASTICO SE REQUIERE JABON LIQUIDO Y AGUA TIBIA. NO USE LIMPIADORES ABRASIVOS EN LA SUPERFICIE SUPERIOR NI EN LA BANDEJA DE ESCURRIMIENTO.

SI NO VA A USAR EL ENFRIADOR POR UN TIEMPO PROLONGADO

- DESENCHUFE LA UNIDAD.
- QUITA EL BOTELLON DE AGUA.
- COLOQUE LOS INTERRUPTORES (10) Y (11) (EN LA PARTE TRASERA) EN LA POSICION "OFF". (APAGADO)
- DRENE EL AGUA ABRIENDO LAS LLAVES.
- DRENE LA APERTURA EN EL FONDO QUITANDO LOS TAPONES (14) Y (15).

CENTRO DE SERVICIOS

LA MAYORIA DE LOS PROBLEMAS SE RESUELVEN CON UNA SIMPLE LLAMADA TELEFONICA A NUESTRO NUMERO SIN CARGO.

1-800-220-5570

ANTES DE DEVOLVER EL PRODUCTO O PARA OBTENER LA DIRECCION Y NUMERO DE TELEFONO DEL CENTRO DE SERVICIO MAS CERCANO LLAME AL SIGUIENTE NUMERO.

1-800-220-5570

GUIA PARA RESOLVER PROBLEMAS

| POSIBLES PROBLEMAS | CAUSAS |
|--|---|
| DERRAME DE AGUA POR FUERA DEL ENFRIADOR. | LA BOTELLA ESTA PERFORADA – REEMPLACELA. |
| EL AGUA NO ESTA SUFICIENTEMENTE FRIA. | VERIFIQUE QUE EL INTERRUPTOR (COLD). ESTE EN POSICION “ON”. NO DIO SUFICIENTE TIEMPO PARA QUE ENFRIE EL AGUA. PARA REPONER DOS O MAS VASOS DE 8 oz. SE NECESITA APROXIMADAMENTE UNA HORA. |
| EL AGUA NO ESTA SUFICIENTEMENTE CALIENTE. | VERIFIQUE QUE EL INTERRUPTOR (HOT) ESTE EN POSICION “ON”. NO DIO SUFICIENTE TIEMPO PARA QUE CALIENTE EL AGUA. PARA REPONER DOS O MAS VASOS DE 8 oz. SE NECESITA APROXIMADAMENTE UNA HORA. |
| EL ENFRIADOR NO ENFRIA O CALIENTA EL AGUA. | VERIFIQUE LOS CIRCUITOS, FUSIBLES O DISYUNTORES. |
| VIBRACIONES | VERIFIQUE QUE EL ENFRIADOR ESTE EN UN PISO FIRME Y NIVELADO. |

PRINTED IN CHINA

(THIS PAGE WAS LEFT BLANK INTENTIONALLY)

REGISTRATION INFORMATION

Thank you for purchasing this fine Avanti product. Please fill out this card and return it within 100 days of purchase and receive these important benefits to the following address:

Avanti Products, A Division of the Mackle Co., Ltd.
P.O. Box 520604 – Miami, Florida 33152 USA

➤ **Protect your product:**

We will keep the model number and date of purchase of your new Avanti product on file to help you refer to this information in the event of an insurance claim such as fire or theft.

➤ **Promote better products:**

We value your input. Your responses will help us develop products designed to best meet your future needs.

------(detach here)-----

Avanti Registration Card

| | | | | |
|--|--------------------|-----------|--|-------------------------|
| Name _____ | | | Model # _____ | Serial # _____ |
| Address _____ | | | Date Purchased _____ | Store/Dealer Name _____ |
| City _____ | State _____ | Zip _____ | Occupation _____ | |
| Area Code _____ | Phone Number _____ | | <u>As Your Primary Residence, Do You:</u> <input type="checkbox"/> Own <input type="checkbox"/> Rent | |
| <u>Did You Purchase An Additional Warranty:</u> <input type="checkbox"/> Extended <input type="checkbox"/> None | | | <u>Your Age:</u> <input type="checkbox"/> under 18 <input type="checkbox"/> 18-25 <input type="checkbox"/> 26-30 <input type="checkbox"/> 31-35 <input type="checkbox"/> 36-50 <input type="checkbox"/> over 50 | |
| <u>Reason For Choosing This Avanti Product:</u> Please indicate the most important factors that influenced your decision to purchase this product. <input type="checkbox"/> Price <input type="checkbox"/> Product Features <input type="checkbox"/> Avanti Reputation <input type="checkbox"/> Product Quality <input type="checkbox"/> Salesperson Recommendation <input type="checkbox"/> Friend/Relative Recommendation <input type="checkbox"/> Warranty <input type="checkbox"/> Other _____ | | | <u>Marital Status:</u> <input type="checkbox"/> Married <input type="checkbox"/> Single <u>Is This Product Used In The:</u> <input type="checkbox"/> Home <input type="checkbox"/> Business <u>How Did You Learn About This Product:</u> <input type="checkbox"/> Advertising <input type="checkbox"/> In Store Demo <input type="checkbox"/> Personal Demo <input type="checkbox"/> Other _____ | |
| Comments _____ | | | Comments _____ | |
| _____ | | | _____ | |

(THIS PAGE WAS LEFT BLANK INTENTIONALLY)