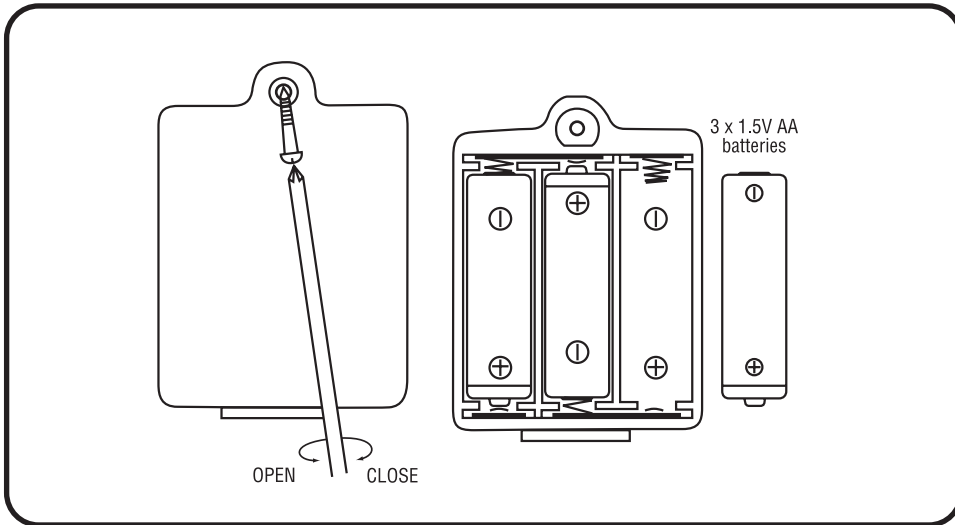


BATTERY INSTALLATION



IMPORTANT BATTERY INFORMATION

IMPORTANT BATTERY INFORMATION

- Batteries should always be replaced by an adult.
- Do not mix old and new batteries.
- Do not mix alkaline, standard (carbon-zinc), or rechargeable (nickel-cadmium) batteries.
- Different types of batteries or new and used batteries are not to be mixed.
- Do not use rechargeable batteries.
- Non-rechargeable batteries are not to be recharged.
- Only batteries of the same or equivalent type as recommended are to be used.
- Batteries are to be inserted with the correct polarity.
- Exhausted batteries are to be removed from this toy.
- The supply terminals are not to be short-circuited.
- Please retain this information for future reference.

CAUTION: Do not dispose of batteries in fire.

Batteries may explode or leak.



Wiggly Wiggly Dance Mat

INSTRUCTIONS



© 2004 The Wiggles Pty Limited. All rights reserved.
The Wiggles, The Wiggles logo, Wags the Dog, Henry the Octopus, Captain Feathersword,
Dorothy the Dinosaur and Big Red Car are trademarks of The Wiggles Pty Limited.

www.thewiggles.com



© 2004 Spin Master Ltd. All rights reserved.
Spin Master Ltd., 450 Front St. W., Toronto, ON M5V 1B6 Canada
Ph.: 1-800-622-8339 Fax: 416-364-8005 Web: www.spinmaster.com Email:
toys@spinmaster.com
Conforms to safety standards ASTM F963-03, EN71 regulatory requirements.
Products and colors may vary.
MADE IN CHINA. Item #24028 REV 0

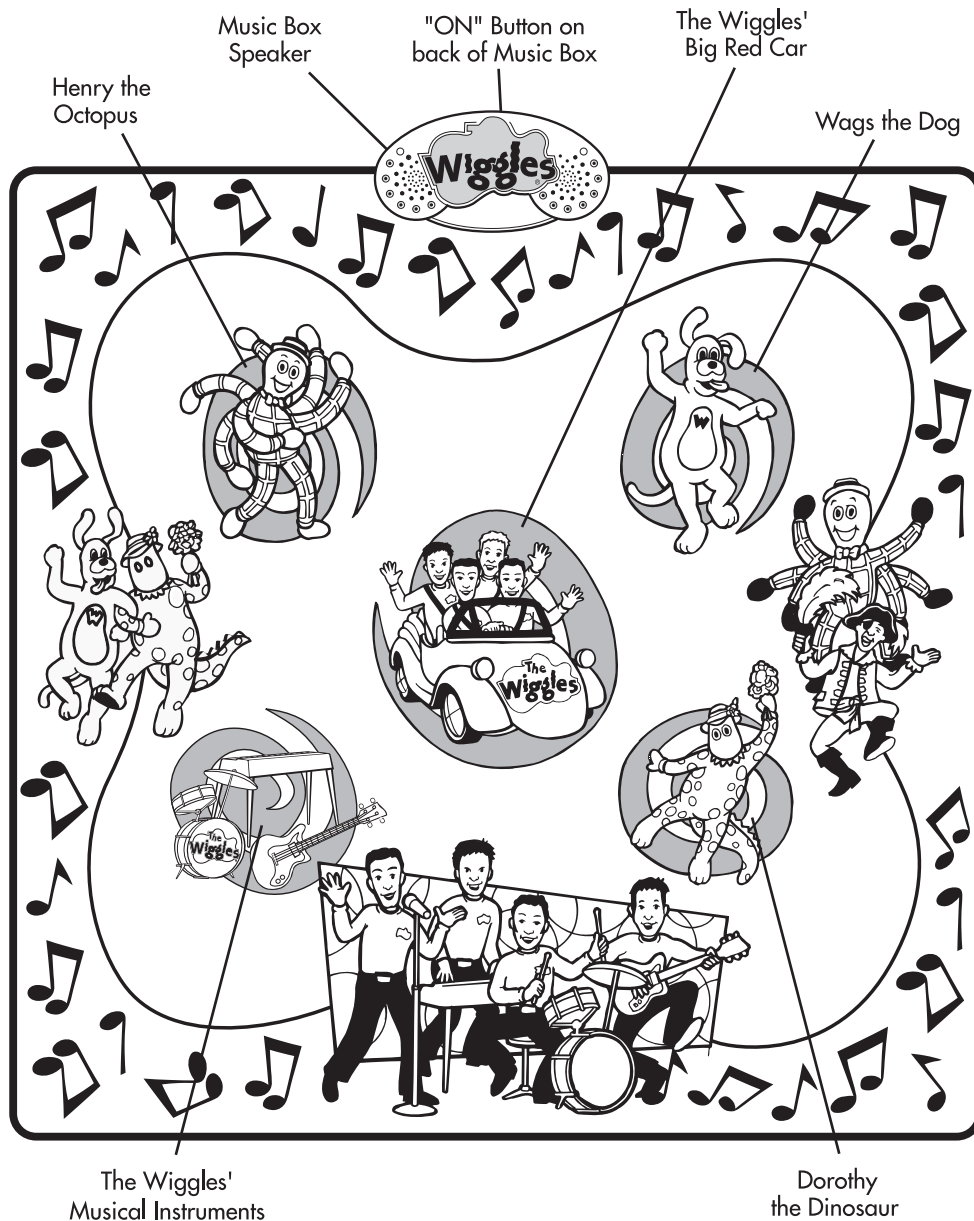


Thank you for purchasing the Wiggly, Wiggly Dance Mat.

Please read these instructions carefully before use, and keep for future reference.

Following these instructions will help you set up the Dance Mat safely for your child and help give the Dance Mat a long lasting life.

CONTENTS



GETTING STARTED

Setting Up The Wiggly, Wiggly Dance Mat

1. Lay the Dance Mat down with The Wiggles characters facing up.
2. Turn the Dance Mat ON. The power switch is located on the back of the music box.

CAUTION:

Make sure the mat is not laying on any sharp or slippery surfaces.
Clear the floor and surrounding area of any obstacles.

HAVING FUN DANCING TO THE WIGGLY BEAT!

Dance to the Wiggly Beat

To activate a "Wiggles" song, step on one of the dance activation spots:

- The Wiggles Big Red Car • Wags the Dog
- Dorothy the Dinosaur • Henry the Octopus
- The Wiggles' Musical Instruments

The Wiggles' Big Red Car Activation Spot:

- When you stand on the "The Wiggles' Big Red Car" spot, you will hear 1 of 5 Wiggles phrases, or the "Toot, Toot, Chugga, Chugga, Big Red Car" song will play.

The Wiggles' Band Instruments

- To hear a musical instrument play, step on the "The Wiggles' musical instruments" spot.

MAINTAINING YOUR DANCE MAT

1. Turn the Dance Mat "OFF" after each use. The power switch is located on the back of the Music Box.
2. Keeping the Dance Mat dry and clean will prolong the life of the Dance Mat.
3. The Dance Mat wipes clean with a soft sponge or cloth moistened with warm water and mild soap.

WARNING:

- Do not put water on or into the Music Box.
- Do not wash the Dance Mat in the washing machine.
- Allow the Dance Mat to dry flat before storing.