



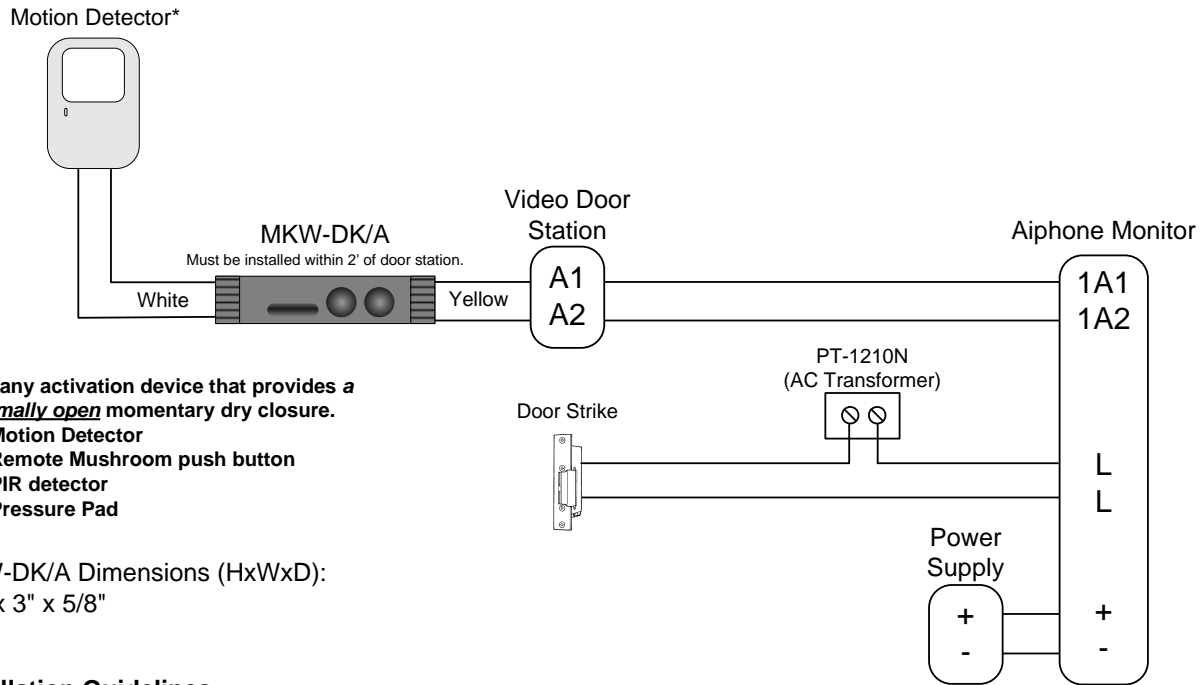
MKW-DK/A

Remote Activation Interface Adaptor for Video Door Stations

- INSTRUCTIONS -

The MKW-DK/A Adaptor allows any standard *motion detector or activation device with a normally open contact* to be interfaced with the JA, JF, or KC Series video door station. When the activation device is tripped, the camera will turn on, and a chime will be heard at the inside monitor station(s), indicating that there is some activity near the door station location.

WIRING DIAGRAM:



* Use any activation device that provides a **normally open** momentary dry closure.

- Motion Detector
- Remote Mushroom push button
- PIR detector
- Pressure Pad

MKW-DK/A Dimensions (HxWxD):
5/8" x 3" x 5/8"

Installation Guidelines:

1. The motion detector must provide a **normally open momentary contact**. A Photoelectric beam, pressure pad, or remote call button can also be used to activate the video door station.
2. MKW-DK/A must be installed within 2 feet of video door station. The unit is not weather resistant, so it should be installed in a protected enclosure, preferably in the box behind the video door station.
3. The MKW-DK/A can be used to connect a motion detector to all JA, JF, and KC Series video door stations. Contact Aiphone for information on getting remote activation on other video units.
4. The above diagram is representative of the installation of the MKW-DK/A to an Aiphone video system. Terminal designations on the monitor/adaptor will vary slightly depending on the system being installed.

Note:

For complete system installation, please refer to the instruction manuals included with the video system.

Aiphone Communication Systems
1700 130th Ave. N.E.
Bellevue, WA 98005
(425) 455-0510
FAX (425) 455-0071

Toll Free Technical Support:
1-800-692-0200
E-mail tech@aiphone.com

MKW-DK/A Instr.
0812JD