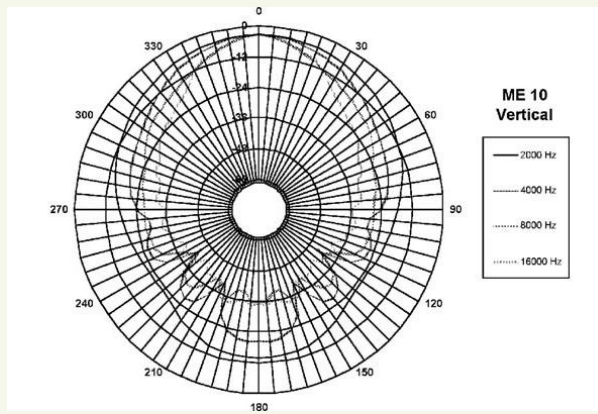
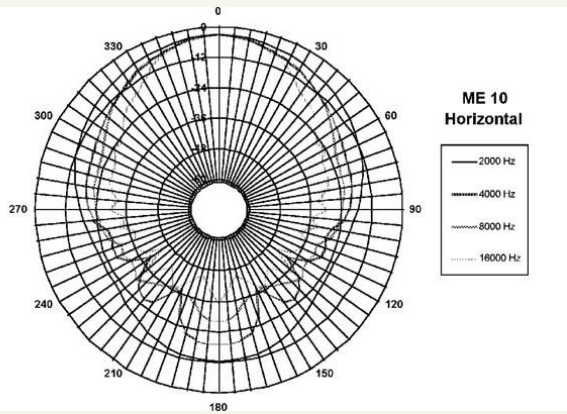




ME10

Horns

1" throat entry
 90° x 60° nominal coverage
 Hyperbolic cosine flare
 Very good loading down to 1.5 kHz



Specifications

| | |
|-----------------------------|---------------------------------------|
| Throat Diameter (1) | 25 mm (1 in) |
| Nominal Coverage Horizontal | 90° |
| Nominal Coverage Vertical | 60° |
| Cutoff Frequency | 1.5 kHz |
| Material | ABS |
| Dimensions | 130.5x130.5x90 mm (5.1x5.1x3.5 in) |

Mounting and Shipping Info

Four 6 mm (0.25 in) holes 90° on 76 mm (3 in) diameter

| | |
|---------------------------|---------------------------------------|
| Baffle Cutout Dimensions | 104x104 mm (4.1x4.1 in) |
| Net Weight (1 unit) | 0.15 kg (0.33 lb) |
| Shipping Weight (20 unit) | 6 kg (13.2 lb) |
| Shipping Box (20 unit) | 540x350x390 mm (21.2x13.8x15.3 in) |

¹Horn mounted on B&C DE10 compression driver

Horns
 HF Drivers
 Coaxials
 LF Nd Drivers
 LF Drivers