

Bushnell[®] HOLO[—] sight[®] XLP



Model: 53-0021
Lit. #: 98-0579/04-05

Instruction Manual

INTRODUCTION

The Bushnell® Holosight® XLP is based on advanced holographic technology. The Bushnell® Holosight® XLP enhances target acquisition, improves accuracy, and provides a high level of control within the shooting environment. This user manual describes the features of the Bushnell® Holosight® XLP and provides information on its use and maintenance. Please read the instructions carefully before mounting and using the sight and always practice proper firearm safety.

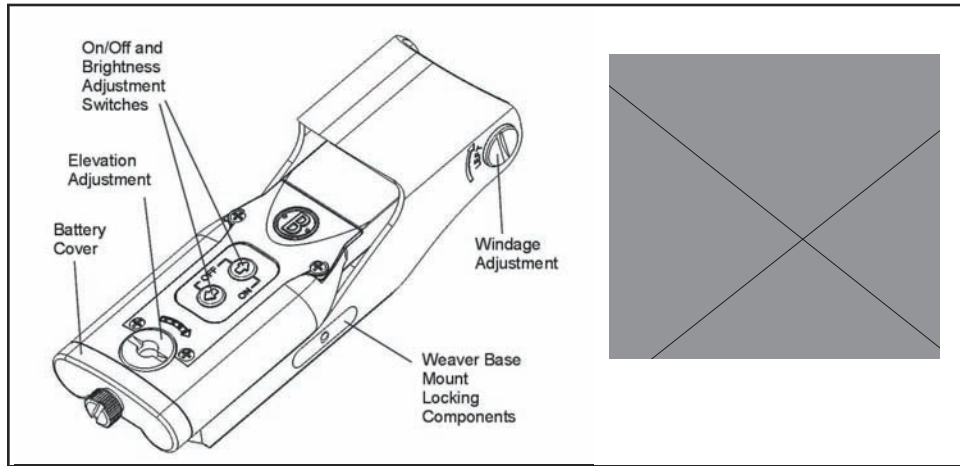
Included:

- Assembled Holographic Diffraction Sight including mounting hardware
- 7/64” hex wrench (Weaver Base mount)
- 1/8” hex wrench (12 gauge model 1100, 870 or 1187 Remington® or similar)

BASIC OPERATION

The Bushnell® Holosight® XLP uses a laser to create an illuminated hologram in the display window which appears as a virtual image of a reticle pattern. The reticle pattern appears to the user as a bright red image which is projected onto the target plane. No laser light is projected onto the target. Note that the Bushnell® Holosight® XLP has no magnification properties. Refer to Figure 1 for the user control or adjustment features locations. Refer to the MOUNTING section for installation instructions and correct placement on the gun.

FIGURE 1



BATTERIES

Two (2) Type AAA alkaline 1.5 V batteries are required to operate the Bushnell® Holosight® XLP. The Bushnell® Holosight® XLP is designed to maintain constant brightness at a particular setting even as the batteries drain through normal use. The reticle brightness will not fade gradually as the batteries drain, but will shut down abruptly. The first indication of the batteries draining is the reticle image blinking when the unit is turned on (see Electronic Features Section). Another indication of low batteries is the reticle image blinking off and on during recoil. With high recoil guns, this can occur before the battery check indicates low battery condition. If the reticle image blinks during recoil or turns off suddenly, replace the batteries. Read and follow the battery replacement and battery check procedures described in this Manual. Alkaline batteries are constructed differently by manufacturers. Tests show some brands are more susceptible to degradation by the shock of recoil. The use of Eveready Energizer® batteries with the Bushnell® Holosight® XLP is recommended.

INSTALLING OR REPLACING BATTERIES

To remove the battery compartment cover, rotate the battery cover knurled screw counterclockwise and carefully pull the cover away from the sight housing (Figure 2). After the battery cover is removed, slide the batteries out and replace them with a fresh set. The plus and minus signs next to the battery insertion area indicates the correct

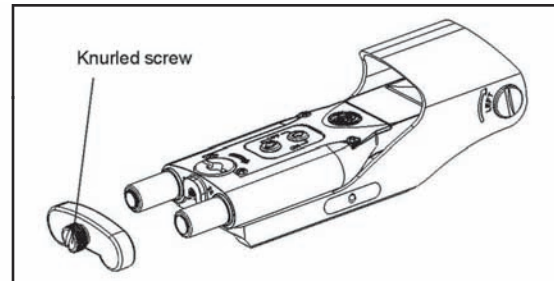


FIGURE 2

polarity of the exposed contact of the battery. Check the polarity of the battery to be installed and insert the battery so that the opposite polarity end goes into the battery compartment. To re-install the battery cover, reverse the steps taken to remove the cover. **DO NOT OVERTIGHTEN THE KNURLED SCREW.** Secure it with finger tightness only. Verify correct battery installation by turning on the sight and checking that the reticle image appears. If the batteries are left in the sight backwards, they will be drained of their power.

ELECTRONIC FEATURES

The Bushnell® Holosight® XLP controls are push-button switches located at the top of the unit as shown in Figure 1. To ensure proper operation of the push button switches, press the switch firmly. Audible and tactile feedback is provided when properly actuated.

1. ON/ Auto Battery Check

Pressing either the Up or Down push-button switch will turn the sight ON. If the Up arrow is used to turn the sight ON it will be set at an 8 hour shutdown mode. That is, if the unit is not re-adjusted for brightness for a period of 8 hours, it will turn off. If the Down arrow is used to turn the sight ON it will be set at a 4 hour shutdown mode. See step 4 under this section for description of Auto shutdown. The sight will automatically perform a battery check every time it is turned on. If the batteries have less than 20% of life left, the sight will turn on with the reticle image blinking on and off for 5 seconds. If the remaining battery life is more than 20%, the sight will turn on with a steady reticle pattern. The battery condition can be checked any time by turning the sight off and on.

2. OFF

To turn the sight off press both UP and DOWN push-button switches simultaneously. Verify that the unit is off by looking through the display window.

3. Brightness Adjustment

Push-button switches vary the brightness intensity of the holographic reticle image. Pressing and releasing the push-button switch moves the brightness level UP or DOWN one (1) step from the previous setting. Pressing and holding the Up or Down push-button switch will change the brightness level up or down continuously. There are fifteen (15) brightness settings providing a dynamic range of 100,000:1 from the lowest setting to the highest setting. When the sight is turned ON, the brightness intensity level is at Level 10.

4. Auto Shutdown

The Bushnell® Holosight® XLP is equipped with an auto shutdown feature and will automatically shut itself OFF 8 or 4 hours after the last push-button control is used. This is determined by the method used to turn it ON in step 1.

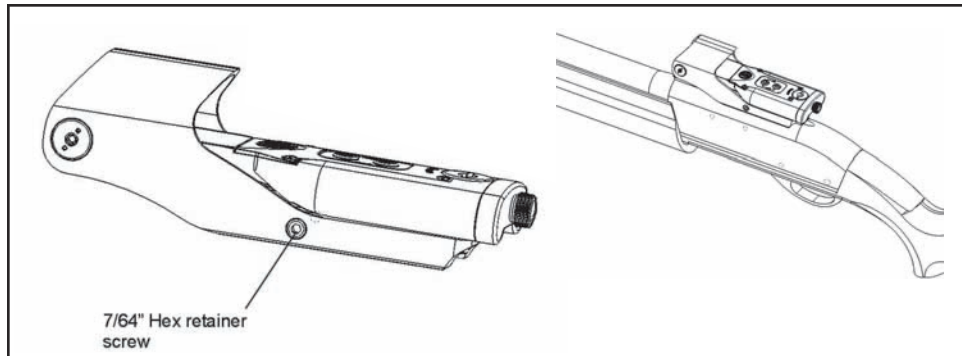
MOUNTING

The Bushnell® Holosight® XLP is equipped with mounting hardware to attach to a Weaver-style rail or to a 12 gauge model 1100, 870 or 1187 Remington® shotgun. To achieve the best results and accuracy, the Bushnell® Holosight® XLP must be mounted properly. For the Weaver-style rail mount, the base must be parallel to the bore to achieve the maximum elevation and windage adjustments.

To mount the sight to a Weaver-style rail, follow these steps, refer to Figure 3:

1. Loosen the 7/64" hex retainer screw that secures the clamp.
2. Place the sight onto the rail such that the unthreaded portion of the cross bolt is fitted into a groove on the top of the Weaver-style rail. The user's preference and the firearm will determine the optimal front to back position on the rail.
3. With the cross bolt inserted fully into the rail's groove, push the sight as far forward as possible.
4. Tighten the hex retainer screw to draw the retainer nut into secure and fully seated contact with the opposite side of the rail.

FIGURE 3

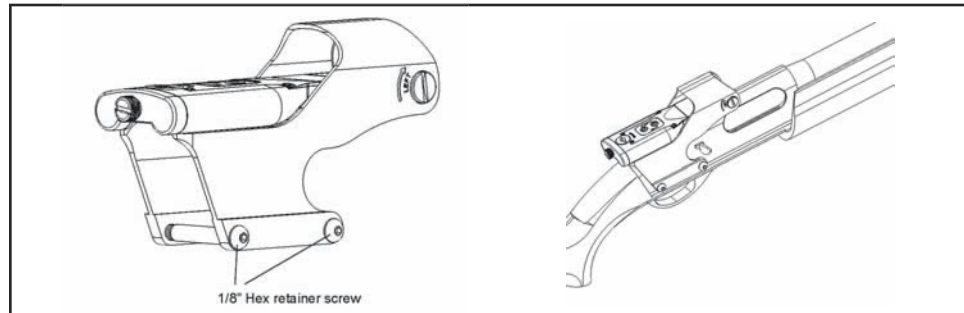


NOTE: Loosen the retaining screw just enough to mount or remove the sight. It is not necessary to remove the screw completely, as the lock hardware will not be retained in the sight and could be lost.

To mount the sight to a 12 gauge Remington model 870, 1100 or 1187 shotgun, follow these steps, refer to Figure 4:

1. Remove the two through-pins from the shotgun.
2. Remove the two 1/8" hex retainer screws from the sight.
3. Place the sight onto the shotgun.
4. Re-install the two hex head screws through the sight and shotgun.
5. Tighten the two hex retainer screws to secure the sight to the shotgun.

FIGURE 4



BORE SIGHTING AND ZEROING

Bore sighting is a good preliminary procedure in achieving proper alignment of your sight to the firearm. If the sight is to be mounted to a Weaver-style rail, it is imperative that the base be parallel to the bore. Any major elevation adjustments may be accomplished by shimming the Weaver-style rail. It is important not to use the elevation adjustment of the sight for major adjustments. The sight's elevation and windage adjustments should be used only for fine-tuning to achieve zero at the desired shooting distance. Final zeroing of your firearm and sight should be done with live ammunition.

WINDAGE AND ELEVATION ADJUSTMENTS

The Bushnell® Holosight® XLP has rotating adjustment features for elevation and windage adjustments. The feature at the back of the sight is the elevation adjustment and the feature at the front side of the sight is the windage adjustment. Both of the adjustment features have a slotted head that requires the use of a screwdriver, coin, or similar tool to rotate.

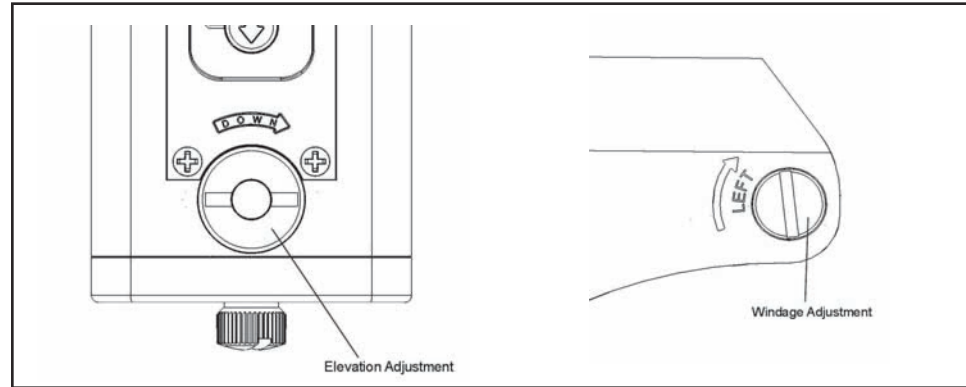
The elevation and windage adjustments are shown in Figure 5. For both elevation and windage, each click will change the bullet's point of impact 1/2 Minute of Angle (MOA), which translates to 1/4 inch at 50 yards, 1/2 inch at 100 yards. Also, one full rotation of either knob will change your point of impact 15 MOA. This translates into 8 inches at 50 yards, 15 inches at 100 yards. To move the point of impact UP, turn the adjustment counterclockwise; to move the point of impact DOWN, turn the adjustment screw clockwise. To move the point of impact RIGHT, turn the adjustment screw counterclockwise; to move the point of impact LEFT, turn the adjustment screw clockwise. The elevation and windage adjustments have been initially set at the factory near the midpoint of their adjustment ranges as well as parallel to the rail, and should be close to zero with a properly installed sight and mounting rail. Do not

make adjustments before mounting the sight on the firearm. Be sure to check that the mount and the sight remain fully secured after the first 2 to 3 shots.



CAUTION-When a sudden increase in resistance in the adjustment screw is felt, the end of the adjustment range has been reached. DO NOT try to turn the adjustments any further or damage may occur to the sight.

FIGURE 5

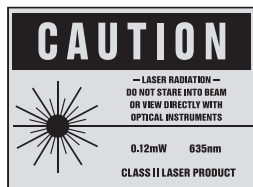


MAINTENANCE AND CARE

1. The holographic image glass is coated with anti-reflection material. When cleaning the glass surfaces, first remove any dirt and dust with compressed air or by blowing on the glass surfaces. Fingerprints or lubricants can be wiped off with lens tissue or a soft cotton cloth, moistened with lens cleaning fluid or glass cleaner. ***Never clean the glass surface with a dry cloth or paper towel; always dampen the glass surfaces prior to cleaning.***
2. All moving parts of the sight are permanently lubricated. Do not try to lubricate them.
3. No maintenance is needed on the sight's surface, except to occasionally wipe off with a soft cloth. Use only a water-based cleaner such as glass cleaner, ammonia, or soap and water. Never use any solvent-type cleaner such as alcohol or acetone.
4. Never disassemble the sight. The optical cavity is nitrogen filled and sealed. Disassembly will void the warranty.

LASER SAFETY

The Bushnell® Holosight® XLP is a Class II laser product. The laser's illuminating beam, however, is contained within the housing. The only laser light accessible to the eye is at a power level within the limit of a Class IIa laser product. The laser's illuminating beam can become accessible to the eye if the housing is broken. Turn the sight off immediately and discontinue use until repaired.



WARRANTY / REPAIR

TWO-YEAR LIMITED WARRANTY

Your Bushnell® product is warranted to be free of defects in materials and workmanship for two years after the date of purchase. In the event of a defect under this warranty, we will, at our option, repair or replace the product, provided that you return the product postage prepaid. This warranty does not cover damages caused by misuse, improper handling, installation, or maintenance provided by someone other than a Bushnell Authorized Service Department.

Any return made under this warranty must be accompanied by the items listed below:

- 1) A check/money order in the amount of \$15.00 (USD) to cover the cost of postage and handling
- 2) Name and address for product return
- 3) An explanation of the defect
- 4) Proof of Date Purchased
- 5) Product should be well packed in a sturdy outside shipping carton, to prevent damage in transit, with return postage prepaid to the address listed below:

IN U.S.A. Send To:

Bushnell Performance Optics
Attn.: Repairs
8500 Marshall Drive
Lenexa, Kansas 66214

IN CANADA Send To:

Bushnell Performance Optics
Attn.: Repairs
25A East Pearce Street, Unit 1
Richmond Hill, Ontario L4B 2M9

For products purchased outside the United States or Canada please contact your local dealer for applicable warranty information. In Europe you may also contact Bushnell at:

BUSHNELL Performance Optics
GmbH European Service Centre
MORSESTRASSE 4
D- 50769 KÖLN
GERMANY
Tél: +49 (0) 221 709 939 3
Fax: +49 (0) 221 709 939 8

This warranty gives you specific legal rights. You may have other rights which vary from country to country.

© 2005 Bushnell Performance Optics

FCC COMPLIANCE

The Bushnell® Holosight® XLP complies with Part 15b of the FCC Rules. Operation is subject to the following conditions: (1) this device may not cause harmful interference and (2) this device must accept any interference received, including interference that may cause undesired operation.

Bushnell[®]

©2005 Bushnell Performance Optics
www.bushnell.com