

# User manual



**Welcome to the world of Electrolux**

Thank you for choosing a first class product from Electrolux, which hopefully will provide you with lots of pleasure in the future. The Electrolux ambition is to offer a wide variety of quality products that make your life more comfortable. You find some examples on the cover in this manual. Please take a few minutes to study this manual so that you can take advantage of the benefits of your new machine. We promise that it will provide a superior User Experience delivering Ease-of-Mind. Good luck!

# Contents

GB

Safety warnings .....	5
Description of the Appliance .....	7
Control Panel .....	8
Maintenance and Care .....	10
Special accessories .....	15
Something Not Working .....	15
Installation .....	16

The following symbols are used in this user manual:



Important information concerning your personal safety and information on how to avoid damaging the appliance.



General information and tips.



Environmental information.



## Safety warnings

- When used as an extractor unit, the hood must be fitted with a hose having preferably the same diameter as the outlet hole.
- Should there already be a pipe of diameter 125 or 120 mm that ducts to the outside through the walls, it is possible to use the 150/125-120 mm reduction flange provided. In this case the hood will be slightly noisier.

**Attention:** The hose is not supplied and must be purchased separately.



- The distance between the cookware support surface on top of the cooking appliance and the lowest part of the cooker hood must be at least **40 cm** for electric cookers or, where a gas hob is fitted,

**if the cooker hood is the 60 cm size (EFC 6441 model):**

installation above a 60 cm gas hob - minimum distance 40 cm  
 installation above a 70 cm gas hob - minimum distance 55 cm  
 installation above gas hobs larger than 70 cm is not possible

**if the cooker hood is the 90 cm size (EFC 9441 model):**

installation above a 60 cm or 70 cm gas hob - minimum distance 40 cm

installation above gas hobs larger than 70 cm - minimum distance 55 cm

If the instructions for installation for the gas hob specify a greater distance, this must be adhered to.

- Before any cleaning or maintenance operation, disconnect the hood from the mains by removing the plug or disconnecting the home mains switch.
- The appliance is not intended for use by children or persons with impaired physical, sensorial or mental faculties, or if lacking in experience or know-how, unless they are under supervision or have been trained in the use of the appliance by a person responsible for their safety.
- Children should be monitored to ensure that they do not play with the appliance.
- Never use the hood without effectively mounted grating.!
- The hood must NEVER be used as a support surface unless specifically indicated.
- The premises must be sufficiently ventilated, when the kitchen hood is used together with other gas combustion devices or other fuels.
- The suctioned air must not be conveyed into a conduit used for the disposal of the fumes generated by appliances that combust gases or other fuels.
- The flaming of foods beneath the hood itself is severely prohibited.

## 6 **electrolux** safety warnings

GB


- The use of exposed flames is detrimental to the filters and may cause a fire risk, and must therefore be avoided in all circumstances.
- Any frying must be done with care in order to make sure that the oil does not overheat and burst into flames.
- As regards the technical and safety measures to be adopted for fume discharging it is important to closely follow the relations provided by the competent authorities.
- The hood must be regularly cleaned on both the inside and outside (AT LEAST ONCE A MONTH, it is in any event necessary to proceed in accordance with the maintenance instructions provided in this manual)..
- Failure to follow the instructions as concerns hood and filter cleaning will lead to the risk of fires.
- Do not use or leave the hood without the lamp correctly mounted because of the possible risk of electric shocks.
- We decline any responsibility for any problems, damage or fires caused to the appliance as the result of the non-observance of the instructions included in this manual.



This appliance is marked according to the European directive 2002/96/EC on Waste Electrical and Electronic Equipment (WEEE).

By ensuring this product is disposed of correctly, you will help prevent potential negative consequences for the environment and human health, which could otherwise be caused by inappropriate waste handling of this product.



The symbol  on the product, or on the documents accompanying the product, indicates that this appliance may not be treated as household waste. Instead it shall be handed over to the applicable collection point for the recycling of electrical and electronic equipment.

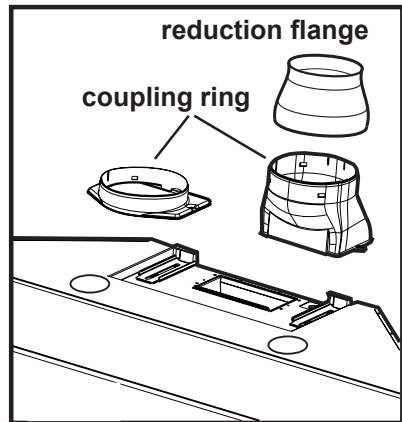
Disposal must be carried out in accordance with local environmental regulations for waste disposal. For more detailed information about treatment, recovery and recycling of this product, please contact your local city office, your household waste disposal service or the shop where you purchased the product.

## Description of the Appliance

- The cooker hood is supplied ready for use as a recirculation hood and may be used for extraction by removing the charcoal filter which has been fitted inside the cooker hood.

### Extraction mode

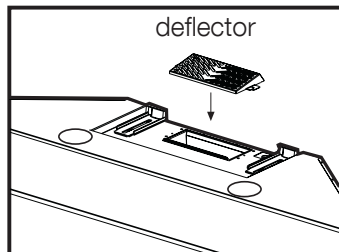
- In this mode fumes are extracted to the outside via a **hose** connected to the **coupling ring**.
- In order to obtain the best performance the hose should have a diameter equal to the outlet hole.
- Should there already be a pipe of diameter 125 or 120 mm that ducts to the outside through the walls, it is possible to use the 150/125-120 mm reduction flange provided. In this case the hood will be slightly noisier.



### Recirculation mode



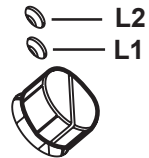
- The air is filtered through a **charcoal filter** and returned to the kitchen.
- You will need an original charcoal filter for the recirculation mode. (See Special Accessories).
- Fix the deflector using 2 screws  $\varnothing$  3.5x9.5 mm.



## Control Panel

GB

- Best results are obtained by using a low speed for normal conditions and a high speed when odours are more concentrated.  
Turn the hood on a few minutes before you start cooking.  
The hood should be left on after cooking for about 15 minutes or until all the odours have disappeared.
- The hood can also be commanded from the control panel or the remote control. (the remote control is a special accessory and is ordered separately).
- The control panel consists of a knob and 2 LEDs; it is located at the bottom right-hand side of the cooker hood.



- **Hob light:**  
Press the knob briefly to select the various options, in the following sequence:  
Full power lighting - Soft lighting - No lighting.
- **Room lighting:**  
Press and hold the knob to switch the room lighting on and off.
- **To select an available suction speed (power) level:**  
Turn the knob in a clockwise direction to increase the suction speed (power); turn it in an anticlockwise direction to decrease the power until the hob is switched off.  
The cooker hood is fitted with an LED (L1) which indicates the suction speed (power) selected by displaying different colours:
- **Light off:**  
Suction motor switched off.
- **Fixed green light:**  
Cooker hood operating at power level 1 (minimum).
- **Fixed orange light:**  
Cooker hood operating at power level 2 (medium).
- **Fixed red light:**  
Cooker hood operating at power level 3 (maximum).
- **Flashing red light:**  
Cooker hood operating at an intensive power level (for a duration of 5 minutes, after which the appliance automatically selects power level 3).



## Filter checking device

The cooker hood is fitted with a device which indicates when the filter must be cleaned or replaced. Usually the device, which signals when the carbon filter needs maintenance work, is **deactivated**. To activate it, proceed as follows: Switch off the cooker hood. Press the knob and rotate it by 90° in a clockwise direction. The **L2** LED begins to flash in green and after approximately 2 seconds the **L2** LED will also begin to flash in orange, to indicate that the device, which indicates when it is necessary to perform carbon filter maintenance, has been **activated**.

## L2 LED - grease filter indicator

The LED lights up in green when the grease filter needs to be cleaned; this happens approximately every 40 hours of operation. Every time the cooker hood is used, check whether the **L2** LED is lit.

## L2 LED - carbon filter indicator

The LED lights up in orange when the carbon filter needs to be cleaned/replaced; this happens approximately every 160 hours of operation. Every time the cooker hood is used, check whether the **L2** LED is lit.

## Resetting the filter saturation warning

After cleaning or replacing the filters, switch on the cooker hood at any suction speed (power), then press and hold the knob for more than 3 seconds, until you hear a beep indicating that the reset procedure has been performed successfully. The **L2** LED and the cooker hood both switch off. In some situations (for example, when the **L2** LED is indicating that the grease filters and the carbon filter are saturated), the procedure described above must be repeated.

## Maintenance and Care

GB

- Before performing any maintenance operation, isolate the hood from the electrical supply by switching off at the connector and removing the connector fuse.

Or if the appliance has been connected through a plug and socket, then the plug must be removed from the socket.

### Metal grease filter

- The purpose of the grease filters is to absorb grease particles which form during cooking and it **must** always be used, either in the external extraction or internal re-circulation function.



**Attention:** the metal grease filters must be removed and washed, either by hand or in the dishwasher, every 4 weeks.



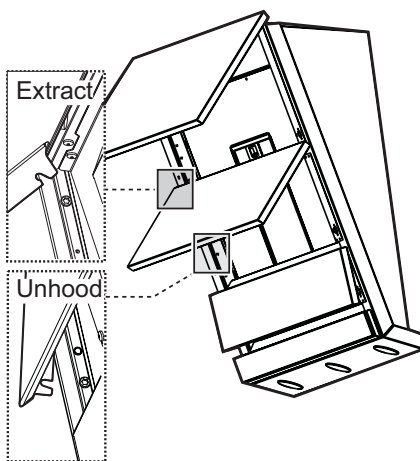
The front panels should also be washed by hand every 4 weeks using a neutral liquid detergent. Do not use aggressive detergents.

- To access the grease filter, first remove the front panels which conceal the grease filter.

### Removing the front panels:

Extract the small panel, rotate upwards and unhook.

Repeat the operation for all the small panels.



## Removing the metal grease filter

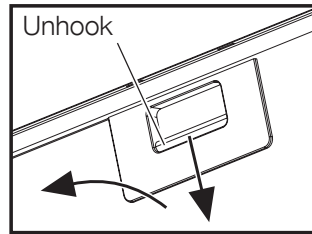
Pull the handle downwards, then extract the filter.

## Hand washing

Soak grease filters for about one hour in hot water with a grease-loosening cleaner, then rinse off thoroughly with hot water. Repeat the process if necessary. Refit the grease filters when they are dry.

## Dishwasher

Place grease filters in the dishwasher. Select most powerful washing programme and highest temperature, at least 65°C. Repeat the process. Refit the grease filters when they are dry.



When washing the metal grease filter in the dishwasher a slight discolouration of the filter can occur, this does not have any impact on its performance.



- Clean the inner housing using a hand hot solution only (never use caustic detergents, abrasive powders or brushes).

## Charcoal filter

- The charcoal filter should only be used if you want to use the hood in recirculation mode.
- To do this you will need an original charcoal filter (available from your local Service Force Centre).
- **Cleaning/replacing the charcoal filter**



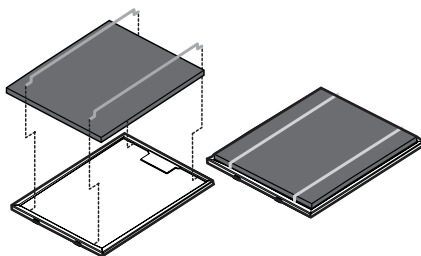
Unlike other charcoal filters, the **LONGLIFE** charcoal filter can be cleaned and reactivated.



With normal use the filter should be cleaned every second month (when using the hood 2,5 hours per day, on average). The best way to clean the filter is in the dishwasher. Use normal detergent and choose the highest temperature (65° C). Wash the filter separately so that no food parts gets stuck on the filter and later causes bad odours. To reactivate the charcoal, the filter should be dried in an oven for 10 minutes with a maximum temperature of 100° C.

After approximately three years of use, the charcoal filter should be replaced with a new one, as the odour reduction capacity will be reduced.

## • Fitting



Fit the charcoal filter on the rear side of the grease filter, fix it with metal wires.



The metal wires are included in the carbon filter packing and not on the hood

- **To remove** proceed in the reverse order.



- Always specify the hood model code number and serial number when ordering replacement filters. This information is shown on the rating plate located on the inside of the unit.
- The charcoal filter can be ordered from your local Service Force Centre.



**EFC 6441:** 1 carbon filter should be ordered for this model.

**EFC 9441:** 2 carbon filters should be ordered for this model.

## Warning



- Failure to observe the instructions on cleaning the unit and changing the filters will cause a fire hazard. You are therefore strongly recommended to follow these instructions.
- The manufacturer declines all responsibility for any damage to the motor or any fire damage linked to inappropriate maintenance or failure to observe the above safety recommendations.

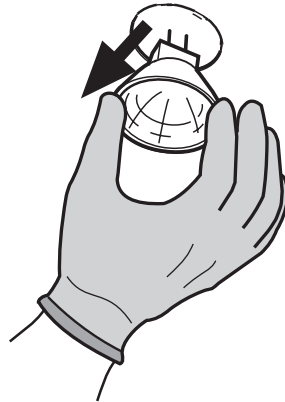
## Changing the light bulb(s)



- **Disconnect the cooker hood from the mains supply.**
- **Prior to touching the light bulbs ensure they are cooled down.**
- Remove the damaged lamp.
- Replace the old bulb with a new one of the same type.



- If the light does not come on, make sure the bulb has been inserted in correctly before contacting your local Service Force Centre.



## Cleaning the hood

GB



- Clean the outside of the hood using a damp cloth and a solution of water and mild washing up liquid.
- Never use corrosive, abrasive or flammable cleaning products or products containing bleach.
- Never insert pointed objects in the motor's protective grid.
- Only ever clean the switch panel and filter grill using a damp cloth and mild washing up liquid.
- Clean all the plastic parts with a soft cloth soaked in warm water and neutral soap.
- It is extremely important to clean the unit and change the filters at the recommended intervals. Failure to do so will cause grease deposits to build up that could constitute a fire hazard.

## Special accessories

**Charcoal filter** Type 14

**Remote control** RM 7000

**Inox Telescopic chimney** K 8004 M

**Aluminium Telescopic chimney** (for extraction mode only) K 8004-A

## Something Not Working

If your appliance fails to work properly please carry out the following checks.

Symptom	Solution
The cooker hood will not start...	<b>Check that:</b> The hood is connected to the electricity supply. Check that a fan speed has been selected.
The cooker hood is not working	<b>Check that:</b> The fan speed is set high enough for the task. The grease filters are clean. The kitchen is adequately vented to allow the entry of fresh air. If set up for recirculation, check that the charcoal filter is still effective. If set up for extraction, check that the ducting and outlets are not blocked.
The cooker hood has switched off during operation...	The safety cut-out device has been tripped. Turn off the hob and then wait for the device to reset. If the hood has been installed below the heights indicated in the installation instructions the motor will cut-out frequently which will damage the hood.

If after all these checks, the problem persists, contact your local Service Centre, quoting the model and serial number.

Please note that it will be necessary to provide proof of purchase for any in-guarantee service calls.

In-guarantee customers should ensure that the above checks have been made as the engineer will make a charge if the fault is not a mechanical or electrical breakdown.

# Installation

GB

## Technical Details

	<b>EFC 6441</b>	<b>EFC 9441</b>
<b>Dimensions (in cm):</b>		
Height :	65	65
Width:	59,8	89,8
Depth:	30,4	30,4
<b>Maximum absorbed power:</b>	<b>255 W</b>	<b>275 W</b>
Motor:	175 W	175 W
Lighting:	4 x 20 W	5 x 20 W
<b>Length of the cable:</b>	<b>150 cm</b>	<b>150 cm</b>
<b>Electrical connection:</b>	<b>220 - 240 V</b>	<b>220 - 240 V</b>
<b>Fuse rating:</b>	<b>5AT</b>	<b>5AT</b>

## Mounting accessories included

1 deflector
1 fixing bracket for motor unit
2 flange Ø 150 mm (tall and short)
4 screws 5 x 45 mm
4 dowels Ø 8 mm
2 screws M5x18
2 screws 3.5 x 9.5
2 screws 3.5 x 32
2 caps
1 rubber strip
2 spacers
2 screwdriver bits (for TORX screws)
1 reduction flange



## Electrical connection



### Safety warnings for the electrician

The mains power supply must correspond to the rating indicated on the plate situated inside the hood. If provided with a plug connect the hood to a socket in compliance with current regulations and positioned in an accessible area. If it not fitted with a plug (direct mains connection) or if the plug is not located in an accessible area apply a bi-polar switch in accordance with standards which assures the complete disconnection of the mains under conditions relating to over-current category III, in accordance with installation instructions.

**IMPORTANT!** Before re-connecting the hood circuit to the mains supply and checking the efficient function, always check that the mains cable is correctly assembled.

**IMPORTANT!** Power cable replacement must be undertaken by the authorised service assistance centre or similar qualified person.

## Installation

GB



**Make sure that the cooker hood is disconnected from the power supply before carrying out the installation.**



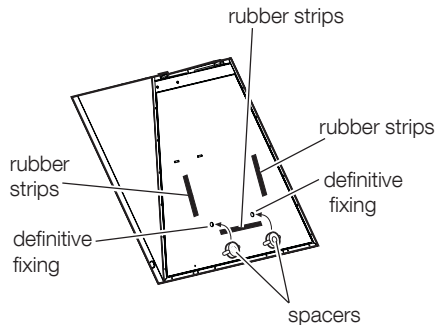
The hood is supplied with halogen bulbs, above and below. Foresee sufficient space between the hood and the kitchen furniture in order to avoid the bulbs and the furniture panels overheating.

Also leave sufficient space to allow opening and removing the front panels.

- Place the three rubber strips on the back of the cooker hood.

Where necessary mount the two spacers provided on the drill holes for definitive fixing.

The spacers are useful when the wall which is to house the cooker hood is not perfectly vertical (for example: where it is partially covered with wall tiles).



- Mark the wall with a centre line, this will aid mounting procedure (1), position the template so that the mid line printed on the template matches with the centre line previously marked, the lower side of the template corresponds to the lower side of the hood once mounted (2).
- Drill two holes  $\varnothing$  8mm and fix the support bracket with two wall plugs and screws (3).
- Remove the front panels (see paragraph "Removing the front panels") and the grease filter.
- Hang the hood (4) adjust its position (5-6) and from the inside of the hood sign two points for definitive fixing (7), remove the hood and drill two holes  $\varnothing$  8mm (8), fit two wall plugs, hang the hood again and fix it securely with two screws (9). Cover the drill holes for screws with the two screw caps provided.
- Make electrical connection (10), but leave the hood disconnected from the home mains circuit.
- In the case that it is decided to use the cooker hood in the mains circuit, then place one of the two flanges provided in the exit hole (11 – Extraction). Attention! The tall flange should be used when a telescopic chimney is required to be mounted (this item should be ordered – see special accessories), the short flange is to be used in all other cases.
- Remount the grease filter and the front panels (12a-b-c).

