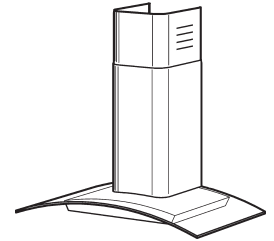


# K7388 SERIES RANGE HOODS



A hand-formed, gently curving glass canopy creates a dramatic, contemporary appearance and an open, airy feel.

### FEATURES

- Italian design
- Wall mount
- Finishes: 430 Stainless Steel #4 Brushed
- Width: 35-7/16"
- Ducted/non-ducted telescopic flue accommodates 8' to 9' ceilings
- 6" round duct connector/backdraft damper
- Halogen lighting (2 x 20 watt, 12V, Type JC 12V 20W G4 Base) with multilevels from bright cooktop illumination to a low nighttime setting (bulbs included)
- Advanced, electronic push-button controls feature delay shutoff
- Quiet, variable-speed centrifugal blower with high-efficiency motor produces 450 CFM of exhaust
- Four-speed motor controls include an optimum blower memory setting for everyday use
- Delay timer control automatically shuts off range hood after five minutes
- Special control indicates when it's time to clean the filter
- Can be ducted to the outside or non-ducted for indoor recirculation (purchase recirculation kit separately)
- Dishwasher-safe filter features a quick-release latch and decorative cover plate
- Heat Sentry™ - automatically turns blower to high speed when excess cooking heat is detected

### OPTIONS

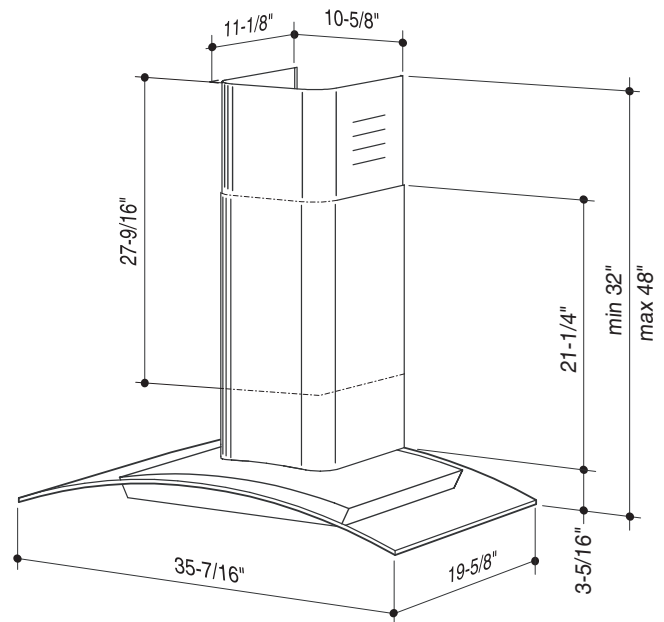
- Backsplash available (Contact Broan Technical Support)
- Replacement grease filters available
- Non-ducted recirculation kit (Model NDK7388)
- Flue extension for 10' ceiling (for ducted applications) (Model FEXTK7388SS) (35-1/2" long)
- Replacement charcoal filters available (Model FILTERSQUARE)
- Replacement bulb (Part No. SB02300891)

### SPECIFICATIONS

VOLTS	AMPS	CFM	SONES	DUCT
120	3.13	450	9.0	6" round



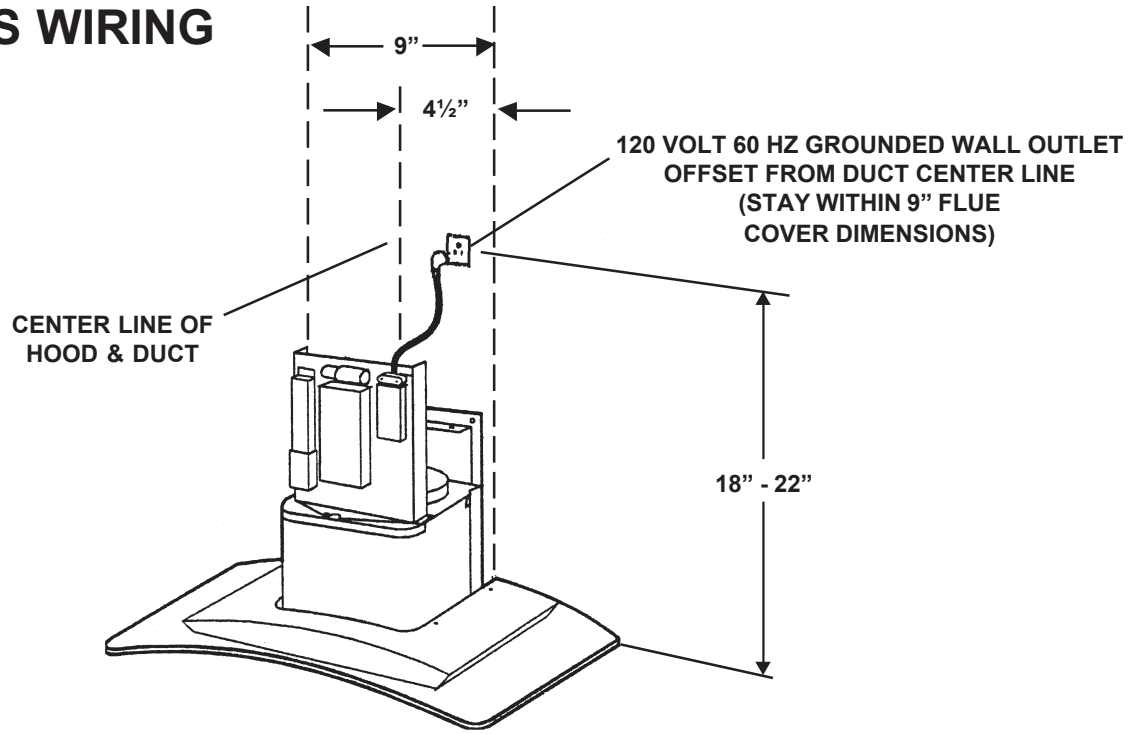
HVI-2100 CERTIFIED RATINGS comply with new testing technologies and procedures prescribed by the Home Ventilating Institute, for off-the-shelf products, as they are available to consumers. Product performance is rated at 0.1 in. static pressure, based on tests conducted in AMCA's state-of-the-art test laboratory. Sones are a measure of humanly-perceived loudness, based on laboratory measurements.



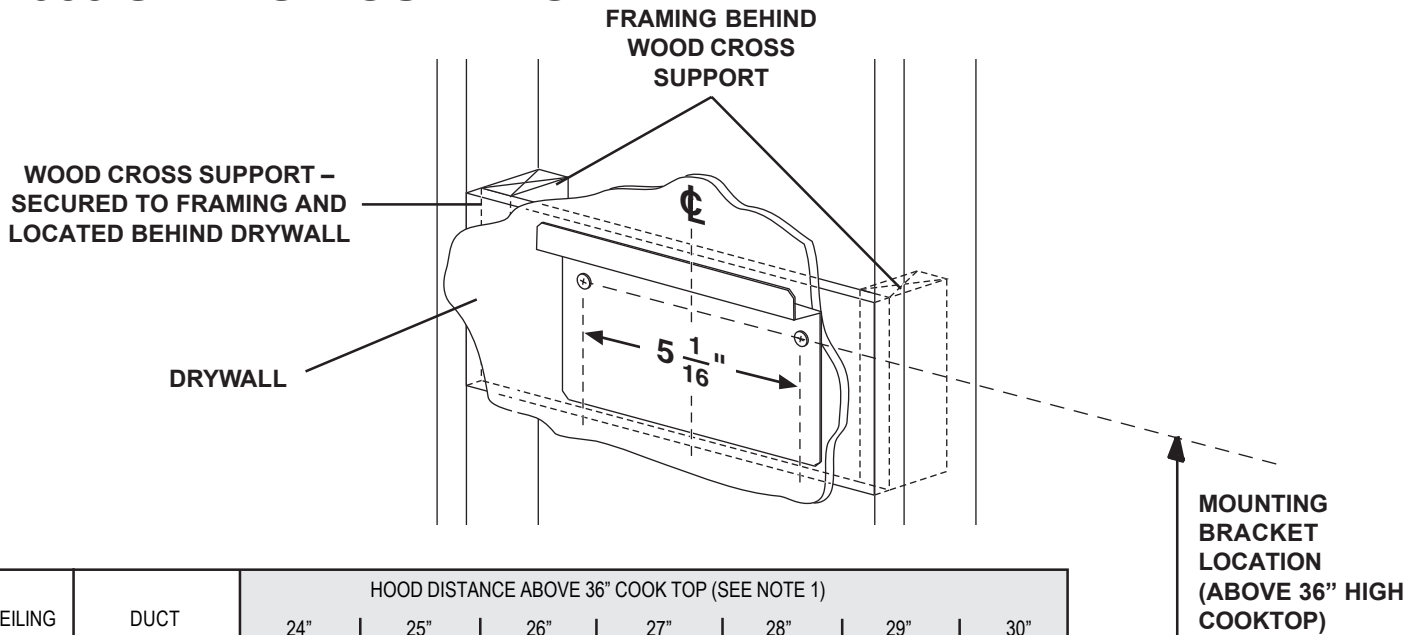
BEST BY BROAN P.O. BOX 140 HARTFORD, WISCONSIN 53027

REFERENCE	QTY.	REMARKS	Project
			Location
			Architect
			Engineer
			Contractor
			Submitted by
			Date

# K7388 SERIES WIRING



# K7388 SERIES MOUNTING



CEILING HEIGHT	DUCT METHOD	HOOD DISTANCE ABOVE 36" COOK TOP (SEE NOTE 1)							
		24"	25"	26"	27"	28"	29"	30"	
		MOUNTING BRACKET LOCATION ABOVE 36" HIGH COOK TOP							
8 FEET	DUCTED	37"	38"	39"	40"	41"			
	NONDUCTED	37"	38"	39"	40"				
9 FEET	DUCTED OR NONDUCTED	37"	38"	39"	40"	41"	42"	43"	
10 FEET	DUCTED WITH FEXT7388			39"	40"	41"	42"	43"	

### NOTES:

1. Minimum hood distance above cooktop must not be less than 24". A maximum of 30" above the cooktop is highly recommended for best capture of cooking impurities. Distances over 30" above the cooktop are at the installer's and user's discretion - providing that ceiling height and flue length permit.

