

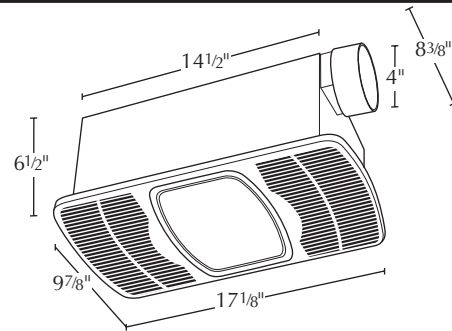
Air King[®]

Ventilation Products

SPECIFICATIONS
AKF55
 EXHAUST FANS

1350 watts - 70 CFM/5.0 SONES @ 0.10" wg.
HVI CERTIFIED 120 Volts, 11.2 amps, 60 hz.

- Grill**
 White, polymeric grill (flame retardant ABS UL rated 94-5V) secured in place using 2 hex nuts that can be easily removed if necessary, dimensions - 17¹/₈" x 9⁷/₈".
- Light Lens**
 Moonstone glass lens, installed in a flip down lens holder. Secured in place using integral tabs.
- Blower Wheels**
 Heater blower wheel - one piece metal electronically balanced, 3¹/₁₆" x 2" with 28 fins.
 Ventilation blower wheel - one piece polymeric electronically balanced, 4⁵/₈" x 1" with 10 fins.
- Motors**
 Heater motor - Heavy duty, plug in 2 pole motor. Life time lubrication, thermally protected.
 Rated 120 volts, 60 hz., 0.90 amps., 2400 rpm.
 Ventilation motor - Heavy duty, plug in 2 pole motor. Life time lubrication, thermally protected.
 Rated 120 volts, 60 hz., 1.2 amps.
- Heater Housing**
 23 gauge galvanized steel housing. Dimensions 14¹/₂" x 8³/₈" x 6¹/₂".
- Heating Element**
 Ultra safe ceramic heating element bonded to large heat transfer surface allows heating at very low operating temperature. Self regulating design provides 1,350 Watts – 4,600 Btu.
- Duct Collar**
 Metal collar for 4" duct connection, comes complete with built in back draft damper.



CUL/HVI - TYPE IC RATED

- Ventilating Area**
 For bathrooms up to 70 sq. ft. For other rooms up to 85 sq. ft.
- Lamping Information**
 Electronic Quick Start Ballast – rated 26 Watt – Use Triple 4 pin PL lamp. Maximum 26 Watt.
- Unit Mounting**
 Designed for ceilings insulated to R-40. Designed to mount in ceilings with at least 7.5" of clearance. The unit will mount between joists (with 16" centers) or butted up against a joist. The housing will mount through drywall thickness up to 3/4", with a rough in opening of 14-3/4" x 8-5/8".
- Single Pack Shipping Info**
 Box Dim: 21¹/₈" x 11¹/₄" x 9³/₄"
 Shipping Weight: 16.09 lbs.

PERFORMANCE											
	Static Pressure (inches of w.g.)								HVI Sones @ .1 SP	Fan Speed RPM	Power Watts
	0	0.05	0.1	0.15	0.2	0.25	0.3	0.35			
Air Flow - CFM	76	73	70	67	64	61	57	53	5.0	2575	54

PROJECT							ARCHITECT				
LOCATION							ENGINEER				
CONTRACTOR							SUBMITTED BY			DATE	
FAN NUMBER	MODEL NUMBER	CFM	IN W.G.	RPM	WATTS	AMPS	SONES	QTY	OPTIONAL EQUIPMENT & REMARKS		



U.S.: 820 Lincoln Drive
 West Chester, Pennsylvania 19380-4466
 Tel: (877)-304-3785
 Fax: (610) 696-8048

Canada: 110 Glidden Road
 Brampton, Ontario L6T 2J3
 Tel: (905) 456-2033
 Fax: (905) 456-1015