

**AEG**

860 D/8609 D

Einbau-Kamin-Dunstabzugshauben

Build-In Chimney Fume Extractor  
Hood

Hottes aspirantes encastrables avec  
évacuation de l'air par la cheminée

Inbouwafzuigkap voor schoorsteen

Inbyggnadsfläktar för anslutning till  
skorsten

Hormirakenteiset liesituulettimet

Montage- und Gebrauchsanweisung

Instructions for Installation and Use

Instructions de montage et mode  
d'emploi

Montage- en gebruiksaanwijzing

Montering och användning

Asennus- ja käyttöohje

**AUS**  
**ERFAHRUNG**  
**GUT**

# Contents

	Page
<b>Safety instructions</b>	
For the electrical installer	28
For the kitchen furniture installer	28—29
<b>Before installing</b>	
General	30
Appliance description	30
Technical data:	
— Dimensions	30
— Electrical connection values	31
— Fan outputs	31
Air outlet-exhaust air	31
Accessories/installation materials	32
<b>Preparing to install</b>	
— Preparing for <b>exhaust air operation</b>	32
— Preparing the wall box ( <b>exhaust air operation</b> )	33
— Position of exhaust air opening	33
— Special accessories Exhaust air hoses	34
— Preparing for <b>return air operation</b>	34
— Preparing for <b>exhaust air operation</b>	35
<b>Installation</b>	
— Wall mounting	36/37
— Additional installation work for <b>return air operation</b>	38
<b>Safety instructions</b>	
For the user	40
<b>Appliance description/operation</b>	41/42
— Instructions on pre- and after-running of fume extractor hoods	43
— Instructions on metal fat filter	43
— Instructions on active carbon filter	43
<b>Maintenance and care</b>	
— Changing the metal fat filter (cleaning)	44
— Changing the active carbon filter ( <b>during return air operation only</b> )	44/45
— Changing the fluorescent lamp/starter	46
<b>Cleaning</b>	
— General cleaning instructions	47
<b>Special accessories</b>	48
<b>Customer service</b>	49
— E- and F-No. indications in case of faults	148

# Safety instructions

## For the electrical installer

Arrangement of the protective contact plug socket inside the chimney cover plate (Fig. EO/2) confers two advantages:

1. **The plug socket is not visible.**
2. **You can easily de-energize the appliance where necessary by unplugging it.**

For the necessary fixed connection, the fume extractor hood may be connected only by an electrical installer registered with the electricity board covering your area. An isolating device is to be provided on the fixed wiring side.

**Switches with a contact opening of more than 3 mm also apply as isolating devices.** These include line protection switches, fuses, and contactors (VDE 0730, s. 7, Part 1).

### Connection

220 V~ via fixed supply lead with protective contact plug (Europa version).

240 V~ via fixed supply lead (UK).

(Fixed connection to be made only by an approved electrical installer)

This appliance complies with the radio interference suppression requirements of EC Directives 76/889 EC and 82/499 EC.

## For the kitchen furniture installer

**The exhaust air may not be introduced into a smoke flue or exhaust gas chimney.**

**Introduction of the exhaust air into a shaft used for ventilation of the installation spaces of firerooms is not permitted.**

**If the exhaust air is introduced into a non-operational smoke flue or exhaust gas chimney, it is advisable to seek the consent of the competent chimney-sweep.**

**The official exhaust air guidance regulations are basically to be complied with.**

**During operation as an exhaust air appliance, an adequate supply air opening of approximately the same size as the exhaust air opening is to be ensured.**

**According to the Provincial Building Regulations, the joint operation of fume extractor hoods and chimney-linked fireplaces, such as coal- or oil-fired ovens and gas heaters, in the same space is subject to specific restrictions.**

**In such spaces, the Fireplace Regulations only allow an underpressure of max. 0.04 mbar.**

**The safe joint operation of chimney-linked appliances and fume extractor hoods is only guaranteed if space and/or dwelling (space/air interaction) are externally ventilated by a suitable supply air opening of around 500—600 cm<sup>2</sup> and an underpressure thereby avoided when the fume extractor hood is running.**

**For the kitchen  
furniture  
installer**

In doubtful cases, please seek the advice and consent of the competent area chimney-sweep or the local building authorities.

Since, in spaces without fireplace, the rule is: "Supply air opening as large as exhaust air opening", the efficiency of the exhaust air device may be impaired by the greater opening of 500 — 600 cm<sup>2</sup>.

Operation of the hood as a return air hood in such circumstances is safe and is not subject to the regulations noted above.

Operation of the fume extractor hood in return air mode is optimum only when the following are ensured:

- short, straight exhaust air runs
- as few pipe bends as possible
- running of pipes in flat arcs, not in acute angles
- as large as possible pipe diameters (basically min. 120 mm dia. for two-motor hoods).

Failure to observe these principles is inevitably associated with power losses and increased operating noise.

During installation of the fume extractor hood, the following minimum distances from the **upper edge of the hob to the lower edge of the fume extractor hood** must be complied with:

<b>Electric cookers</b>	<b>650 mm</b>
<b>Gas cookers</b>	<b>650 mm</b>
<b>Coal- and oil-fired cookers</b>	<b>min. 700 mm</b>

## General

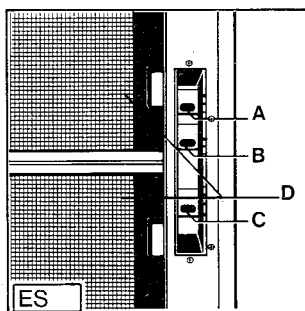
The fume extractor hood is supplied as an exhaust air appliance and may be used as a return air appliance through application of an active carbon filter (special accessory).

**For this purpose, you need the AEG Original Active Carbon Filter (see special accessories).**

## Appliance description

- A** = Light switch
- B** = Blower switch (On/Off)
- C** = Blower switch settings
- D** = Metal filter grille (fat filter)

The fume extractor hood is switched on and controlled via the different controls



## Technical data

### Dimensions:

#### 860 D

Height	Width	Depth	(in mm)
255	599	490	

#### Weight:

Net: 22 kg

#### 8609 D

Height	Width	Depth	(in mm)
255	899	497	

#### Weight:

Net: 24.5 kg

<b>Connection value:</b>	<b>860 D</b>	<b>8609 D</b>
Total connected load:	179 W	180 W
Fan motor:	2 × 82 W	2 × 82 W
Lighting:	1 × 15 W (fluorescent lamp)	1 × 16 W (fl. lamp)

**Fan outputs (settings) to DIN 44 971**

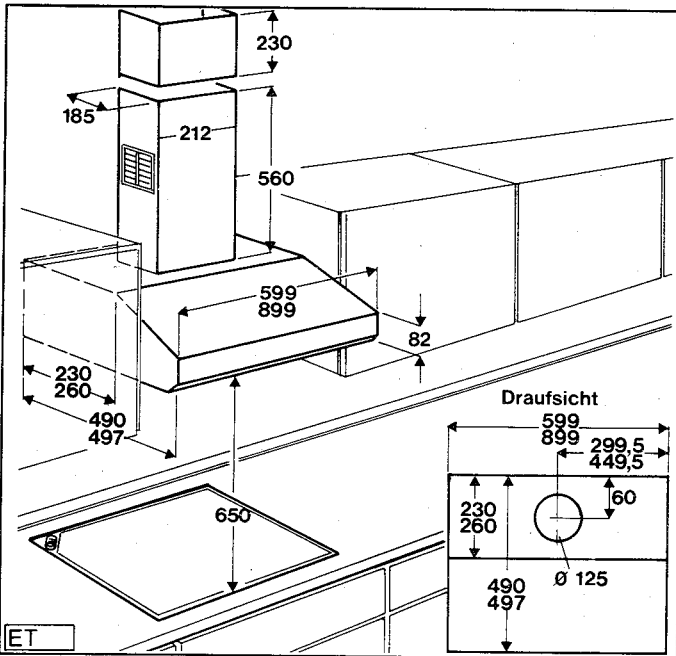
<b>860/8609 D</b>	Setting 1	Setting 2	Setting 3	Setting 4
Exhaust air:	200 m³/h	320 m³/h	400 m³/h	520 m³/h
Return air:	140 m³/h	240 m³/h	290 m³/h	360 m³/h

**Exhaust air system 125 mm dia.**

**Air outlet arranged centrally above**

Pipe connection of 125 mm dia. for exhaust air hoses of 125 mm dia.

**Air outlet**



Draufsicht = Plan

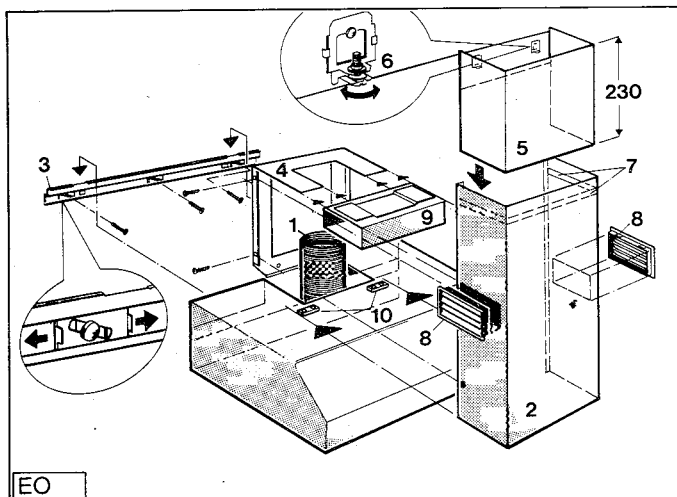
## Accessories/installation materials

- 1 wall rail (for mounting of fume extractor hood)
- 4 wall plugs for 8 mm, 40 mm long wood screws (for mounting of chimney retaining plate on wall and wall rail)
- 4 button-head wood screws, 5 × 40 to DIN 7996
- 2 wall plugs for 5 mm, 30 mm long wood screws (for mounting of clamping piece)
- 2 button-head wood screws, 6 × 30 to DIN 85
- 1 drilling template for appliance mounting
- 1 125 mm dia., 800 mm long hose
- 2 125 mm dia. hose clips for above
- 1 chimney equalizer (230 mm high)
- 1 chimney cover plate with air outlet grille for return air
- 1 chimney retaining plate
- 1 guide piece (T-piece) for return air operation
- 4 button-head 2.9 mm × 6.5 mm long sheet metal screws (for mounting of chimney retaining plate with chimney cover plate)
- 3 5 × 60 mm screws to DIN 7996 for mounting of wall rail
- 3 8 × 60 mm wall plugs for wall rail

### Preparing for exhaust air operation

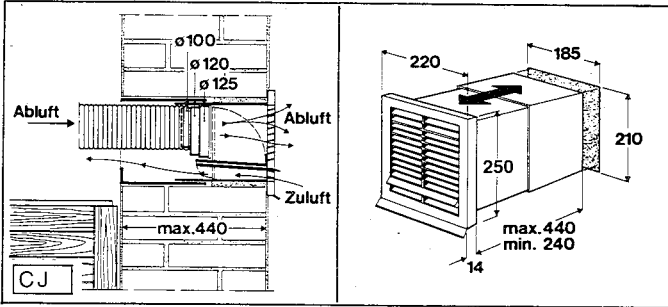
The fume extractor hood is factory-supplied for commissioning in **upward exhaust air mode**.

**Prior to installation of the fume extractor hood, a hole should be arranged in the outer wall for the wall box (return/supply air) apart from mounting drillholes.**



If the kitchen fume is run out into the open air through the external wall, you need a **type MKZ telescopic wall box (with exhaust and supply air)** (E-No. 610 899 004) (from our range of special accessories).

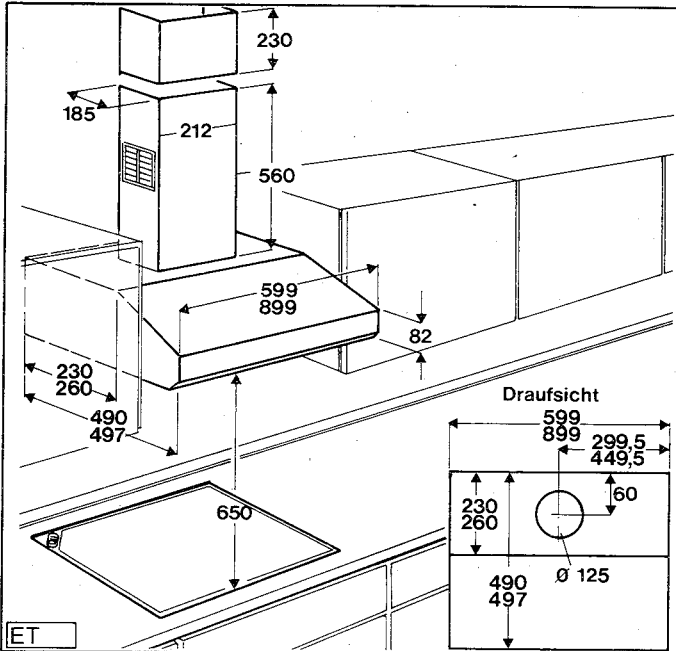
**Preparing the wall box (exhaust air operation)**



Abluft = Exhaust air  
Zuluft = Supply air

The dimensions and position of the air outlet opening are given in the following diagram.

**Position of exhaust air opening**



Draufsicht = Plan



**Special accessories  
Exhaust air hoses**

**Preparing for return air operation**

For wall box/fume extractor hood connection, it is best to use the non-flammable exhaust air hose under **E-No. 610 899 008** (125 mm dia.) from our range of special accessories.

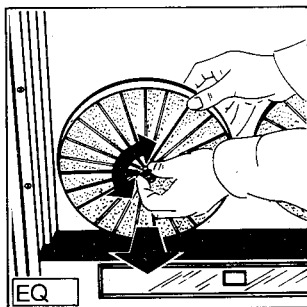
**The fume extractor hood is used as a return air hood when no ventilation shaft or outer wall is available.**

**For operation as a return air hood, it is necessary to install 2 active carbon filters KL 600 (E-No. 610 899 470) for kitchen fume absorption.**

Active carbon filters KL 600 are supplied as **special accessories (for your own account)**.

**To insert the 2 carbon filters, proceed as follows:**

1. Remove metal fat filter grille (**Fig. ES/D**) (press outwards by unlocking the locking bolts) (**Fig. EW**).
2. Remove both knurled screws on the motor shaft (by turning to the left), place one active carbon filter (round) on each motor and screw the knurled screws into the motor shafts.

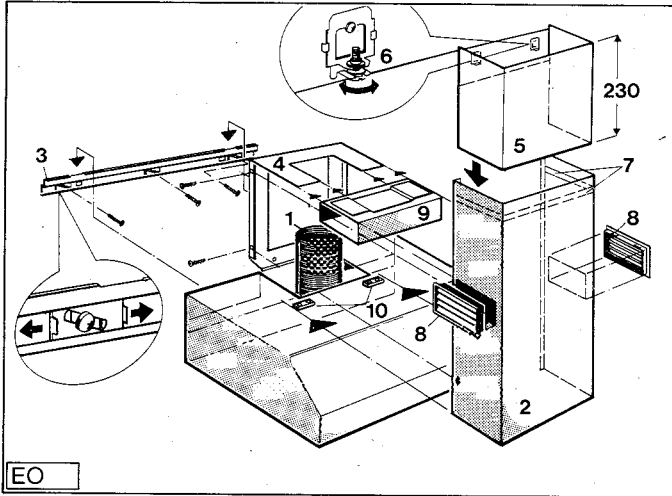


3. Re-insert (re-engage) metal fat filter grille.

The fume extractor hood is now ready for return air operation.

If the kitchen fume is discharged into the open air through the outer wall, you need a telescopic wall box (E-No. 610899004) **(for your own account from our range of special accessories)** (Fig. C.J).

See the following illustration for the dimensions and position of the air outlet opening.



To connect the wall box/fume extractor hood, you are recommended to use the 125 mm dia. non-flammable exhaust air hose (E-No. 610899088) **(for your own account from our range of special accessories)**. The exhaust air connection has a theoretical opening of 125 mm dia.

**Exhaust air discharged upwards or backwards:**

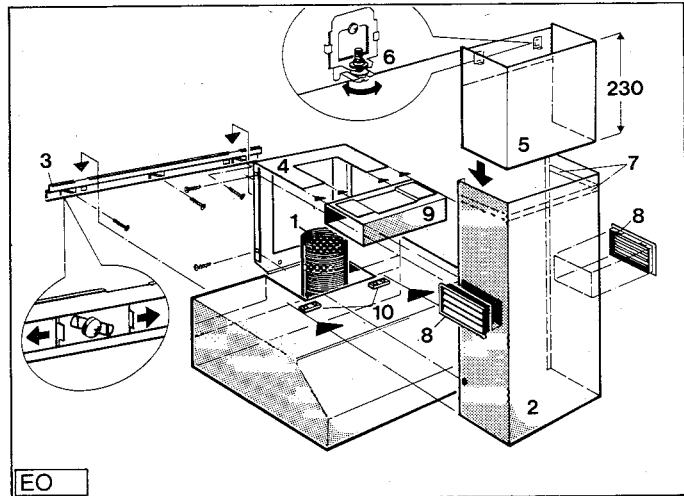
The exhaust air can be discharged through the available moving hose (accessory) with a sleeve inside the chimney cover plate (Fig. EO/2) upwards or directly backwards (wall box).

**Preparing for  
exhaust air  
operation**

## Wall mounting

### Installation steps for exhaust air operation

1. Hold the installation template (with readable lettering) on the wall, **noting the distance between the upper edge of the hob and the lower edge of the fume extractor hood!** (Electric/gas cookers **650 mm**) (oil and coal cookers **min. 700 mm**).
2. Mark out and drill the **8 mm dia.** holes. Insert the wall plugs and mount the wall rail (**Fig. EO/3**).



The wall rail can be horizontally aligned by shifting the sliding elements.

**Important! Only use the supplied 5 × 60 mm screws to DIN 7996!**

3. Mount the fume extractor hood in the wall rail and centrally align about the cooker hob.
4. Insert the chimney retaining plate (**Fig. EO/4**) in the fume extractor hood (cutout for exhaust air hose) so that both angles (above) face forwards (**Fig. EO/4**). Fix the chimney retaining plate with 6 8 × 40 mm wall plugs and 8 × 40 mm screws on the wall.
5. Connect the exhaust air hose (without sleeve) of the fume extractor hood directly to the wall box behind or directly connect 125 mm dia. exhaust air hose to the fume extractor hood and run on.

**Remove the previously available exhaust air hose!**

**6. Installing the chimney equalizer (Fig. EO/1) flush with the ceiling**

Drill holes to take plugs for **5 x 30 mm** screws on the RH and LH sides of the fume extractor hood **50 mm** from the lower edge of the ceiling and screw in the screws until they are **5 mm away from the wall**.

Turn back the set-screw to its fullest extent by turning to the left.

Mount the chimney equalizer (**Fig. EO/6**) via the wall screws. Screw in the set-screws by turning to the right until the chimney equalizer is applied flush with the ceiling edge.

**Maximum equalization height 2.55 m**

7. Pull off the foil on the double adhesive tape above in the chimney cover plate (**Fig. EO/7**).

8. Slide the chimney cover plate (**Fig. EO/2**) (with the lateral ventilation grille) (**Fig. EO/8**) from the front on to the fume extractor hood until it engages the holders in the RH and LH sides.

**Firmly press upwards against the chimney equalizer (connection by double adhesive tape).**

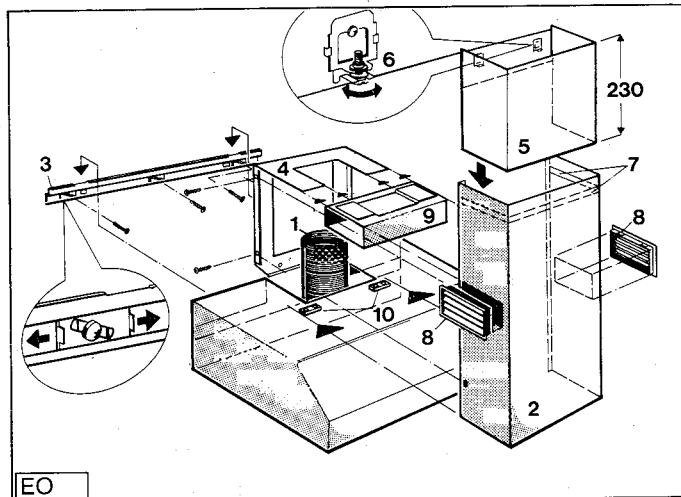
9. Fix chimney cover plate (**Fig. EO/2**) laterally with 4 **2.9 x 6.5 mm** sheet metal screws on the chimney retaining plate.

**Additional  
installation  
work for return  
air operation**

Installation steps same as for exhaust air operation under points 1—4

**Further installation steps:**

- Slide guide piece (**Fig. EO/9**) on to chimney cover plate (**Fig. EO/4**).



- Fix exhaust air hose on guide piece with 125 mm dia. hose clip.
  - Fix chimney equalizer as under exhaust air.
  - Unclip the ventilation grille (**Fig. EO/8**) from the chimney cover plate and, after pulling off the foil (double adhesive tape) (**Fig. EO/7**), slide the chimney cover plate from the front on to the fume extractor hood until it engages the holders on the RH and LH sides (**Fig. EO/10**).
  - Fix chimney cover plate (**Fig. EO/2**) laterally with 4  $2.9 \times 6.5$  mm sheet metal screws on the chimney retaining plate.
  - Clip the ventilation grille laterally (on the RH and LH sides) on the guide piece (**Fig. EO/9**).
- Important! Lamination position obliquely downwards!**

**Unless this has been done as preparation work, 2 KL 600 carbon filters (E-No. 610 899 470) (for your own account from our range of special accessories) must be inserted for return air operation!**

Allow me to introduce myself: I am your new AEG fume extractor hood. From now on, I should like to help you keep your kitchen free from fume and fat deposits. Not simply because of my attractive appearance, but also thanks to my "intrinsic qualities". I am economical in terms of energy consumption, quiet, powerful, easy to operate, and simple to care for. If you carefully read and follow my operating instructions (maintenance) before first use, you are sure to be extremely satisfied with me.

## Electrical connection

### Warning!

#### All appliances with a 3 core lead must be earthed

Please ensure that the voltage and current indicated on the rating plate agrees with the voltage of your electrical supply. 220/240 volts — (i.e. 220/240 V a.c.)

Please note! (For users in the U.K.)

If your appliance has been equipped with a mains lead with a moulded on type plug, you must comply with the following regulations: The plug moulded on to the lead incorporates a fuse. For replacements, use a 13 amp BS 1362 fuse. Only ASTA approved or certified fuses should be used. If the fuse cover/carrier is lost, a replacement cover/carrier must be obtained from electrical goods retailers. If the socket outlets in your home are not suitable for the plug fitted to the appliance, then the plug must be cut off and destroyed for safety reasons, and an appropriate plug fitted. When fitting the plug please note the following points:

The wires in the mains lead are coloured in accordance with the following code:

Green and Yellow	Earth
Blue	Neutral
Brown	Live

Some appliances have a twin core mains lead, when no earth is required.

As the colours of the wires in the mains lead of this appliance may not correspond with the coloured markings identifying the terminals in your plug proceed as follows:

1. The wire which is coloured Green and Yellow must be connected to the Earth terminal in your plug, which is marked with the letter E or by the earth symbol or coloured Green, or Green and Yellow.
2. The wire which is coloured brown must be connected to the live terminal which is marked with the letter L or coloured red.
3. The wire which is coloured blue must be connected to the neutral terminal which is marked with the letter N or coloured black.

When wiring the plug, ensure that all strands of wire are securely retained in each terminal. Do not forget to tighten the mains lead clamp on the plug. This appliance complies with the requirements laid out in the EEC Directive 76/899.

Voltage	220/240 V AC
Fuse rating	13 amps

See rating plate for further information.

## Hello

## Voltage and current

## electrical connection

## Important

# Safety instructions

## For the user

It must be ensured that hobs are always covered so that the appliance is not damaged by excessive heat liberation. Open fireplaces on oil-, gas-, and coal-fired cookers must be avoided.

During deep-frying over a cooker/hob, the appliance used for deep-frying must also be supervised during operation.

The oil contained in the deep-frying appliance may spontaneously ignite through overheating.

If contaminated oil is used, spontaneous ignition may occur even more readily.

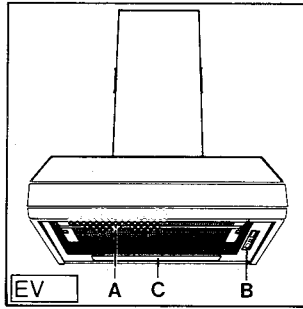
It should be noted that overheating may cause a fire.

Flambé-cooking under the fume extractor hood is not allowed.

During all work on the fume extractor hood, also during lamp change, the appliance must be de-energized (by removing the fuses or otherwise disconnecting the appliance).

It is important to observe the filter change or cleaning intervals. Failure to observe these intervals may cause the risk of fire through fat deposition.

## Appliance description



- A = Metal fat filter grille
- B = Control panel
- C = Lighting

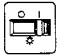
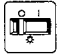






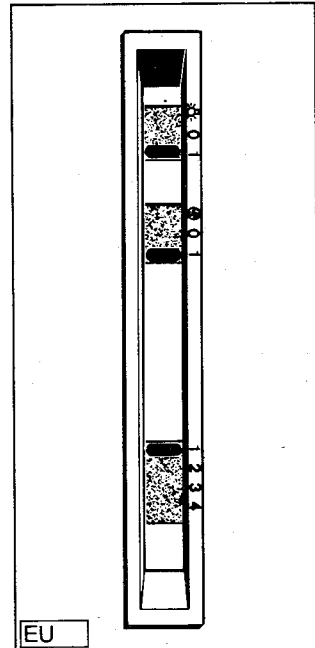
# First use


## Operation

My sliding switches are arranged on the RH side (when viewed below from the front).


The individual numbers and symbols have the following meanings (from left to right):



-  = Lighting On
-  = Lighting Off
-  = Lighting
-  = Blower On
-  = Blower Off
-  = Blower setting switch
- 1 = Blower setting 1
- 2 = Blower setting 2
- 3 = Blower setting 3
- 4 = Blower setting 4



To switch on the fume extractor hood, set my blower switch to the "On" position .

The blower of the fume extractor hood runs.

With the blower setting switch , you can set the fume extractor hood to the power you require (depending on the amount of fume being generated by the hobs).

You can separately switch my workplace lighting (hobs) on or off with the On  or Off  switch.

The build-in fume extractor hood is to be switched on before cooking begins and allowed to run on around 15 minutes after cooking is completed.

You should remove my metal fat filter (Fig. EW) from the appliance every 6—8 weeks and wash it by hand or in your dishwasher.

The active carbon filter must be changed not later than after 1 year.

The active carbon filter cannot be washed or regenerated.

Good deodorization is conditional upon a suitable active carbon volume (depending on the air capacity of your fume extractor hood) and specific arrangement of the active carbon filter in your fume extractor hood.

This combination ensures a positive return air supply in contrast to exhaust air operation.

A decisive factor affecting deodorization is what is known as the dwell time of the aspirated air in the active carbon filter.

This dwell time can only be achieved with the AEG Original Active Carbon Filter (see Special accessories)

**Pre- and  
after-running  
of fan**

**Metal fat filter**

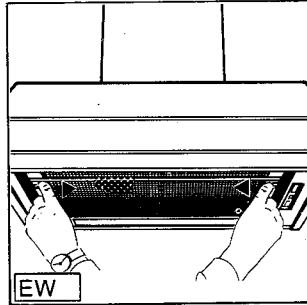
**Instructions on  
active carbon  
filter**

## Cleaning the metal fat filter

To remove and then clean my metal fat filter grille, proceed as follows:

**For reasons of safety against any unintentional switching on, remove my screw-in fuse from the holder or switch off my automatic fusing system in the fusebox.**

1. Press the lock on the fat filter grille inwards and detach the fat filter at the front and rear.



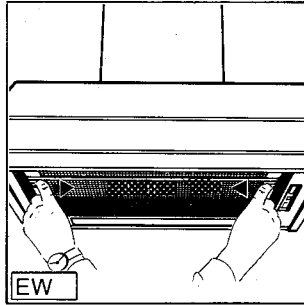
2. **Clean my internal housing only with warm washing-up liquid suds** (never use any abrasive cleaners, brushes, or scouring agents).
3. After cleaning, re-insert both dry metal fat filters.
4. Re-insert the fuses and reconnect the appliance.

## Active carbon filter

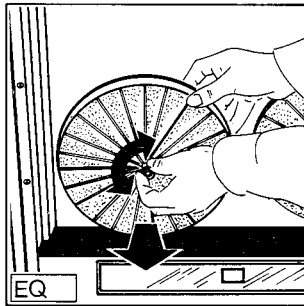
To remove and then replace **2 KL 600 carbon filters (E-No. 610 899 470) (for your own account from our range of special accessories)**, proceed as follows:

**For reasons of safety against any unintentional switching on, remove my screw-in fuse from the holder or switch off my automatic fusing system in the fusebox.**

1. Press the lock on the fat filter grille inwards and detach the fat filter at the front and rear.



2. Remove old active carbon filters (**always 2**) by loosening the knurled screw in the centre.



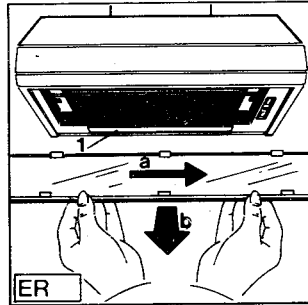
3. **Clean my internal housing only with warm washing-up liquid suds** (never use any abrasive cleaners, brushes, or scouring agents).
4. Insert **2 new active carbon filters KL 600**. The active carbon filter is arranged before the motor housing and is mounted with the knurled screw.
5. Re-insert the fuses and reconnect the appliance.

**Your fume extractor hood is now ready to operate in return air mode again!**

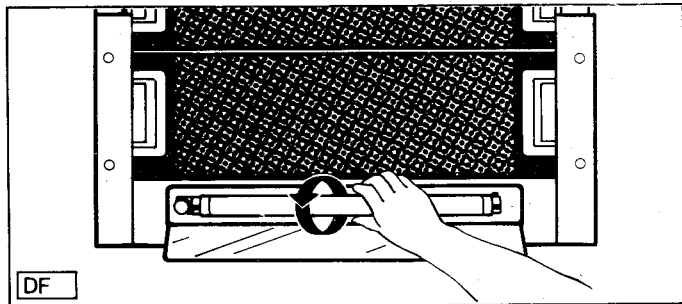
## Changing the fluorescent lamp (starter)

**You can change the fluorescent lamp or starter yourself!**  
**De-energize the appliance before changing the lamp (e.g. pull out the mains plug).**

1. Slide the lighting cover to the right (860 D) or unclip and detach it (8609 D).

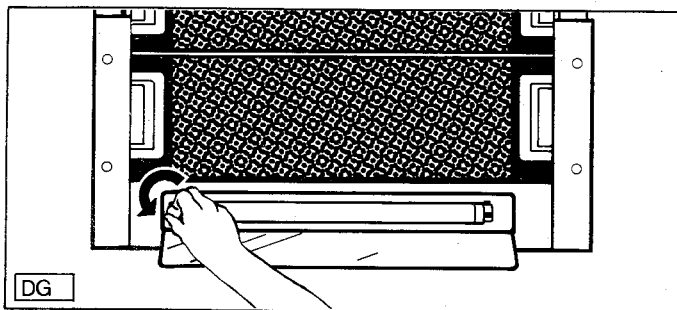


2. Unscrew my defective fluorescent lamp by twisting out of the sockets to the left and replace it with a new one.



**Important: Insert only a max. 15 W (860 D) or 16 W (8609 D) fluorescent lamp by twisting into the sockets to the right!**

3. Remove any defective starter by twisting out of the socket to the left.



**Insert a new starter by twisting to the right.**

4. Reclose my lamp cover. Re-insert the fuses and reconnect the appliance.

**Important! To clean the fume extractor hood, de-energize the appliance (e.g. pull out the mains plug). Never introduce sharp objects into the protective grille of the motor!**

**Clean the outer parts with a mild washing-up liquid solution. Never use abrasive cleaners, brushes, or scouring agents.**

**Clean the control panel screen and fat filter grille only with a damp cloth and mild washing-up liquid solution.**

**It is important to observe the filter change or cleaning intervals. Failure to observe these intervals may cause the risk of fire through fat deposition.**

## Cleaning

## Special accessories

Active carbon filter KL 600 E-No. 610 899 470

**(2 units)**

Wall box MKZ

E-No. 610 899 004

(External dimensions

Height x width in mm

Opening

250 x 220

185 x 210)

Exhaust air hose

E-No. 610 899 008

125 mm dia., aluminium

# Customer service

In case of any enquiries and faults, please call our service centre (see list of service centres).

When calling, please state the following:

- 1. The model designation**
- 2. The E-No.**
- 3. The F-No.**

**You will find these data on the nameplate after opening the fat filter grille inside the appliance.**

In the interests of technical progress, the manufacturer reserves the right to make design and colour alterations without prior notice.