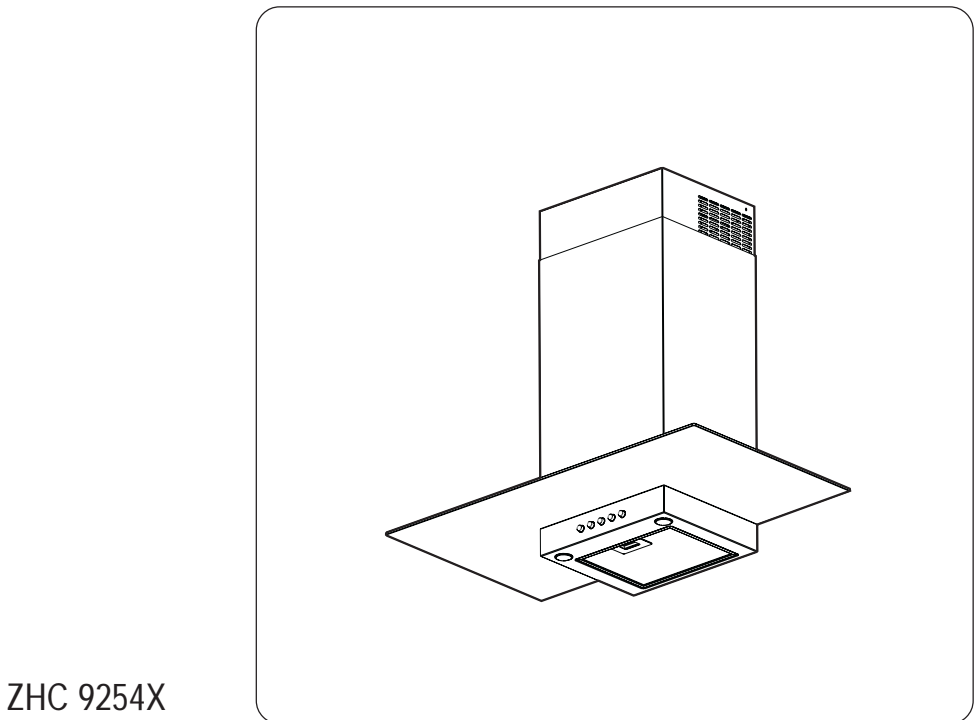


User
Manual

Cooker Hood



ZHC 9254X



Welcome to the world of Electrolux

Thank you for choosing a first class product from Electrolux, which hopefully will provide you with lots of pleasure in the future. The Electrolux ambition is to offer a wide variety of quality products that make your life more comfortable. You find some examples on the cover in this manual. Please take a few minutes to study this manual so that you can take advantage of the benefits of your new machine. We promise that it will provide a superior User Experience delivering Ease-of-Mind.

Good luck!



Contents


Safety warnings	5
Description of the Appliance	7
Control Panel	9
Maintenance and Care	10
Cleaning the hood	12
Special accessories	13
Technical Details	13
Electrical connection	14
Installation	15

Safety warnings

- When used as an extractor unit, the hood must be fitted with a hose having preferably the same diameter as the outlet hole. Should there already be a pipe of diameter 125 mm that ducts to the outside through the walls or roof, it is possible to use the 150/125 mm reduction flange provided. In this case the hood will be slightly noisier.
Attention: The hose is not supplied and must be purchased separately.
- The minimum distance between the supporting surface for the cooking vessels on the hob and the lowest part of the range hood must be not less than **50cm** from electric cookers and **65cm** from gas or mixed cookers.
If the instructions for installation for the gas hob specify a greater distance, this must be adhered to.
- Before any cleaning or maintenance operation, disconnect the hood from the mains by removing the plug or disconnecting the home mains switch.
- The appliance is not intended for use by children or persons with impaired physical, sensorial or mental faculties, or if lacking in experience or know-how, unless they are under supervision or have been trained in the use of the appliance by a person responsible for their safety.
- Children should be monitored to ensure that they do not play with the appliance.
- Never use the hood without effectively mounted grating.!
- The hood must **NEVER** be used as a support surface unless specifically indicated.
- The premises must be sufficiently ventilated, when the kitchen hood is used together with other gas combustion devices or other fuels.
- The suctioned air must not be conveyed into a conduit used for the disposal of the fumes generated by appliances that combust gases or other fuels.
- The flaming of foods beneath the hood itself is severely prohibited.
- The use of exposed flames is detrimental to the filters and may cause a fire risk, and must therefore be avoided in all circumstances.
- Any frying must be done with care in order to make sure that the oil does not overheat and burst into flames.
- As regards the technical and safety measures to be adopted for fume discharging it is important to closely follow the relations provided by the competent authorities.
- The hood must be regularly cleaned on both the inside and outside (**AT LEAST ONCE A MONTH**, it is in any event necessary to proceed in accordance with the maintenance instructions provided in this manual)..
- Failure to follow the instructions as concerns hood and filter cleaning will lead to the risk of fires.
- Do not use or leave the hood without the lamp correctly mounted because of the possible risk of electric shocks.
- We decline any responsibility for any problems, damage or fires caused to the appliance as the result of the non-observance of the instructions included in this manual.

This appliance is marked according to the European directive 2002/96/EC on Waste Electrical and Electronic Equipment (WEEE). By ensuring this product is disposed of correctly, you will help prevent potential negative consequences for the environment and human health, which could otherwise be caused by inappropriate waste handling of this product.



The symbol  on the product, or on the documents accompanying the product, indicates that this appliance may not be treated as household waste. Instead it shall be handed over to the applicable collection point for the recycling of electrical and electronic equipment. Disposal must be carried out in accordance with local environmental regulations for waste disposal.

For more detailed information about treatment, recovery and recycling of this product, please contact your local city office, your household waste disposal service or the shop where you purchased the product.

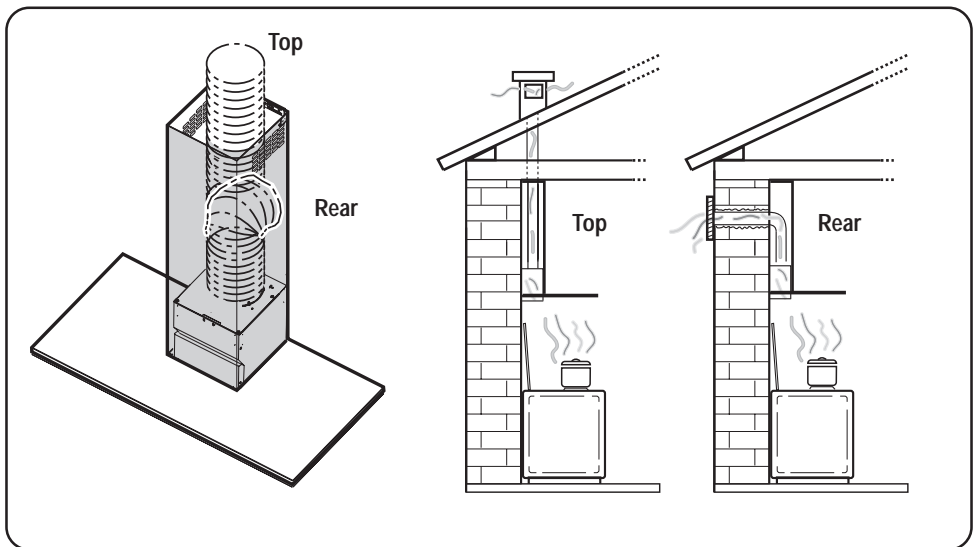
hoods and fuel-burning appliances connected to a chimney, such as coal or oil room-heaters and gas fires, in the same room.

- Hoods can only be used safely with appliances connected to a chimney if the room and/or flat (air/environment combination) is ventilated from outside using a suitable ventilation hole approximately 500-600 cm² large to avoid the possibility of a depression being created during operation of the hood.
- If you have any doubts, contact the relevant controlling authority or building inspector's office.
- Since the rule for rooms with fuel burning appliances is "outlet hole of the same size as the ventilation hole", a hole of 500-600 cm², which is to say a larger hole, could reduce the performance of the extractor hood.

Description of the Appliance

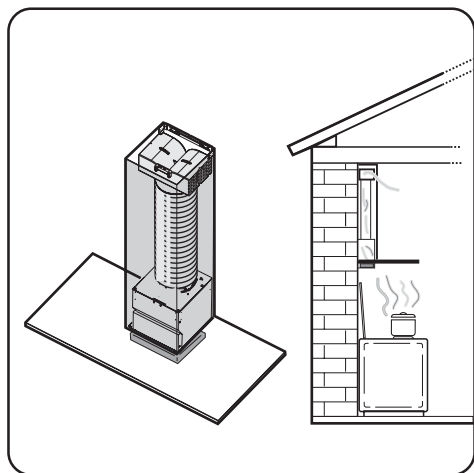
- The cooker hood is designed to extract unpleasant odours from the kitchen, it will not extract steam.
- The hood is supplied as an extractor unit and can also be used with a recirculation mode by fitting a charcoal filter.
- You will need an original charcoal filter for the recirculation mode. (See Special Accessories).

Extraction mode



- In this mode fumes are extracted to the outside via a **hose** connected to the **coupling ring**.
- In order to obtain the best performance the hose should have a diameter equal to the outlet hole.

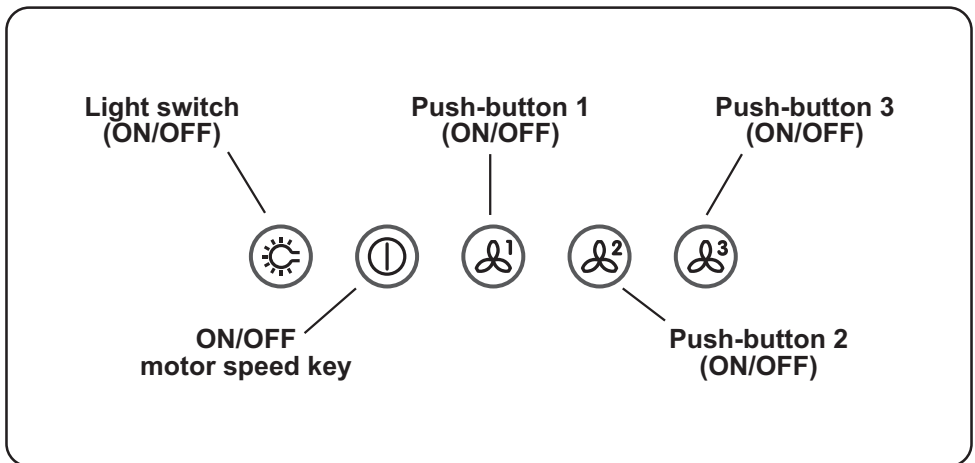
Recirculation mode



- The air is filtered through a **charcoal filter** and returned to the kitchen.
- You will need an original charcoal filter for the recirculation mode. (See Special Accessories).

Control Panel

- Best results are obtained by using a low speed for normal conditions and a high speed when odours are more concentrated.
Turn the hood on a few minutes before you start cooking.
The hood should be left on after cooking for about 15 minutes or until all the odours have disappeared.
- **Correct ventilation:** If the cooker hood is to work correctly there must be an under pressure in the kitchen. It is important to keep the kitchen windows closed and have a window in an adjacent room open.
- The control switches are located on the hood's front panel:



- **Light switch (ON/OFF):** this switch is used to turn the light fitted in the hood on and off.
- **ON/OFF motor speed key:** serves to enable and disable the speed selection keys.
- **Push-button 1 (ON/OFF):** used to set the fan to speed 1.
- **Push-button 2 (ON/OFF):** used to set the fan to speed 2.
- **Push-button 3 (ON/OFF):** used to set the fan to speed 3.

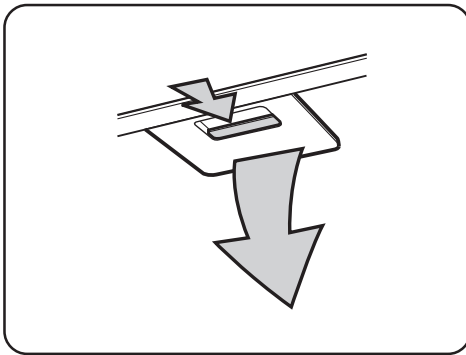
Maintenance and Care

- **Warning!** Before performing any maintenance operation, isolate the hood from the electrical supply by switching off at the connector and removing the connector fuse. Or if the appliance has been connected through a plug and socket, then the plug must be removed from the socket.

Metal grease filter

- The purpose of the grease filters is to absorb grease particles which form during cooking and it **must** always be used, either in the external extraction or internal re-circulation function.
Attention: the metal grease filters must be removed and washed, either by hand or in the dishwasher, every four weeks.

Removing the metal grease filter



- Use the spring handle and remove the filter downward.

Hand washing

Soak grease filters for about one hour in hot water with a grease-loosening cleaner, then rinse off thoroughly with hot water. Repeat the process if necessary. Refit the grease filters when they are dry.

Dishwasher

Place grease filters in the dishwasher. Select most powerful washing programme and highest temperature, at least 65°C. Repeat the process. Refit the grease filters when they are dry.

- **Attention!** When washing the metal grease filter in the dishwasher a slight discolouration of the filter can occur, this does not have any impact on its performance.
- Clean the inner housing using a hand hot solution only (never use caustic detergents, abrasive powders or brushes).

Charcoal filter

- The charcoal filter should only be used if you want to use the hood in recirculation mode.
- To do this you will need an original charcoal filter (available from your local Service Force Centre).

- **Cleaning/replacing the charcoal filter**

The saturation of the activated charcoal occurs after more or less prolonged use, depending on the type of cooking and the regularity of cleaning of the grease filter.

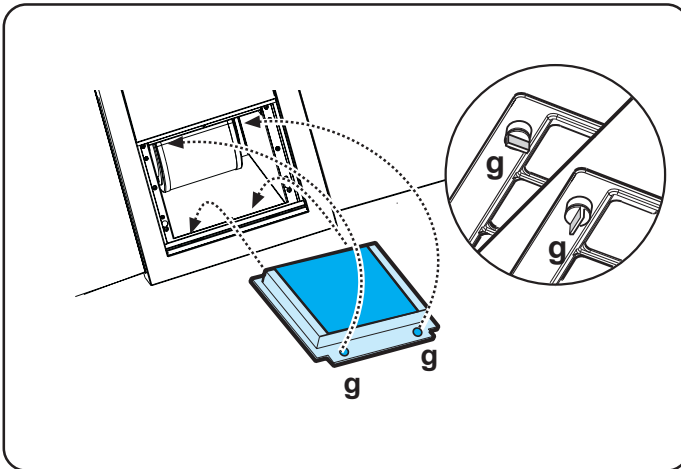
In any case it is necessary to replace the cartridge at least every four months (or when the filter saturation indication system – if envisaged on the model in possession – indicates this necessity).

- **Fitting**

Remove the grease filters.

Apply the filter first in front and then behind fixing it in position with the two knobs (g).

Refit the grease filters.



- **To remove**

Remove the filter turning the knobs that fix it to the hood 90°(g).

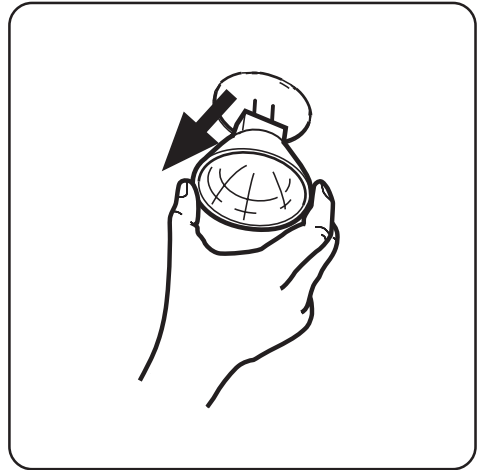
- Always specify the hood model code number and serial number when ordering replacement filters. This information is shown on the rating plate located on the inside of the unit.
- The charcoal filter can be ordered from your local Service Force Centre.

Warning

- Failure to observe the instructions on cleaning the unit and changing the filters will cause a fire hazard. You are therefore strongly recommended to follow these instructions.
- The manufacturer declines all responsibility for any damage to the motor or any fire damage linked to inappropriate maintenance or failure to observe the above safety recommendations.

Changing the light bulb(s)

- **Disconnect the cooker hood from the mains supply.**
- **Prior to touching the light bulbs ensure they are cooled down.**



- Replace the old bulb with a new one of the same type.
- If the light does not come on, make sure the bulb has been inserted in correctly before contacting your local Service Force Centre.

Cleaning the hood

- Clean the outside of the hood using a damp cloth and a solution of water and mild washing up liquid.
- Never use corrosive, abrasive or flammable cleaning products or products containing bleach.
- Never insert pointed objects in the motor's protective grid.
- Only ever clean the switch panel and filter grill using a damp cloth and mild washing up liquid.
- Clean all the plastic parts with a soft cloth soaked in warm water and neutral soap.
- It is extremely important to clean the unit and change the filters at the recommended intervals. Failure to do so will cause grease deposits to build up that could constitute a fire hazard.

Special accessories

Charcoal filter Type 15

Technical Details

ZHC 9254X	
Dimensions (in cm):	
Height (Extract. mode):	67-100
Height (Recirc. mode):	67-110,5
Width:	89,8
Depth:	50
Max. absorb. power:	210 W
Motor:	170 W
Lighting:	2 x 20 W (GU4-12V-Ø 35mm-30° Dichroic)
Length of the cable:	150 cm
Electrical connection:	230 V
Fuse rating:	5At

Mounting accessories included

- 2 Torx adapter (for TORX screws).
- 1 deflector (with extensions),
- 1 fixing bracket for motor unit ,
- 1 support bracket for flues (3 pieces to assemble),
- 5 screws 5 x 45 mm,
- 5 Wall dowels Ø 8 mm,
- 4 screws 2.9 x 6.5,
- 4 screws 3.5 x 9.5,
- 4 screws 4 x 8,
- 2 screws 3,5 x 13,
- 1 brackets for fixing the mantle,
- 4 screws and bushes for fixing the mantle.

Electrical connection

Safety warnings for the electrician

The mains power supply must correspond to the rating indicated on the plate situated inside the hood. If provided with a plug connect the hood to a socket in compliance with current regulations and positioned in an accessible area. If it not fitted with a plug (direct mains connection) or if the plug is not located in an accessible area apply a bi-polar switch in accordance with standards which assures the complete disconnection of the mains under conditions relating to over-current category III, in accordance with installation instructions.

IMPORTANT: Before re-connecting the hood circuit to the mains supply and checking the efficient function, always check that the mains cable is correctly assembled.

Installation

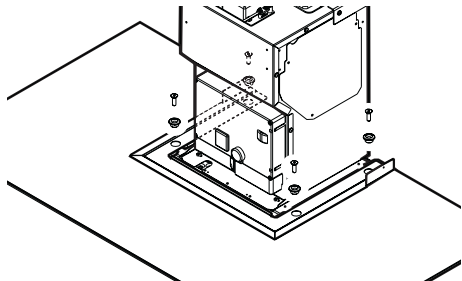
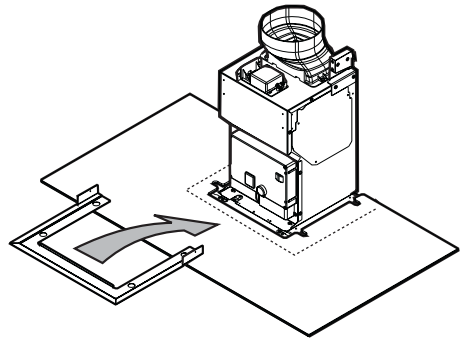
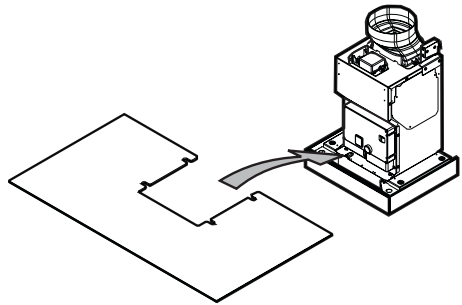
Installing the mantle on the hood

Installing the mantle can also be carried out after having installed the motor unit at the wall. This makes installation easier because the weights and dimensions of the parts to be mounted are relatively limited.

On the contrary, installing the mantle before installing the hood to the wall allows checking the set up and position of the hood to the wall.

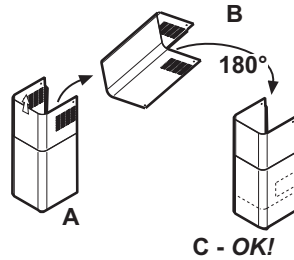
Proceed as follows:

- Place the mantle over the hood (the painted part downward).
The slots on the glass element should correspond to the fixing points on the hood.
- Put the closure bracket over the mantle and fix the glass element with four bushes and screws.



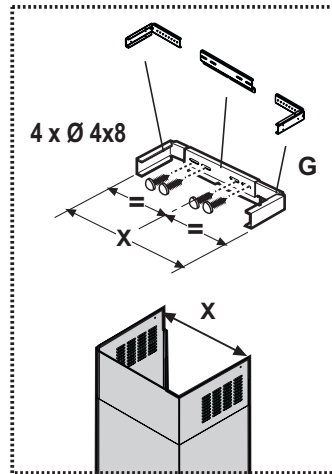
First decide which functioning version is better for you

If you decide to use the hood in exhausting version we suggest to position the upper section of the chimney so that the outlet slots are not visible once installation has ended, on the contrary if is decided to use the hood in recycling version **BE SURE** that the side with slots is up (see also A-B-C sequence).



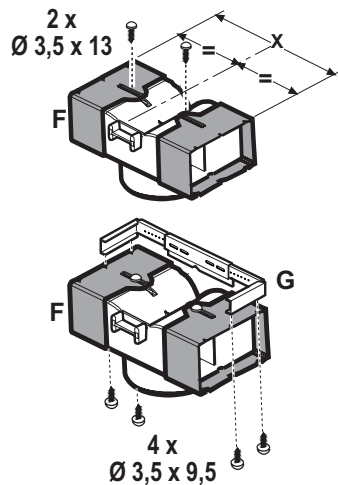
Assembling the chimney flue support/bracket (3 parts)

The three parts should be fixed with 4 screws, the support extension is adjustable and should correspond to the internal width of the telescopic chimney flue.



Assembling the deflector (3 parts – only for filter version):

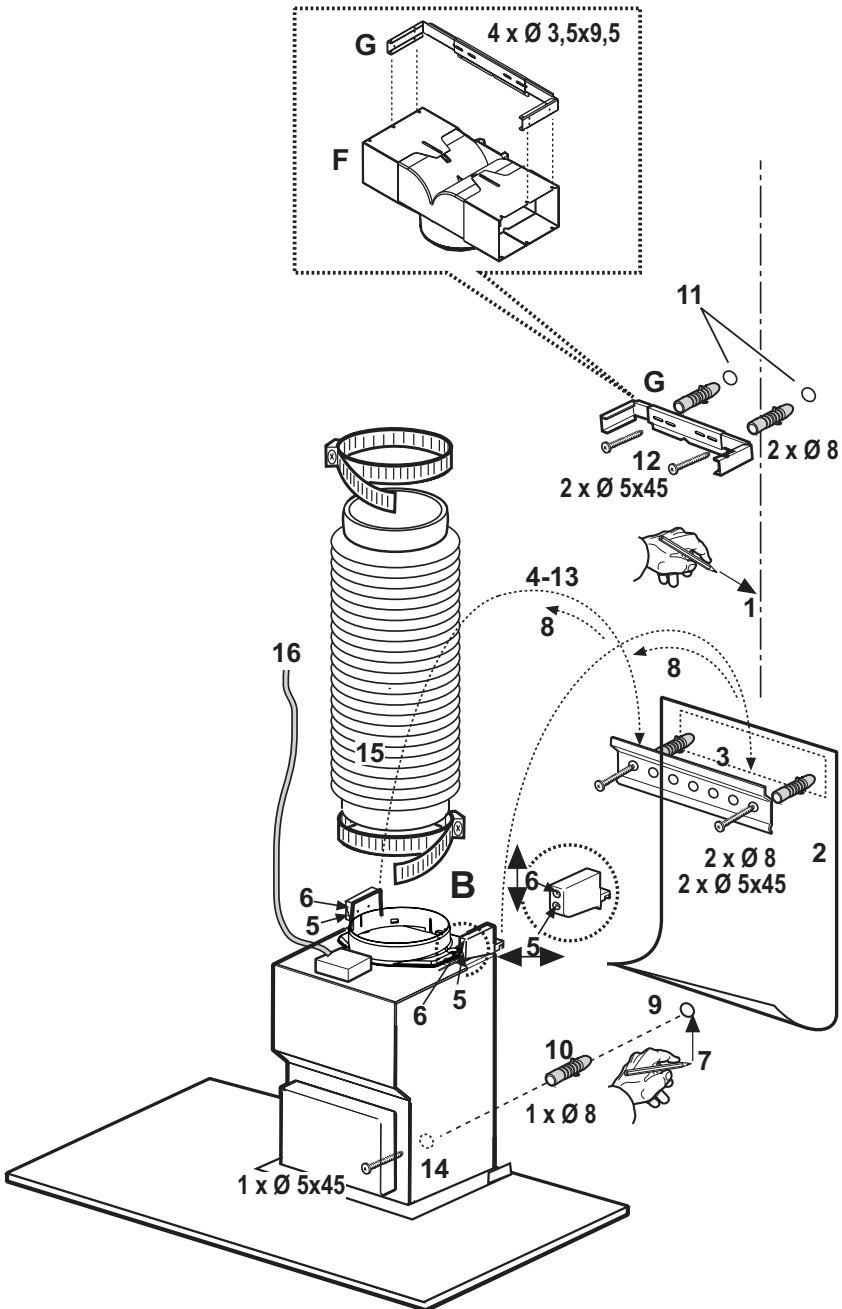
The three parts should be fixed with 2 screws, the deflector extension is adjustable and should correspond to the width of the chimney flue support, to which it is then fixed.



Make sure that the cooker hood is disconnected from the power supply before carrying out the installation.

Remove the anti-fat filter and the carbon filter support frame.

- Mark the wall with a centre line, this will aid mounting procedure **(1)**, position the template so that the mid line printed on the template matches with the centre line previously drawn, the lower side of the template corresponds to the lower side of the hood once mounted **(2)**.
- Drill two holes \varnothing 8mm and fix the support bracket with two wall plugs and screws **(3)**. Hang the hood **(4)** and adjust its position **(5-6)**.
- From the inside of the hood sign 1 point for definitive fixing **(7)**.
- Remove the hood **(8)** and drill 1 hole \varnothing 8mm **(9)**, fit 1 wall plug **(10)**.
- Drill two holes \varnothing 8mm on the upper side close to the ceiling, fit two wall plugs **(11)** (In case the hood is to be used in **filter version**, mount the deflector **F** on the chimney support with 4 screws) and fix the chimney support **G** with two screws **(12)**.
- Hang the hood again **(13)** and fix it definitively with 1 screw **(14)**.
- Fit an exhausting pipe **(15)** to connect the outlet hole **B** of the hood to the outside (Extractor hood) or to the deflector **F** (Filter version).
- Make electrical connection **(16)**.



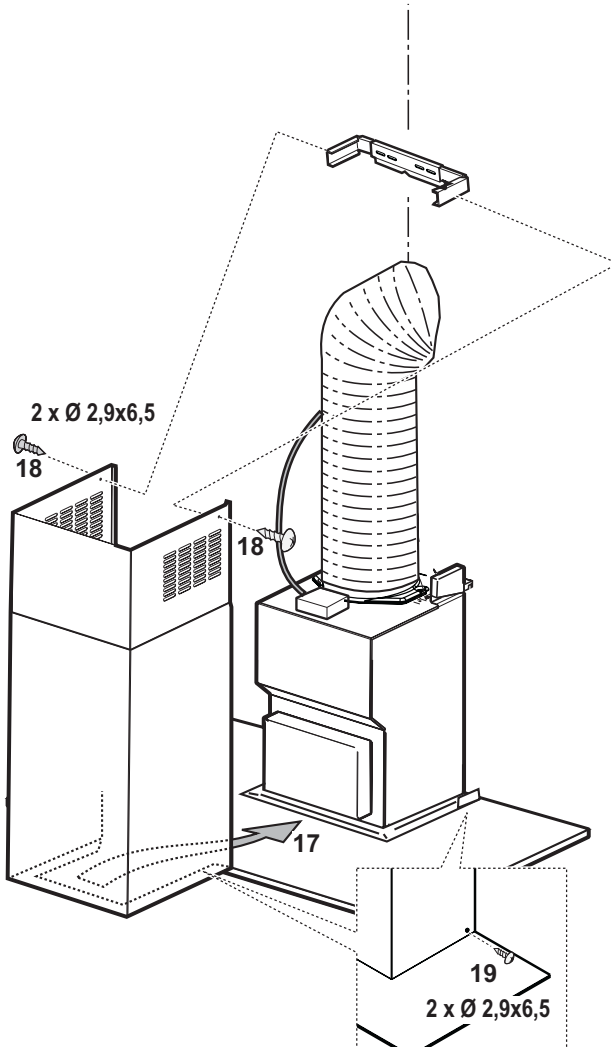
- Make the flue slide so that the bend of the section of the lower flue fits into the bend of the fixing bracket of the mantle (17).

Note: during this operation pull the upper flue out for a few centimetres to ease the fitting operation.

- Extract the upper flue and fix it high on flues support bracket **G** with 2 screws (one per side - 18).
- Fix the flue below with 2 screws (1 per side - 19).

Mount the carbon filter frame (only filtering version) and the anti-fat filter again.

Connect the hood to the mains electricity and check, finally, that it is functioning well.



Guarantee/Customer Service

Standard guarantee conditions

We, Electrolux, undertake that if within 12 months of the date of the purchase this Electrolux appliance or any part thereof is proved to be defective by reason only of faulty workmanship or materials, we will, at our option repair or replace the same FREE OF CHARGE for labour, materials or carriage on condition that:

- The appliance has been correctly installed and used only on the electricity supply stated on the rating plate.
- The appliance has been used for normal domestic purposes only, and in accordance with the manufacturer's instructions.
- The appliance has not been serviced, maintained, repaired, taken apart or tampered with by any person not authorised by us.
- Electrolux Service Force Centre must undertake all service work under this guarantee.
- Any appliance or defective part replaced shall become the Company's property.
- This guarantee is in addition to your statutory and other legal rights.

Exclusions

- Damage or calls resulting from transportation, improper use or neglect, the replacement of any light bulbs or removable parts of glass or plastic.
- Costs incurred for calls to put right an appliance which is improperly installed or calls to appliances outside the United Kingdom.

- Appliances found to be in use within a commercial environment, plus those which are subject to rental agreements.
- Products of Electrolux manufacturer that are not marketed by Electrolux

Service and Spare Parts

In the event of your appliance requiring service, or if you wish to purchase spare parts, please contact your local Service Force Centre by telephoning

0870 5 929 929

Your telephone call will be automatically routed to the Service Force Centre covering your postcode area.

For the address of your local Service Force Centre and further information about Service Force, please visit the website at

www.serviceforce.co.uk

Before calling out an engineer, please ensure you have read the details under the heading "Something not working" When you contact the Service Force Centre you will need to give the following details:

1. Your name, address and postcode.
2. Your telephone number.
3. Clear concise details of the fault.
4. The model and Serial number of the appliance (found on the rating plate).
5. The purchase date.

Please note a valid purchase receipt or guarantee documentation is required for in guarantee service calls.

Customer Care

For general enquiries concerning your Electrolux appliance, or for further information on Electrolux products please contact our Customer Care Department by letter or telephone at the address below or visit our website at www.electrolux.co.uk

Customer Care Department
Electrolux Major Appliances
Addington Way
Luton
Bedfordshire
LU4 9QQ
Tel: 08705 950 950 (*)

(*) Calls may be recorded for training purposes

European Guarantee

This appliance is guaranteed by Electrolux in each of the countries listed at the back of this user manual, for the period specified in the appliance guarantee or otherwise by law. If you move from one of these countries to another of the countries listed below the appliance guarantee will move with you subject to the following qualifications:-

- The appliance guarantee starts from the date you first purchased the appliance which will be evidenced by production of a valid purchase document issued by the seller of the appliance.
- The appliance guarantee is for the same period and to the same extent for labour and parts as exists in your new country of residence for this particular model or range of appliances.
- The appliance guarantee is personal to the original purchaser of the appliance and cannot be transferred to another user.
- The appliance is installed and used in accordance with instructions issued by Electrolux and is only used within the home, i.e. is not used for commercial purposes.
- The appliance is installed in accordance with all relevant regulations in force within your new country of residence.

The provisions of this European Guarantee do not affect any of the rights granted to you by law.

www.electrolux.com

		
Albania	+35 5 4 261 450	Rr. Pjeter Bogdani Nr. 7 Tirane
Belgique/België/ Belgien	+32 2 363 04 44	Bergensesteenweg 719, 1502 Lembeek
Česká republika	+420 2 61 12 61 12	Budjovická 3, Praha 4, 140 21
Danmark	+45 70 11 74 00	Sjællandsgade 2, 7000 Fredericia
Deutschland	+49 1803 22 66 22	Muggenhofer Str. 135, 90429 Nürnberg
Eesti	+37 2 66 50 030	Mustamäe tee 24, 10621 Tallinn
España	+34 902 11 63 88	Carretera M-300, Km. 29,900 Alcalá de Henares Madrid
France	www.electrolux.fr	
Great Britain	+44 8705 929 929	Addington Way, Luton, Bedfordshire LU4 9QQ
Hellas	+30 23 10 56 19 70	4 Limnou Str., 54627 Thessaloniki
Hrvatska	+385 1 63 23 338	Slavonska avenija 3, 10000 Zagreb
Ireland	+353 1 40 90 753	Long Mile Road Dublin 12
Italia	+39 (0) 434 558500	C.so Lino Zanussi, 26 - 33080 Porcia (PN)
Latvija	+37 17 84 59 34	Kr. Barona iela 130/2, LV-1012, Riga
Lietuva	+370 5 2780609	Verkiu 29, LT-09108 Vilnius
Luxembourg	+35 2 42 43 13 01	Rue de Bitbourg, 7, L-1273 Hamm
Magyarország	+36 1 252 1773	H-1142 Budapest XIV, Erzsébet királyné útja 87
Nederland	+31 17 24 68 300	Vennootsweg 1, 2404 CG – Alphen aan den Rijn
Norge	+47 81 5 30 222	Risløkkvn. 2 , 0508 Oslo
Österreich	+43 18 66 400	Herziggasse 9, 1230 Wien
Polska	+48 22 43 47 300	ul. Kolejowa 5/7, Warsaw
Portugal	+35 12 14 40 39 39	Quinta da Fonte - Edificio Gonçalves Zarco - Q 35 2774 - 518 Paço de Arcos
Romania	+40 21 451 20 30	Str. Garii Progresului 2, S4, 040671 RO
Schweiz/Suisse/ Svizzera	+41 62 88 99 111	Industriestrasse 10, CH-5506 Mägenwil

24 electrolux

		
Slovenija	+38 61 24 25 731	Tršaška 132, 1000 Ljubljana
Slovensko	+421 2 43 33 43 22	Electrolux Slovakia s.r.o., Electrolux Domáce spotrebièe SK, Seberániho 1, 821 03 Bratislava
Suomi		www.electrolux.fi
Sverige	+46 (0)771 76 76 76	Electrolux Service, S:t Göransgatan 143, S-105 45 Stockholm
Türkiye	+90 21 22 93 10 25	Tarlabası caddesi no : 35 Taksim Istanbul
Россия	+7 095 9377837	129090 Москва, Олимпийский проспект, 16, БЦ „Олимпик“

www.electrolux.com