

## RANGE COMPOSITION

A range of wall-mounted hoods used for snack applications and on the N700 and N900 Series cooking units. Their particular profile and the limited installation height makes them suitable for use in places with low ceilings. The range consists of hoods with 8 different lengths (1200, 1600, 2000, 2400, 2800, 3200, 3600 and 4000 mm) and a depth 900 mm.



# MASTER - MV line - 900 mm

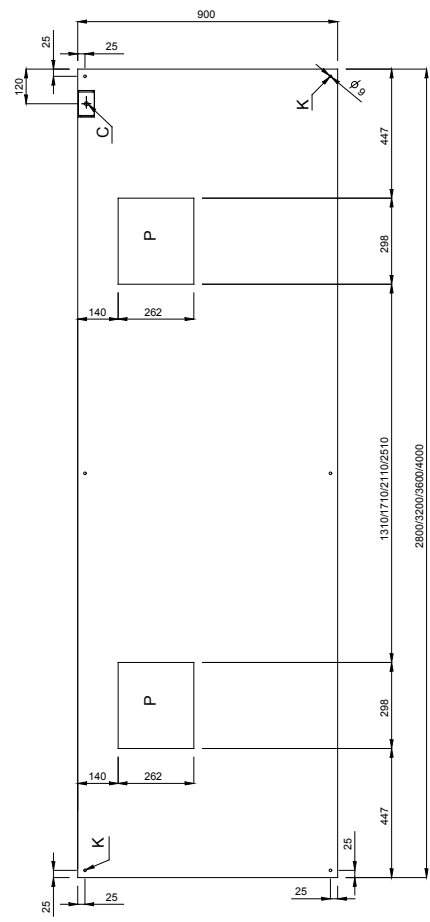
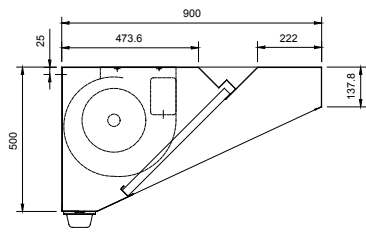
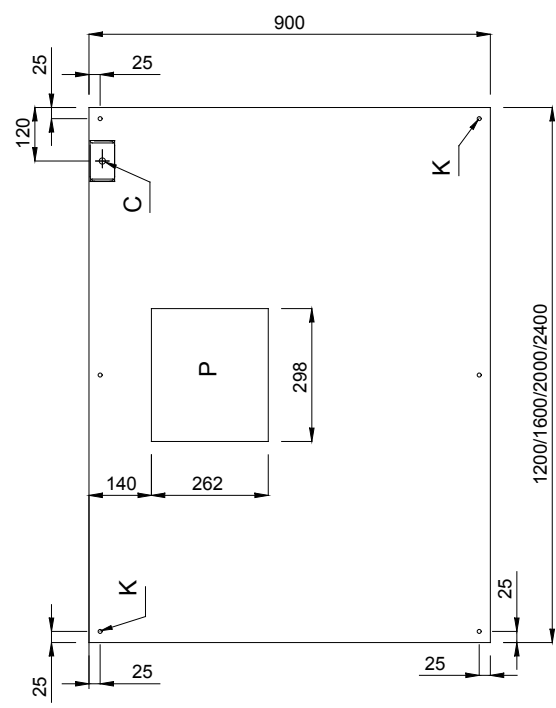
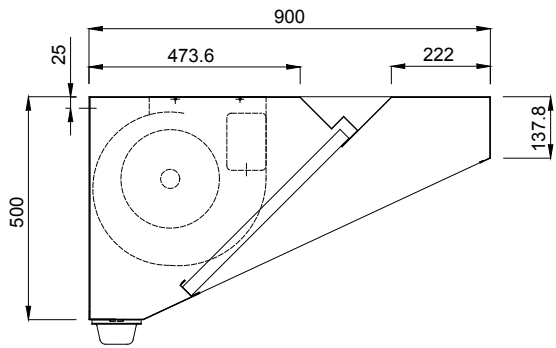
## 430 AISI WALL TYPE HOODS **ZANUSSI** PROFESSIONAL

### FUNCTIONAL AND CONSTRUCTION FEATURES

- ◆ Constructed entirely in 430 AISI stainless steel.
- ◆ Labyrinth filters in 430 AISI stainless steel easily removable for cleaning. Labyrinth filters guarantee constant filtration to avoid clogging and protect against fire.

- ◆ Powerful internal fan(s) 550 W.
- ◆ Back drain pipe with drain hole to transfer grease into a 304 AISI container.
- ◆ External panels with upturned edges to avoid injuries.
- ◆ Blind panels in 304 AISI stainless steel for a correct exhaustion.
- ◆ The outlet holes are sized in order to minimize drops in pressure.
- ◆ Pressure gauging for perfect calibration.
- ◆ Condensate collection tray in 304 AISI stainless steel.
- ◆ Eyebolts and screw anchors for ceiling installation.
- ◆ Prearranged for installation of lighting.

TECHNICAL DATA								
CHARACTERISTICS	MODELS							
	MPV912BT 642073	MPV916BT 642074	MPV920BT 642003	MPV924BT 642004	MPV928BT 642075	MPV932BT 642076	MPV936BT 642117	MPV940BT 642118
External dimensions - mm								
width	1200	1600	2000	2400	2800	3200	3600	4000
depth	900	900	900	900	900	900	900	900
height	500	500	500	500	500	500	500	500
Air Capacity - mc/h	3800	3800	3800	3800	7600	7600	7600	7600
Built-in fan - power W	550	550	550	550	550	550	550	550
Power - kW								
installed-electric	0.55	0.55	0.55	0.55	1.1	1.1	1.1	1.1
Net weight - kg.	30	37	44	51	67	77	82	87
Supply voltage	220/240 V, 1N, 50/60	220/240 V, 1N, 50/60	220/240 V, 1N, 50/60	220/240 V, 1N, 50/60	220/240 V, 1N, 50/60	220/240 V, 1N, 50/60	220/240 V, 1N, 50/60	220/240 V, 1N, 50/60
<b>INCLUDED ACCESSORIES</b>								
304 S/S BLIND PANEL 400X500H MM	1	1	1	1			1	1
430 S/S LABYRINTH FILTER H=500 MM	2	2	4	4	5	6	6	7



LEGEND								
	MPV912BT 642073	MPV916BT 642074	MPV920BT 642003	MPV924BT 642004	MPV928BT 642075	MPV932BT 642076	MPV936BT 642117	MPV940BT 642118
I - Electrical connection	220/240 V, 1N, 50/60	220/240 V, 1N, 50/60	220/240 V, 1N, 50/60	220/240 V, 1N, 50/60	220/240 V, 1N, 50/60	220/240 V, 1N, 50/60	220/240 V, 1N, 50/60	220/240 V, 1N, 50/60



OPTIONAL ACCESSORIES	MODELS							
	MPV912BT 642073	MPV916BT 642074	MPV920BT 642003	MPV924BT 642004	MPV928BT 642075	MPV932BT 642076	MPV936BT 642117	MPV940BT 642118
27-WATT LIGHTING FIXTURE W/1 LAMP-IP 65	680804		680804	680804			680804	680804
36-WATT LIGHTING FIXTURE W/1 LAMP-IP 65		680805			680805	680805	680805	680805
DRAIN FOR HOODS DIAM.1/2"(M) WITH PLUG	640409	640409	640409	640409	640409	640409	640409	640409
SPEED VARIATOR FOR MOTORS UP TO 1.17 KW	640076	640076	640076	640076				
SPEED VARIATOR FOR MOTORS UP TO 1.7 KW					640686	640686	640686	640686



www.zanussiprofessional.com