

RANGE COMPOSITION

A range of wall-mounted hoods with characteristic square shape that goes well with technological hoods, as well as offering sturdiness. This shape allows the container to hold fumes before making them flow to the filters. The range consists of hoods with 8 different lengths (1200, 1600, 2000, 2400, 2800, 3200, 3600 and 4000 mm) and 1400 mm deep.



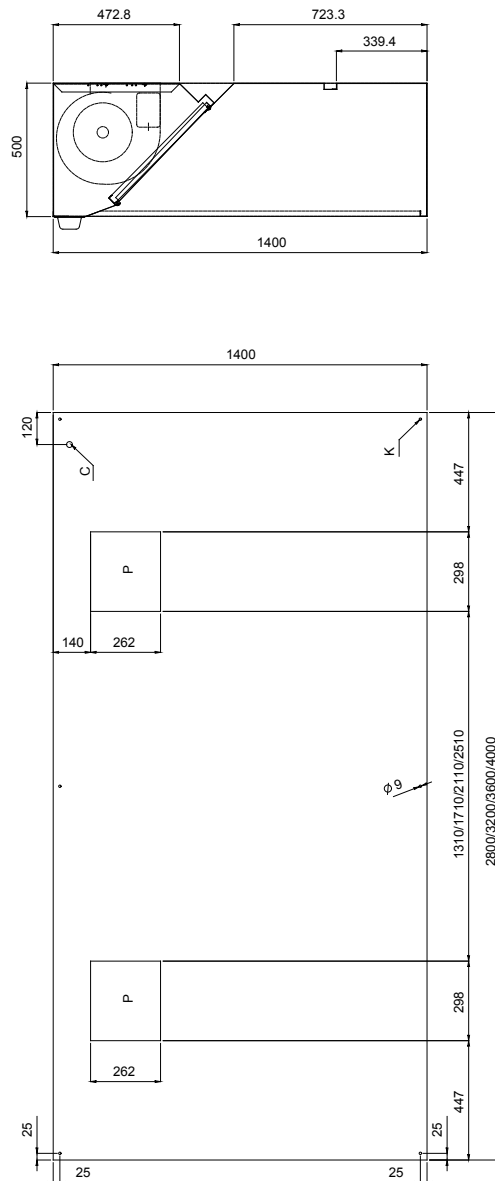
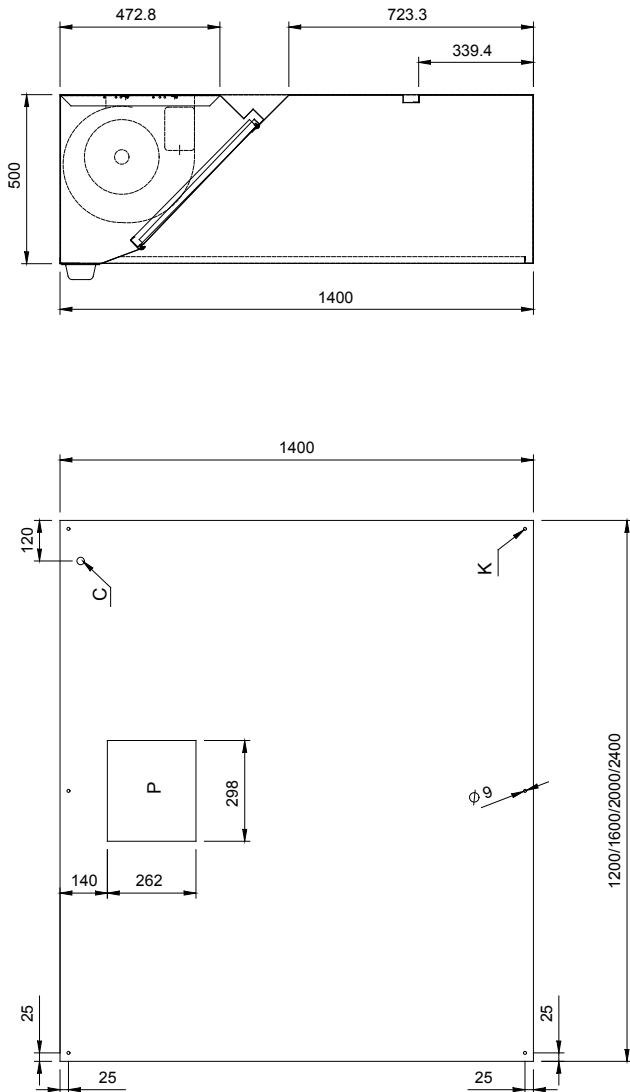
EXPORT - EV line - 1400 mm

304 AISI WALL TYPE HOODS **ZANUSSI** PROFESSIONAL

FUNCTIONAL AND CONSTRUCTION FEATURES

- ◆ Constructed entirely in 304 AISI stainless steel.
- ◆ Labyrinth filters in 304 AISI stainless steel easily removable for cleaning. Labyrinth filters guarantee constant filtration to avoid clogging and protect against fire.
- ◆ Powerful internal fan(s) 550 W.
- ◆ Lead hole for electric cable on top.
- ◆ Perimetral gutter with drain hole to transfer grease into a 304 AISI container.
- ◆ Blind panels in 304 AISI stainless steel for a correct exhaustion.
- ◆ The outlet holes are sized in order to minimize drops in pressure.
- ◆ Pressure gauging for perfect calibration.
- ◆ Condensate collection tray in 304 AISI stainless steel.
- ◆ Eyebolts and screw anchors for ceiling installation.
- ◆ Prearranged for installation of lighting.

TECHNICAL DATA								
CHARACTERISTICS	MODELS							
	EPV1412T 642255	EPV1416T 642256	EPV1420T 642257	EPV1424T 642258	EPV1428T 642259	EPV1432T 642260	EPV1436T 642261	EPV1440T 642262
External dimensions - mm								
width	1200	1600	2000	2400	2800	3200	3600	4000
depth	1400	1400	1400	1400	1400	1400	1400	1400
height	500	500	500	500	500	500	500	500
Air Capacity - mc/h	3800	3800	3800	3800	7600	7600	7600	7600
Net weight - kg.	47	56	64	73	91	100	108	117
INCLUDED ACCESSORIES								
304 S/S BLIND PANEL 400X500H MM	1	1	1	1			1	1
304 S/S LABYRINTH FILTER H=500 MM	2	2	4	4	5	6	6	7



LEGEND

	EPV1412T 642255	EPV1416T 642256	EPV1420T 642257	EPV1424T 642258	EPV1428T 642259	EPV1432T 642260	EPV1436T 642261	EPV1440T 642262
I - Electrical connection	220/240 V, 1N, 50/60	220/240 V, 1N, 50/60	220/240 V, 1N, 50/60	220/240 V, 1N, 50/60	220/240 V, 1N, 50/60	220/240 V, 1N, 50/60	220/240 V, 1N, 50/60	220/240 V, 1N, 50/60

OPTIONAL ACCESSORIES

ACCESSORIES	MODELS							
	EPV1412T 642255	EPV1416T 642256	EPV1420T 642257	EPV1424T 642258	EPV1428T 642259	EPV1432T 642260	EPV1436T 642261	EPV1440T 642262
27-WATT LIGHTING FIXTURE W/1 LAMP-IP 65	680804		680804	680804			680804	680804
36-WATT LIGHTING FIXTURE W/1 LAMP-IP 65		680805			680805	680805	680805	680805
DRAIN FOR HOODS DIAM. 1/2"(M) WITH PLUG	640409	640409	640409	640409	640409	640409	640409	640409
SPEED VARIATOR FOR MOTORS UP TO 1.17 KW	640076	640076	640076	640076				
SPEED VARIATOR FOR MOTORS UP TO 1.7 KW					640686	640686	640686	640686



www.zanussiprofessional.com