

RANGE COMPOSITION

A range of wall-mounted hoods that that can be paired with technological hoods offering sturdiness. The square shape of the container, makes them able to hold fumes before flowing to the filters. The range consists of hoods with 8 different lengths (1200, 1600, 2000, 2400, 2800, 3200, 3600 and 4000 mm) and 1400 mm deep.



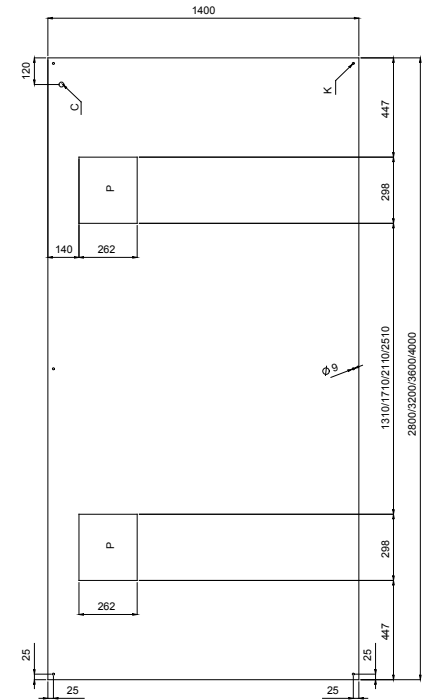
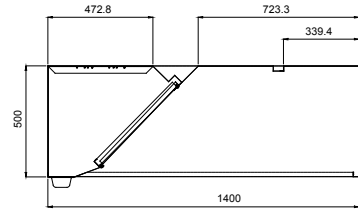
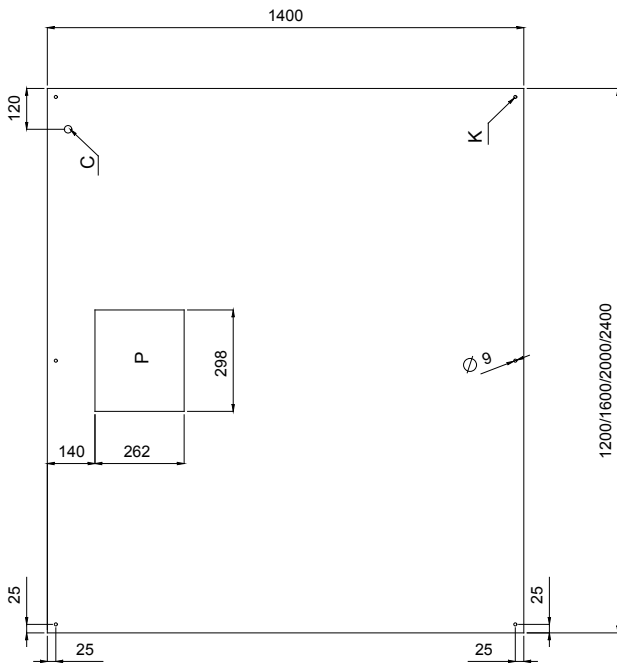
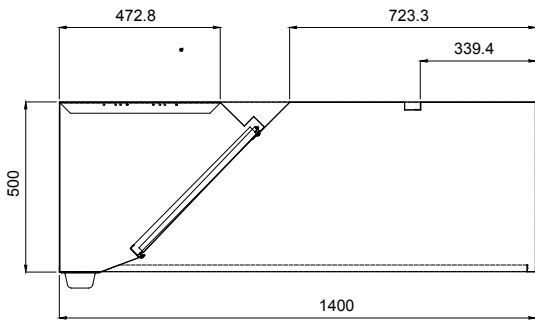
EXPORT - E line - 1400 mm

304 AISI WALL TYPE HOODS **ZANUSSI** PROFESSIONAL

FUNCTIONAL AND CONSTRUCTION FEATURES

- ◆ Constructed entirely in 304 AISI stainless steel.
- ◆ Labyrinth filters in 304 AISI stainless steel easily removable for cleaning. Labyrinth filters guarantee constant filtration to avoid clogging and protect against fire.
- ◆ Perimetral gutter with drain hole to transfer grease into a 304 AISI container.
- ◆ External panels with upturned edges to avoid injuries.
- ◆ Blind panels in 304 AISI stainless steel for a correct exhaustion.
- ◆ The outlet holes are sized in order to minimize drops in pressure.
- ◆ Pressure gauging for perfect calibration.
- ◆ Condensate collection tray in 304 AISI stainless steel.
- ◆ Eyebolts and screw anchors for ceiling installation.
- ◆ Prearranged for installation of lighting.

| TECHNICAL DATA | | | | | | | | |
|-----------------------------------|-------------------|-------------------|-------------------|-------------------|-------------------|-------------------|-------------------|-------------------|
| CHARACTERISTICS | MODELS | | | | | | | |
| | EP1412T 642023 | EP1416T 642024 | EP1420T 642025 | EP1424T 642026 | EP1428T 642011 | EP1432T 642027 | EP1436T 642028 | EP1440T 642029 |
| External dimensions - mm | | | | | | | | |
| width | 1200 | 1600 | 2000 | 2400 | 2800 | 3200 | 3600 | 4000 |
| depth | 1400 | 1400 | 1400 | 1400 | 1400 | 1400 | 1400 | 1400 |
| height | 500 | 500 | 500 | 500 | 500 | 500 | 500 | 500 |
| Air Capacity - mc/h | 1900 | 2500 | 3100 | 3700 | 4400 | 5000 | 5600 | 6200 |
| Net weight - kg. | 32 | 38 | 45 | 53 | 58 | 68 | 76 | 83 |
| INCLUDED ACCESSORIES | | | | | | | | |
| 304 S/S BLIND PANEL 400X500H MM | 1 | | 1 | 1 | | | 1 | 1 |
| 304 S/S LABYRINTH FILTER H=500 MM | | | | | 5 | 6 | 6 | 7 |



| OPTIONAL ACCESSORIES | | | | | | | | |
|------------------------------------------|-------------------|-------------------|-------------------|-------------------|-------------------|-------------------|-------------------|-------------------|
| ACCESSORIES | MODELS | | | | | | | |
| | EP1412T 642023 | EP1416T 642024 | EP1420T 642025 | EP1424T 642026 | EP1428T 642011 | EP1432T 642027 | EP1436T 642028 | EP1440T 642029 |
| 27-WATT LIGHTING FIXTURE W/1 LAMP-IP 65 | 680804 | | 680804 | 680804 | | | 680804 | 680804 |
| 36-WATT LIGHTING FIXTURE W/1 LAMP-IP 65 | | 680805 | | | 680805 | 680805 | 680805 | 680805 |
| DRAIN FOR HOODS DIAM. 1/2"(M) WITH PLUG | 640409 | 640409 | 640409 | 640409 | 640409 | 640409 | 640409 | 640409 |
| FAN FOR VENTIL HOODS+DUCTED EXTRACT.UNIT | 640748 | 640748 | 640748 | 640748 | 640748 | 640748 | 640748 | 640748 |
| SPEED VARIATOR FOR MOTORS UP TO 1.17 KW | 640076 | 640076 | 640076 | 640076 | | | | |
| SPEED VARIATOR FOR MOTORS UP TO 1.7 KW | | | | | 640686 | 640686 | 640686 | 640686 |



www.zanussiprofessional.com