

## RANGE COMPOSITION

A range of wall-mounted hoods guaranteeing a rational and versatile solution to extraction problems over most cooking appliances. The sloped front gives them a neat appearance while taking up less space, making them particularly suitable for small kitchens. The range consists of hoods with 8 different lengths (1200, 1600, 2000, 2400, 2800, 3200, 3600 and 4000 mm) and 1100 mm deep.



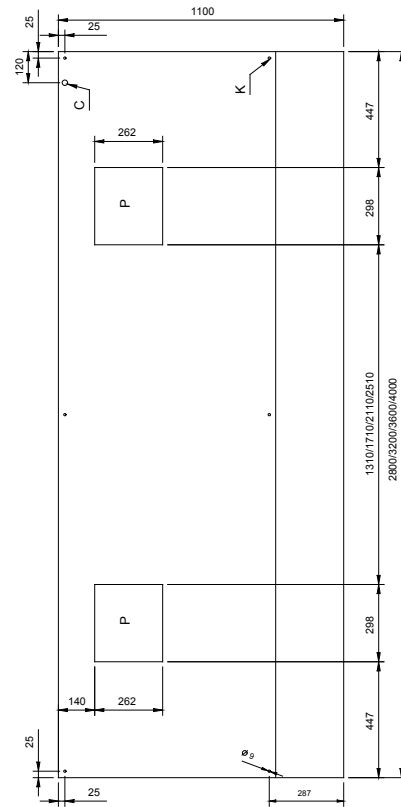
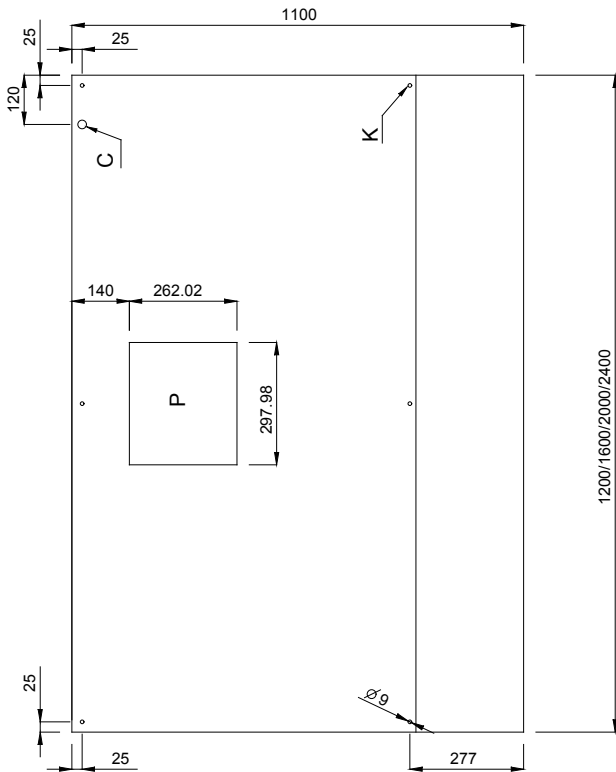
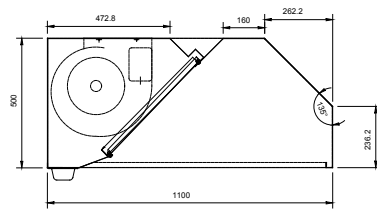
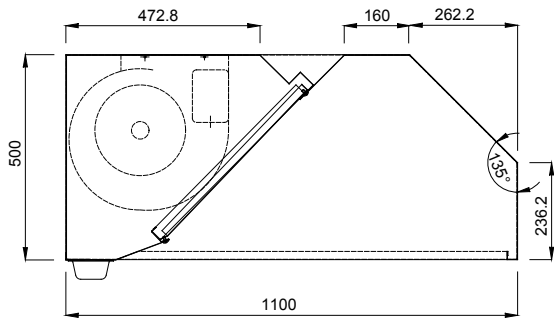
## BLOCK - BV line - 1100 mm

### 304 AISI WALL TYPE HOODS **ZANUSSI** PROFESSIONAL

#### FUNCTIONAL AND CONSTRUCTION FEATURES

- ◆ Constructed entirely in 304 AISI stainless steel.
- ◆ Labyrinth filters in 304 AISI stainless steel easily removable for cleaning. Labyrinth filters guarantee constant filtration to avoid clogging and protect against fire.
- ◆ Powerful internal fan(s) 550 W.
- ◆ Lead hole for electric cable on top.
- ◆ Perimetral gutter with drain hole to transfer grease into a 304 AISI container.
- ◆ External panels with upturned edges to avoid injuries.
- ◆ Blind panels in 304 AISI stainless steel for a correct exhaustion.
- ◆ The outlet holes are sized in order to minimize drops in pressure.
- ◆ Pressure gauging for perfect calibration.
- ◆ Condensate collection tray in 304 AISI stainless steel.
- ◆ Eyebolts and screw anchors for ceiling installation.
- ◆ Prearranged for installation of lighting.

TECHNICAL DATA		MODELS							
CHARACTERISTICS	BPV1112DT 642181	BPV1116DT 642182	BPV1120DT 642183	BPV1124DT 642184	BPV1128DT 642185	BPV1132DT 642186	BPV1136DT 642187	BPV1140DT 642188	
External dimensions - mm									
width	1200	1600	2000	2400	2800	3200	3600	4000	
depth	1100	1100	1100	1100	1100	1100	1100	1100	
height	500	500	500	500	500	500	500	500	
Air Capacity - mc/h	3800	3800	3800	3800	7600	7600	7600	7600	
Net weight - kg.	38	55	63	71	79	92	100	109	
<b>INCLUDED ACCESSORIES</b>									
304 S/S BLIND PANEL 400X500H MM	1	1	1	1			1	1	
304 S/S LABYRINTH FILTER H=500 MM	2	2	4	4	5	6	6	7	



**LEGEND**

	BPV1112DT 642181	BPV1116DT 642182	BPV1120DT 642183	BPV1124DT 642184	BPV1128DT 642185	BPV1132DT 642186	BPV1136DT 642187	BPV1140DT 642188
I - Electrical connection	220/240 V, 1N, 50/60	220/240 V, 1N, 50/60	220/240 V, 1N, 50/60	220/240 V, 1N, 50/60	220/240 V, 1N, 50/60	220/240 V, 1N, 50/60	220/240 V, 1N, 50/60	220/240 V, 1N, 50/60



**OPTIONAL ACCESSORIES**

ACCESSORIES	MODELS							
	BPV1112DT 642181	BPV1116DT 642182	BPV1120DT 642183	BPV1124DT 642184	BPV1128DT 642185	BPV1132DT 642186	BPV1136DT 642187	BPV1140DT 642188
27-WATT LIGHTING FIXTURE W/1 LAMP-IP 65	680804		680804	680804			680804	680804
36-WATT LIGHTING FIXTURE W/1 LAMP-IP 65		680805			680805	680805	680805	680805
DRAIN FOR HOODS DIAM.1/2"(M) WITH PLUG	640409	640409	640409	640409	640409	640409	640409	640409
SPEED VARIATOR FOR MOTORS UP TO 1.17 KW	640076	640076	640076	640076				
SPEED VARIATOR FOR MOTORS UP TO 1.7 KW					640686	640686	640686	640686



www.zanussiprofessional.com