

## RANGE COMPOSITION

A range of central hoods guaranteeing a rational and versatile solution to extraction problems over most cooking appliances. The models detailed on this sheet are two hoods, in static or ventilated version, specific for pot and pan washers.



## HOODS FOR POT AND PAN WASHERS **ZANUSSI** PROFESSIONAL

### FUNCTIONAL AND CONSTRUCTION FEATURES

◆ Constructed entirely in 304 AISI stainless steel.

◆ Built-in fan automatically driven by a probe which controls the fan speed based on the quantity of steam produced. This model require a direct and independent air duct.

◆ Perimetral gutter to collect steam condensation.

◆ External panels with upturned edges to avoid injuries.

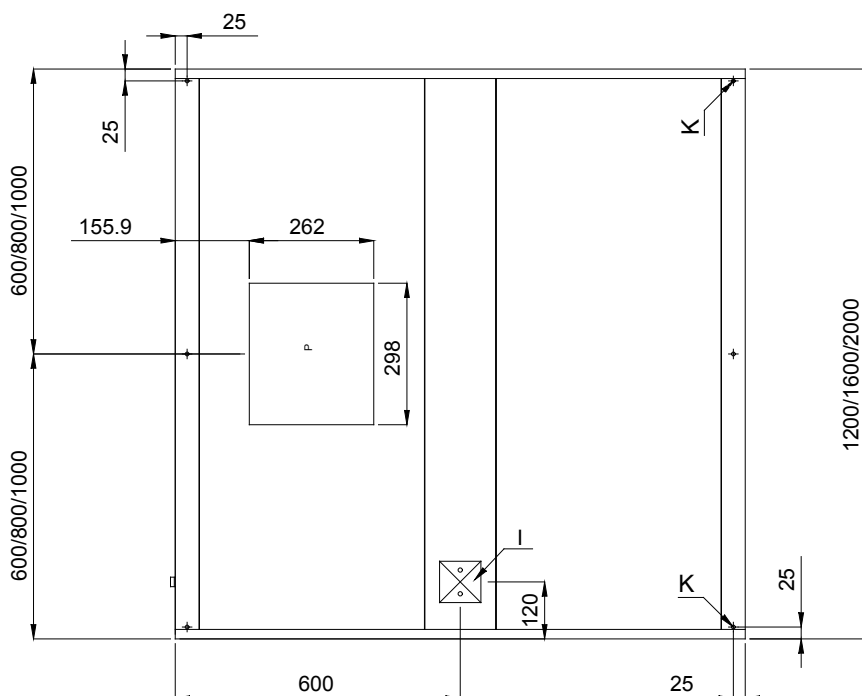
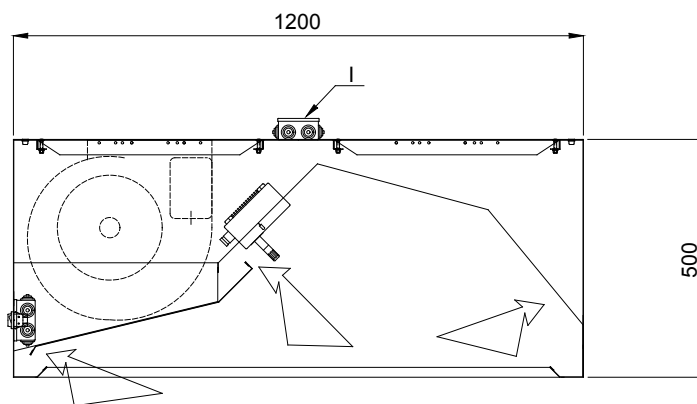
◆ The outlet holes are sized in order to minimize drops in pressure.

◆ Pressure gauging for perfect calibration.

◆ Internal baffle to facilitate collection and steam condensation.

◆ Eyebolts and screw anchors for ceiling installation.

TECHNICAL DATA			
CHARACTERISTICS	MODELS		
	AVC1212 641700	AVC1216 641701	AVC1220 641702
External dimensions - mm			
width	1200	1600	2000
depth	1200	1200	1200
height	500	500	500
Air Capacity - mc/h	3800	3800	3800
Power - kW			
installed-electric	0.55	0.55	0.55
Net weight - kg.	70	89	99
<b>INCLUDED ACCESSORIES</b>			
304 S/S BLIND PANEL 400X500H MM			1
430 S/S LABYRINTH FILTER H=500 MM			4



LEGEND			
	AVC1212 641700	AVC1216 641701	AVC1220 641702
I - Electrical connection	230 V, 1N, 50/60	230 V, 1N, 50/60	230 V, 1N, 50/60



OPTIONAL ACCESSORIES			
ACCESSORIES	MODELS		
	AVC1212 641700	AVC1216 641701	AVC1220 641702
27-WATT LIGHTING FIXTURE W/1 LAMP-IP 65	680804	680804	680804
45-WATT LIGHTING FIXTURE W/2 LAMPS-IP 65			680806



www.zanussiprofessional.com