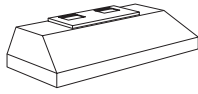
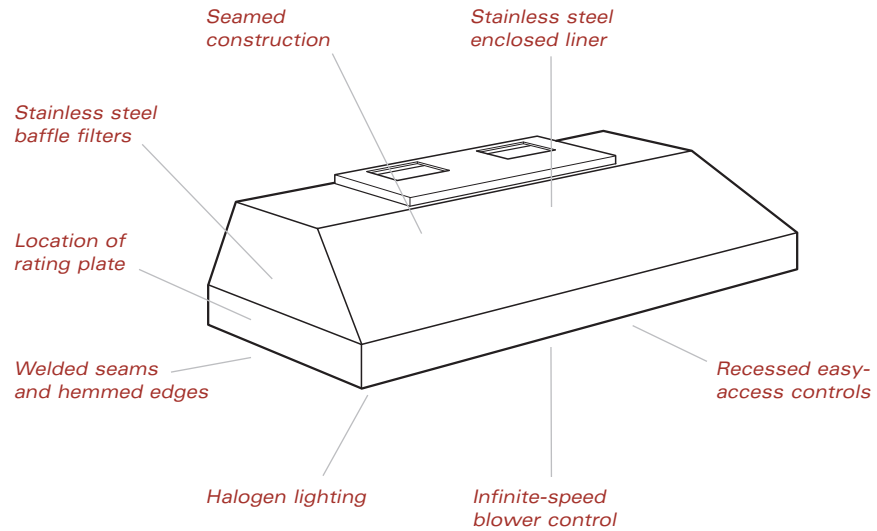


Pro Ventilation Hood Liner
MODEL PL522212



Model PL522212



► Wolf Model PL522212 Pro hood liner will accommodate a 54" (1372) wide decorative hood. Pro hood liners are sold as a shell only; internal, in-line and remote blower options are available.

Wolf Pro hood liners allow you to incorporate superior ventilation within your kitchen design. Whether you prefer French country or modernist, Pro hood liners take care of the interior design, with true superior ventilation. All you have to do is decide what it will look like.

Sometimes referred to as power packs, these liners bring all of the controls, lighting and convenience of our Pro ventilation line for those applications with a custom exterior treatment.

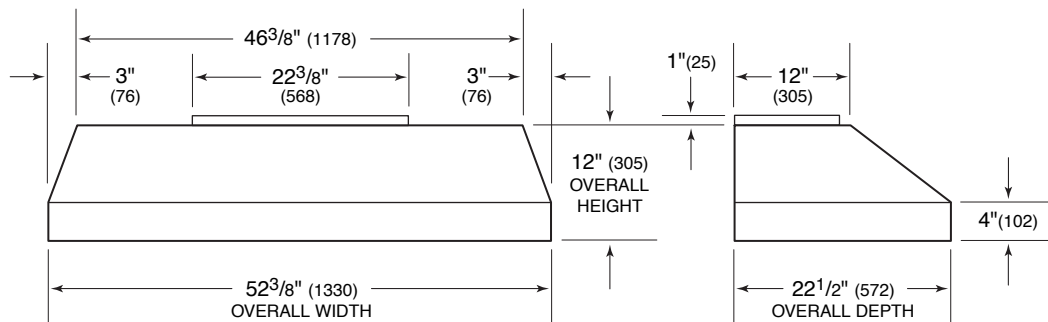
Pro ventilation hood liners are recommended for use with all Wolf cooking appliances. Model PL522212 will accommodate a 54" (1372) wide decorative hood.

Pro Ventilation Hood Liner
MODEL PL522212

FEATURES

- ▶ Hood liner will accommodate a 54" (1372) wide decorative hood
 - ▶ Internal, in-line and remote blower options
 - ▶ Stainless steel enclosed liner with seamed construction
 - ▶ Recessed easy-access controls
 - ▶ Infinite-speed blower control
 - ▶ Heat sentry feature automatically turns unit on when heat is sensed and automatically adjusts blower speed
- ▶ Halogen lighting with two settings
 - ▶ Removable, dishwasher-safe, restaurant-grade stainless steel baffle filters
 - ▶ Transition with backdraft damper included
 - ▶ UL listed to US and Canadian safety standards
 - ▶ Two and five year residential warranty—exclusions apply; warranty information can be found on our website, wolfappliance.com

OVERALL DIMENSIONS ▼



Model PL522212

Unit dimensions may vary by ± 1/8" (3).

Dimensions in parentheses are in millimeters unless otherwise specified.

Pro Ventilation Hood Liner
MODEL PL522212

BLOWER OPTIONS ▼

1200 CFM Internal Blower	805087
1100 CFM In-Line Blower	808332
900 CFM Remote Blower	801641
1200 CFM Remote Blower	801642
1500 CFM Remote Blower	804701

Refer to Pro Ventilation Recommendations at the end of this section.

ACCESSORIES

- ▶ 38" (965) high classic stainless steel backsplash with or without warming racks

Accessories are available through your Wolf dealer. To obtain local dealer information, visit the Showroom Locator section of our website, wolfappliance.com.

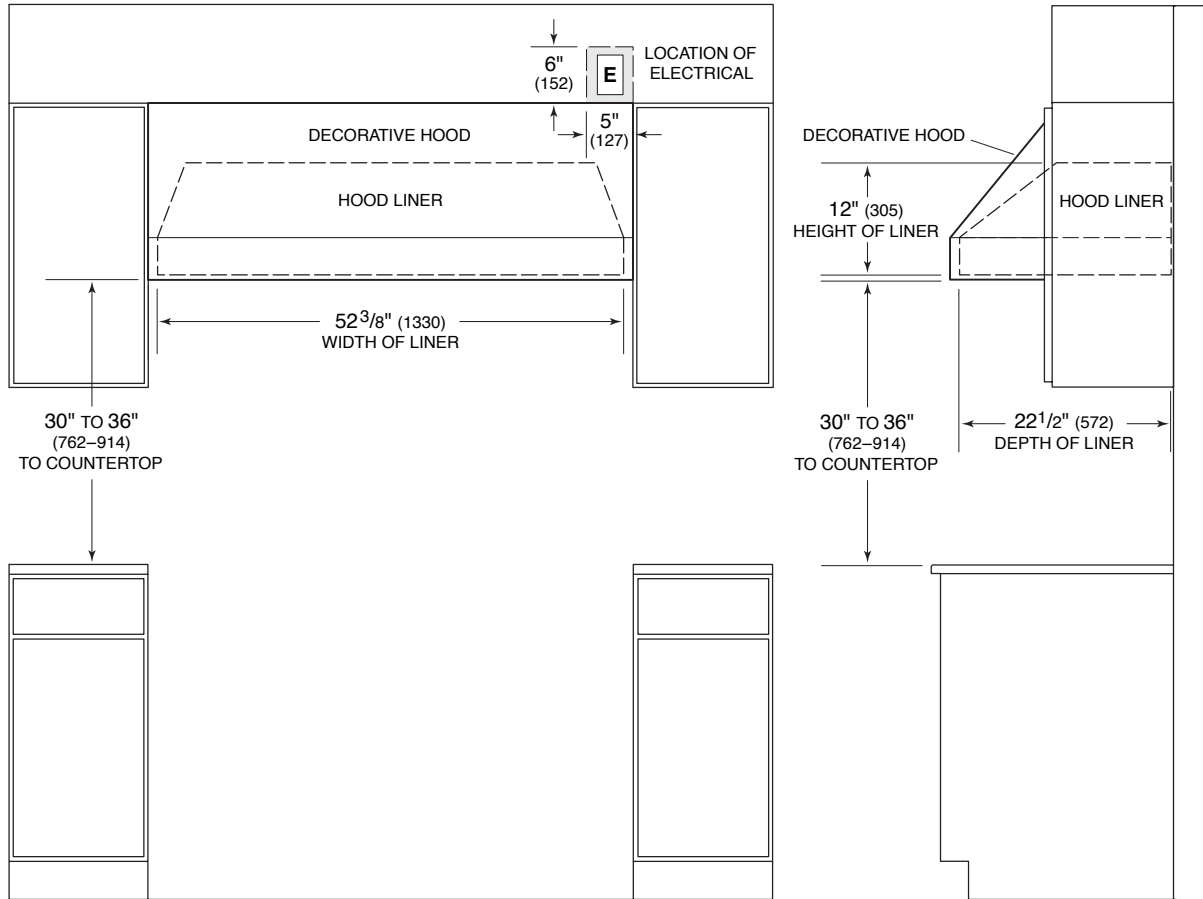
SPECIFICATIONS ▼

Overall Width of Liner	52 ³ / ₈ " (1330)
Overall Height of Liner	12" (305)
Overall Depth of Liner	22 ¹ / ₂ " (572)
Internal Blower Option	1200 CFM
In-Line Blower Option	1100 CFM
Remote Blower Options	900, 1200 or 1500 CFM
Discharge	Vertical
Duct Size	10" (254) Round
Electrical Supply Requirements	110/120 V AC, 60 Hz 15 amp dedicated circuit
Shipping Weight (shell only)	76 lbs (34 kg)

Specifications are subject to change without notice.

Pro Ventilation Hood Liner
MODEL PL522212

INSTALLATION SPECIFICATIONS



DIMENSIONS

Overall Width of Liner	52 ³ / ₈ " (1330)
Overall Height of Liner	12" (305)
Overall Depth of Liner	22 ¹ / ₂ " (572)
Countertop to Bottom of Decorative Hood	30" (762) to 36" (914)
Location of Electrical	Within shaded area

See Installation Instructions shipped with unit for detailed specifications.

Pro Ventilation Hood Liner

MODEL PL522212

INSTALLATION NOTES

- ▶ Refer to the illustrations and specifications for overall dimensions and installation specifics.
- ▶ Wolf Pro ventilation hood liners are recommended for use with any Wolf cooking appliance, and should be as least as wide as the cooking surface. It is recommended that the hood overlap the cooking surface by 3" (76) on either side.
- ▶ Installation of all Pro hood liners should be 30" (762) to 36" (914) from the bottom of the decorative hood to the countertop. Follow the dimensions shown in the Installation illustration on page 4.
- ▶ Wolf Pro hood liners are shipped without a blower assembly. Internal, in-line or remote blower assemblies are available. Blower options also vary with the volume of air that needs to be moved and the length of the duct run. Refer to the charts at the end of this section for Pro ventilation recommendations and blower options.

IMPORTANT NOTE: Install this ventilation hood liner only with a Wolf blower.

- ▶ Pro hood liners require a separate, grounded 110/120 V AC, 60 Hz power supply. The service should have its own 15 amp circuit breaker. Placement of the electrical supply is not critical, as long as you provide enough 120 V AC, 60 Hz power cable to make the electrical connection. Locate electrical within the shaded area shown in the Installation illustration on page 4.

- ▶ You must follow all National Electrical Code regulations. In addition, be aware of local codes and ordinances when installing your service.
- ▶ A decorative hood can be created out of wood, plaster, tile or metal. The shape of the decorative hood is not critical. The only place where the liner and outside cover must meet is at the bottom edge of the metal liner. The decorative hood and liner must fit at the bottom edge in both width and depth.
- ▶ The height of the liner does not have to be the same as the height of the decorative hood and is generally shorter.
- ▶ The top depth of the liner, which is 12" (305) standard, must be less than the interior depth of the decorative hood. Measure the interior depth of the hood at the top height of the liner to make sure the liner will fit inside the decorative hood.
- ▶ The hood liner comes standard with a 4" (102) lower reveal. Be sure to include this dimension in your decorative hood selection.
- ▶ Always use the interior measurements of the decorative hood and measure in multiple places. Use the smallest dimensions to verify hood liner specifications.
- ▶ Refer to the installation instructions shipped with each Wolf product for detailed specifications. This information can also be found on our website, wolfappliance.com.

Pro Ventilation Hood Liner
MODEL PL522212

DUCTING CONSIDERATIONS

Wolf Pro hood liners are shipped without the blower assembly. Internal, in-line and remote blower assemblies are available.

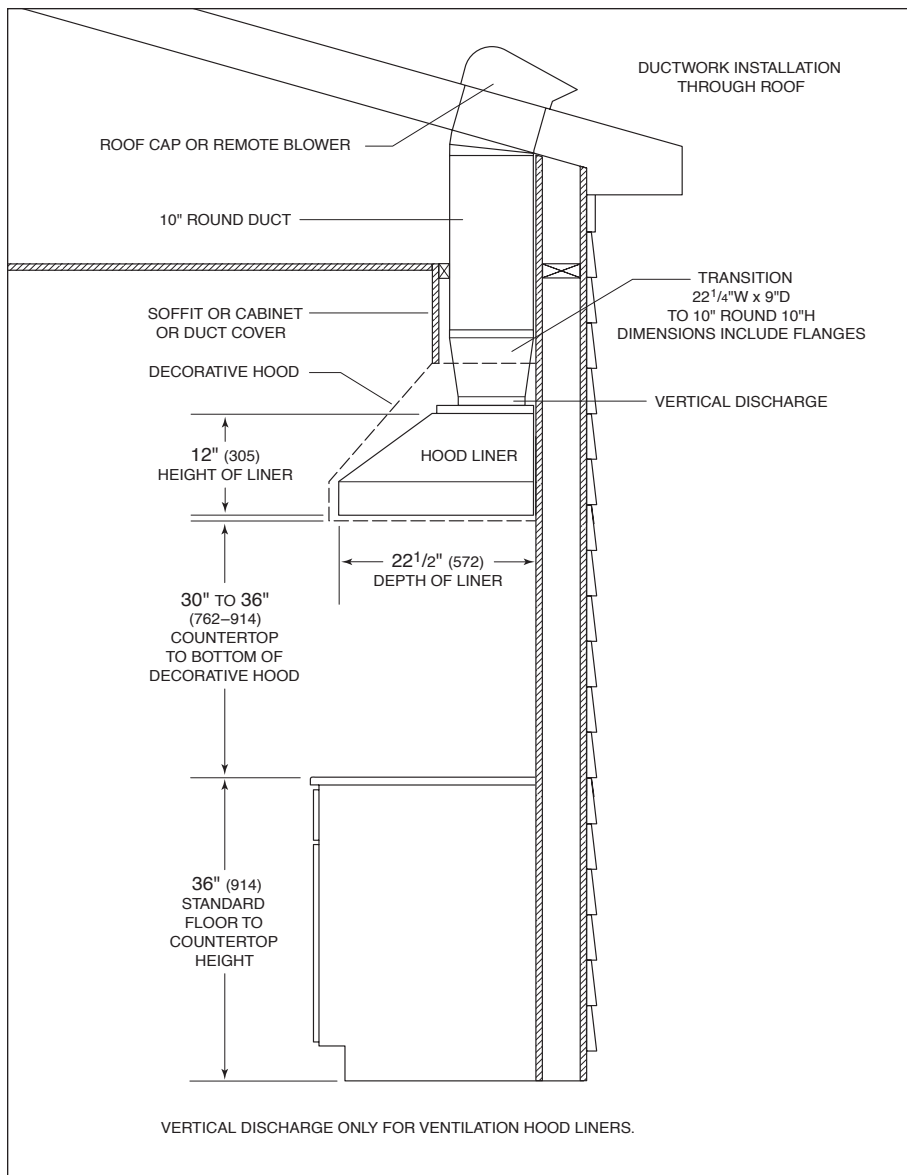
IMPORTANT NOTE: Install this ventilation hood liner only with a Wolf blower.

Pro hood liners have a vertical discharge location with 10" (254) round duct. A transition with backdraft damper is included. The hood liner will operate most efficiently when ductwork does not exceed 50' (15 m) in length.

Local building codes may require the use of make-up air. Consult your local HVAC professional for specific requirements in your area.

IMPORTANT NOTE: Wolf Pro hood liners must be vented to the outside. Use only metal ductwork.

Refer to the illustration below for ducting considerations for Pro ventilation hood liners.



Ducting for Pro ventilation hood liners.

Dimensions in parentheses are in millimeters unless otherwise specified.

Pro Ventilation Hood Liner
MODEL PL522212

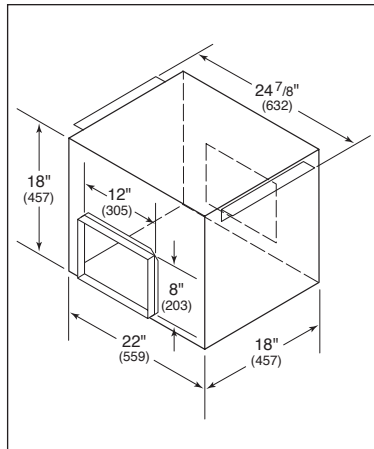
WOLF BLOWER ASSEMBLIES

A ventilation system must include a blower assembly. Wolf ventilation hood liners are shipped without the blower assembly. An internal, in-line or remote blower assembly must be selected to accommodate the cooking appliance, CFM requirements and homeowner preferences. Internal, in-line and remote blower assemblies are available as sales accessories through your Wolf dealer.

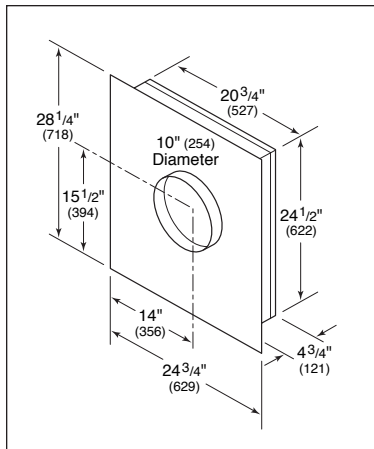
IMPORTANT NOTE: Use only a Wolf blower with all Wolf ventilation products.

Internal blowers are mounted inside the hood liner canopy. In-line blowers are mounted in between the hood liner and the exterior of the home. Remote blowers can be mounted on the roof or in some cases, on an exterior wall. Refer to the illustrations below for dimensions of Wolf in-line and remote blowers.

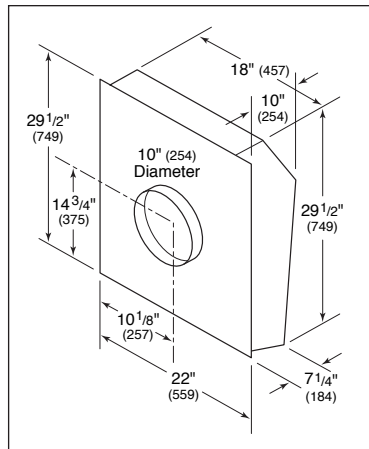
Pro ventilation recommendation charts on the following page provide minimum CFM recommendations according to the cooking appliance and hood liner used and blower options for each specific Pro hood liner.



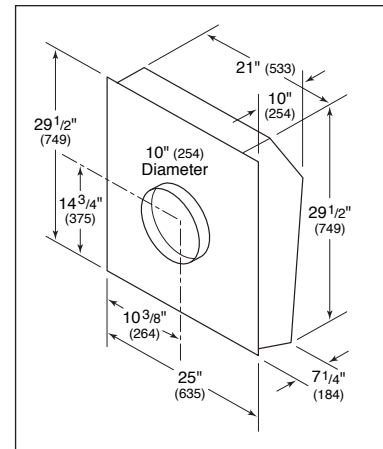
In-line BLOWER-110IL



Remote BLOWER-90REM



Remote BLOWER-120REM



Remote BLOWER-150REM

Unit dimensions may vary by ± 1/8" (3).

Dimensions in parentheses are in millimeters unless otherwise specified.

Pro Ventilation Hood Liner
MODEL PL522212

PRO VENTILATION CFM RECOMMENDATIONS

Pro Hood Liners

Model	PL342212	PL402212	PL462212	PL522212	PL582212
DF304 / R304 / SRT304	600	600			
DF366 / R366 / SRT366 / RT366	900	900			
DF364 / R364 / SRT364 / RT364	900	900			
RT362	900	900			
R488 / RT488			1100	1100	
DF486 / R486 / SRT486 / RT486			1100	1100	
DF484 / R484 / SRT484 / RT484			900	900	
DF606 / R606					1500
DF604					1500

Minimum CFM requirements for Wolf ranges and rangetops. CFM recommendations are based on total Btu/hr output. Additional CFM may be required for charbroilers, griddles and long duct runs.

PRO VENTILATION BLOWER OPTIONS

Pro Hood Liners

Blower Description	Blower Number	Hood Liner Models
1200 CFM Internal	LBLOWER-120INT (805087)	All Hood Liners
1100 CFM In-Line	BLOWER-110IL (808332)	All Hood Liners
900 CFM Remote	BLOWER-90REM (801641)	All Hood Liners
1200 CFM Remote	BLOWER-120REM (801642)	All Hood Liners
1500 CFM Remote	BLOWER-150REM (804701)	All Hood Liners