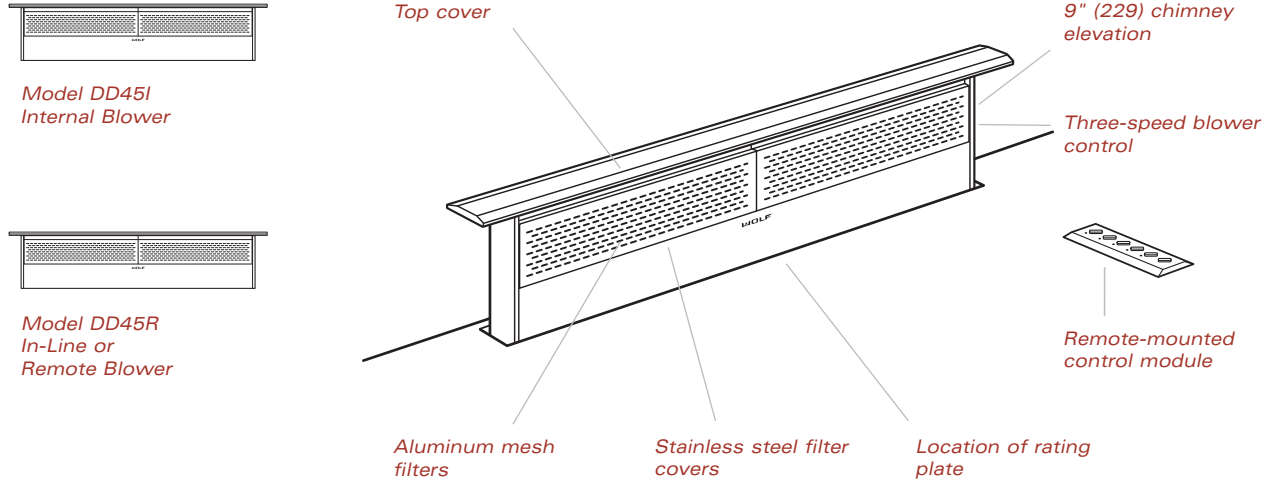


## Models DD45I and DD45R Downdraft Systems



► Model DD45I 45" (1143) downdraft ventilation system includes a 500 CFM internal blower. In-line and remote blower options are available for Model DD45R. Control module and top cover come in classic stainless steel only and are included with the downdraft.

**T**he cooktop downdraft unit rises from the countertop to whisk away odors and smoke into the easy-to-clean, five-layer mesh filter. The control module and top cover come in classic stainless steel only and are included with the downdraft.

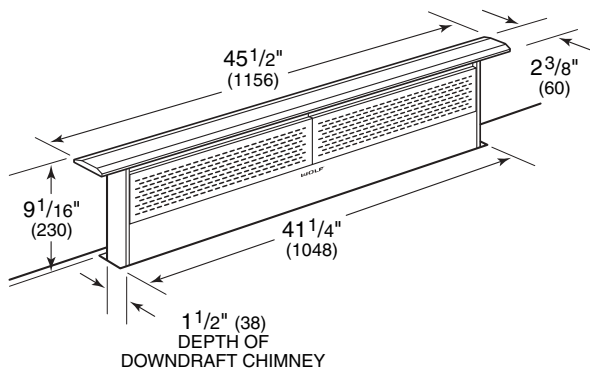
Wolf downdraft ventilation systems are recommended for use with Wolf electric and gas cooktops and integrated modules, excluding the unframed electric cooktops and electric grill, steamer and fryer modules. Wolf downdraft systems cannot be used with Wolf dual fuel ranges, gas ranges, sealed burner rangetops and gas rangetops.

## Models DD45I and DD45R Downdraft Systems

### FEATURES

- ▶ Control module and top cover are available in the classic stainless steel finish only
- ▶ Remote-mounted control module
- ▶ Internal, in-line and remote blower options
- ▶ Three-speed blower control
- ▶ Filter clean timer lets you know when the filter needs cleaning
- ▶ Delay-off feature automatically turns unit off, chimney remains up
- ▶ Stainless steel filter cover with dishwasher safe aluminum mesh filter
- ▶ LED indicators
- ▶ 9" (229) chimney elevation
- ▶ Control module, top cover, mounting brackets, DIN connector and necessary hardware included with the downdraft
- ▶ UL listed to US and Canadian safety standards
- ▶ Two and five year residential warranty - exclusions apply; warranty information can be found on our website, wolfappliance.com

### OVERALL DIMENSIONS ▼



*Dimensions may vary by  $\pm\frac{1}{8}"$  (3).*

*Dimensions in parentheses are in millimeters unless otherwise specified.*

## Models DD45I and DD45R Downdraft Systems

### MODEL OPTIONS ▼

Downdraft with 500 CFM Internal Blower Included	DD45I
Downdraft Only — In-Line or Remote Blower Required	DD45R

*Control module, top cover, mounting brackets, DIN connector and mounting hardware included with the downdraft.*

*For Model DD45R see in-line and remote blower options below.*

### BLOWER OPTIONS ▼

1100 CFM In-Line Blower	808332
900 CFM Remote Blower	801641
1200 CFM Remote Blower	801642
1500 CFM Remote Blower	804701

*Refer to the Wolf Cooktop Ventilation Recommendations chart at the end of this section.*

### ACCESSORIES

- Transitions in various sizes

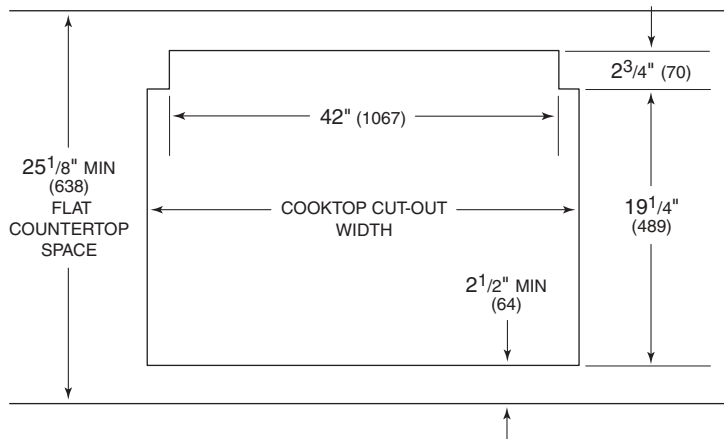
*Accessories are available through your Wolf dealer. To obtain local dealer information, visit the Locator section of our website, [wolfappliance.com](http://wolfappliance.com).*

### SPECIFICATIONS ▼

Overall Width	45 <sup>1</sup> / <sub>2</sub> " (1156)
Overall Height (above countertop)	9 <sup>1</sup> / <sub>16</sub> " (230)
Overall Depth	2 <sup>3</sup> / <sub>8</sub> " (60)
Duct Size (Model DD45I)	3 <sup>1</sup> / <sub>4</sub> " (83) x 10" (254)
Duct Size (Model DD45R)	3 <sup>1</sup> / <sub>4</sub> " (83) x 14" (356)
Discharge	Adjustable
Electrical Supply Requirements	110/120 V AC, 60 Hz 15 amp dedicated circuit
Power Cord	2 <sup>1</sup> / <sub>2</sub> ' (.8 m) power cord with 3-prong grounded plug
Shipping Weight	85 lbs (39 kg)

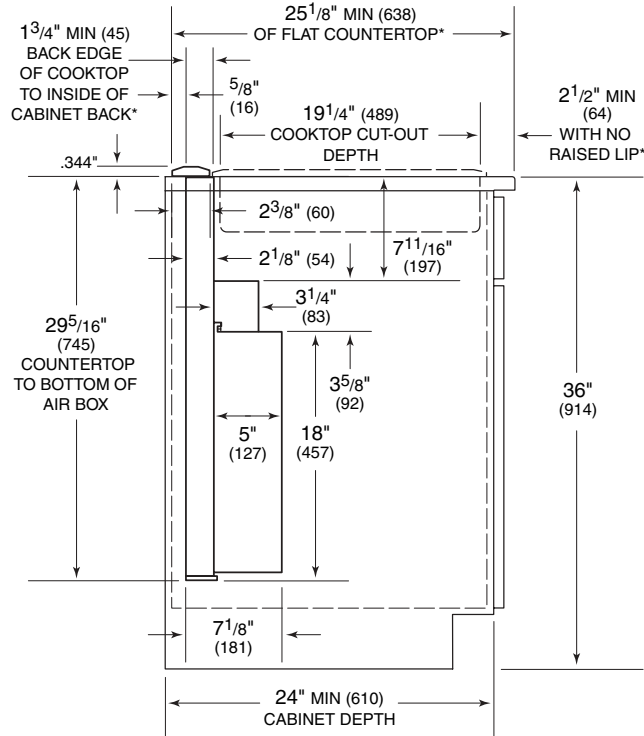
- *Specifications are subject to change without notice.*

### COUNTERTOP CUT-OUT ▼



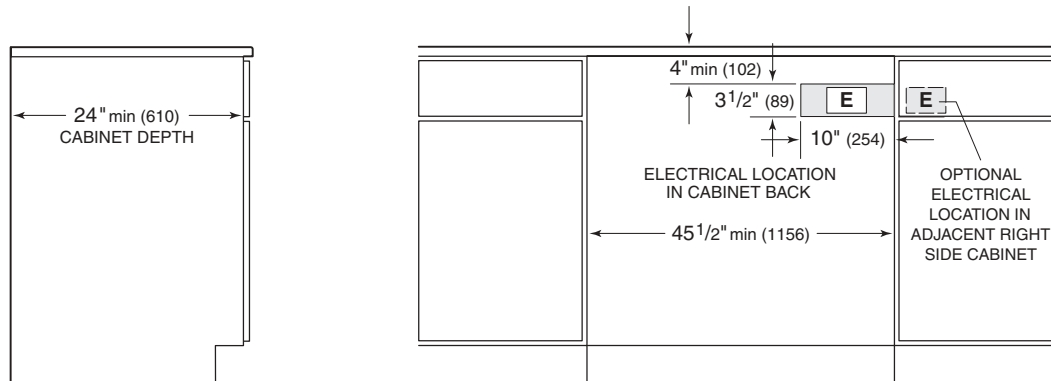
*Dimensions in parentheses are in millimeters unless otherwise specified.*

**Models DD45I and DD45R Downdraft Systems**



\*AREAS OF POTENTIAL INTERFERENCE

**LOCATION OF ELECTRICAL**



**DIMENSIONS**

Downdraft Cut-Out Width	42" (1067)
Minimum Cabinet Width	45 1/2" (1156)
Downdraft Cut-Out Depth	2 3/4" (70)
Location of Electrical	Within shaded area

See Installation Instructions shipped with unit for detailed specifications.

## Models DD45I and DD45R Downdraft Systems

### INSTALLATION NOTES

▶ Refer to the illustrations and specifications for overall dimensions and installation specifics.

▶ Wolf downdraft ventilation systems are recommended for use with Wolf electric and gas cooktops and integrated modules, excluding the grill, steamer and fryer modules. The downdraft should be at least as wide as the cooking surface.

**IMPORTANT NOTE:** Wolf downdraft ventilation systems cannot be used with Wolf dual fuel ranges, gas ranges, sealed burner rangetops and gas rangetops. A Wolf Pro ventilation hood should be used.

▶ The 45" (1143) downdraft will fit most 45" (1143) wide cabinets. Cabinet backs may need to be removed. It is recommended that oversized cabinets be used for easier installation.

▶ To incorporate a downdraft system and a Wolf cooktop, you must allow for a minimum 25<sup>1</sup>/<sub>8</sub>" (638) flat counter space from front to back. A countertop with a raised lip and/or backsplash may not allow enough space for proper installation. 2<sup>3</sup>/<sub>8</sub>" (60) of flat countertop is required behind the cooktop and 1<sup>3</sup>/<sub>4</sub>" (44) is necessary between the back edge of the cooktop and inside of cabinet back. Follow dimensions given in the Countertop Cut-out illustration on page 3.

▶ Model DD45I has a 500 CFM internal blower. Model DD45R is shipped without the blower assembly. In-line and remote blower assemblies are available. Blower options vary with the volume of air that needs to be moved and the length of the duct run. Refer to the charts at the end of this section for cooktop ventilation recommendations and blower options.

**IMPORTANT NOTE:** Install this downdraft only with a Wolf blower.

▶ Wolf downdraft ventilation systems require a separate, grounded 120 V AC, 60 Hz power supply. The service should have its own 15 amp circuit breaker and a grounded 3-prong receptacle should be located within the reach of the 2' (.6 m) power cord. The specific location of the outlet is not critical, as long as it is within reach of the power cord that is located mid-way, top and bottom on the right side of the downdraft.

▶ If the 45" (1143) downdraft is being installed in a 45" (1143) wide cabinet, the outlet cannot be located on the back wall of the cabinet. It is recommended that the outlet be placed in an adjacent cabinet within reach of the power cord. Refer to the Location of Electrical illustration on page 4.

**IMPORTANT NOTE:** A ground fault circuit interrupter (GFCI) is not recommended and may cause interruption of operation.

▶ You must follow all National Electrical Code regulations. In addition, be aware of local codes and ordinances when installing your service.

▶ This appliance must be used with a Wolf approved remote mounted control module and top cover, which is included with the downdraft.

▶ Installation of the control module must be within 10' (3 m) of the downdraft assembly and a minimum of 4" (102) from the outer edge of cooktop element or burner. You will be required to drill three holes and connect the two units by the provided wire.

▶ Refer to the installation instructions shipped with each Wolf product for detailed specifications.

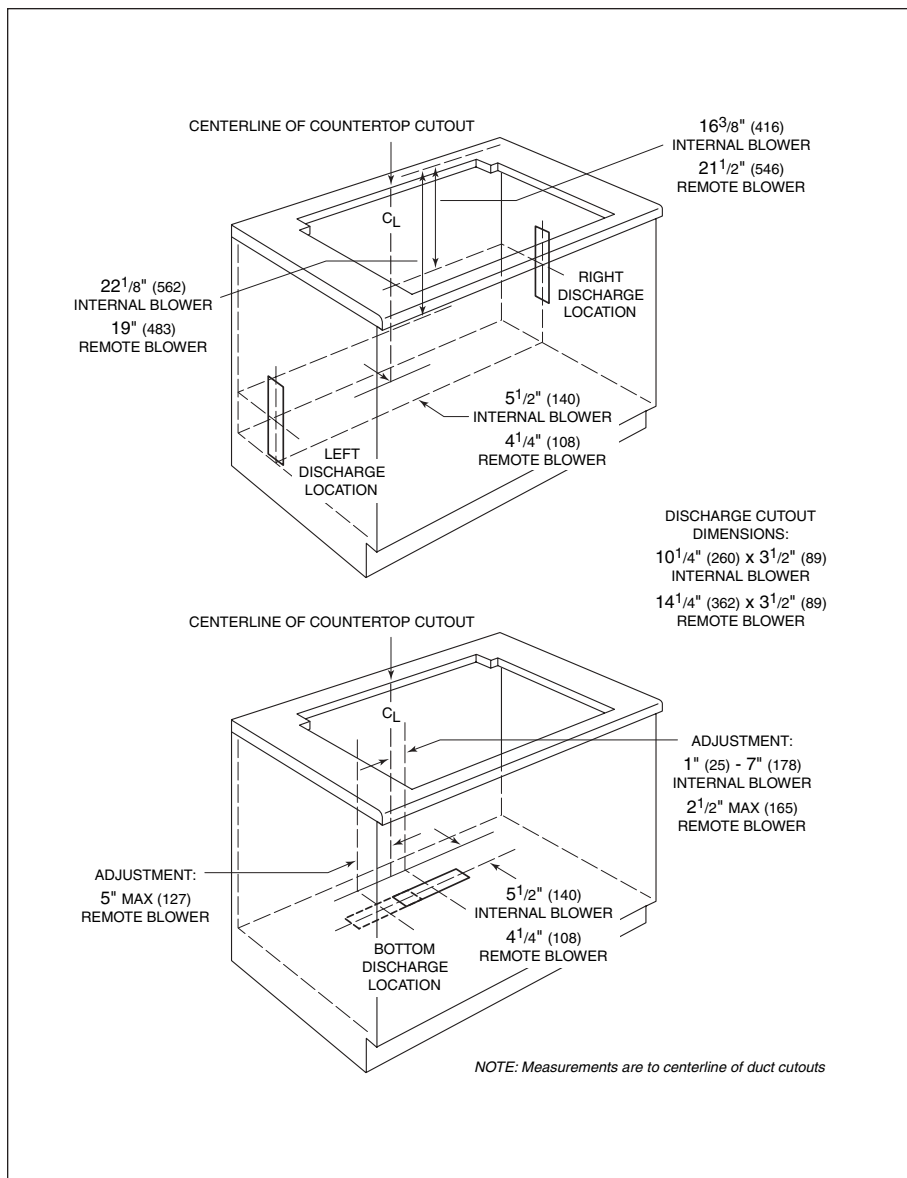
## Models DD45I and DD45R Downdraft Systems

### DUCTING CONSIDERATIONS

Except for Models DD30I, DD36I and DD45I, which include a 500 CFM internal blower, Wolf downdrafts are shipped without the blower assembly. In-line and remote blower assemblies are available through your Wolf dealer. To obtain local dealer information, visit the Locator section of our website, wolfappliance.com.

Wolf downdraft systems have an adjustable discharge that will allow you to negotiate ducting around floor joists and other obstacles. Three different discharge locations are available with side to side adjustment for accurate alignment of ductwork. Refer to the illustration below for discharge location options.

**IMPORTANT NOTE:** Install this downdraft ventilation system only with a Wolf blower.



*Discharge location options for internal and remote blower models.*

## Models DD45I and DD45R Downdraft Systems

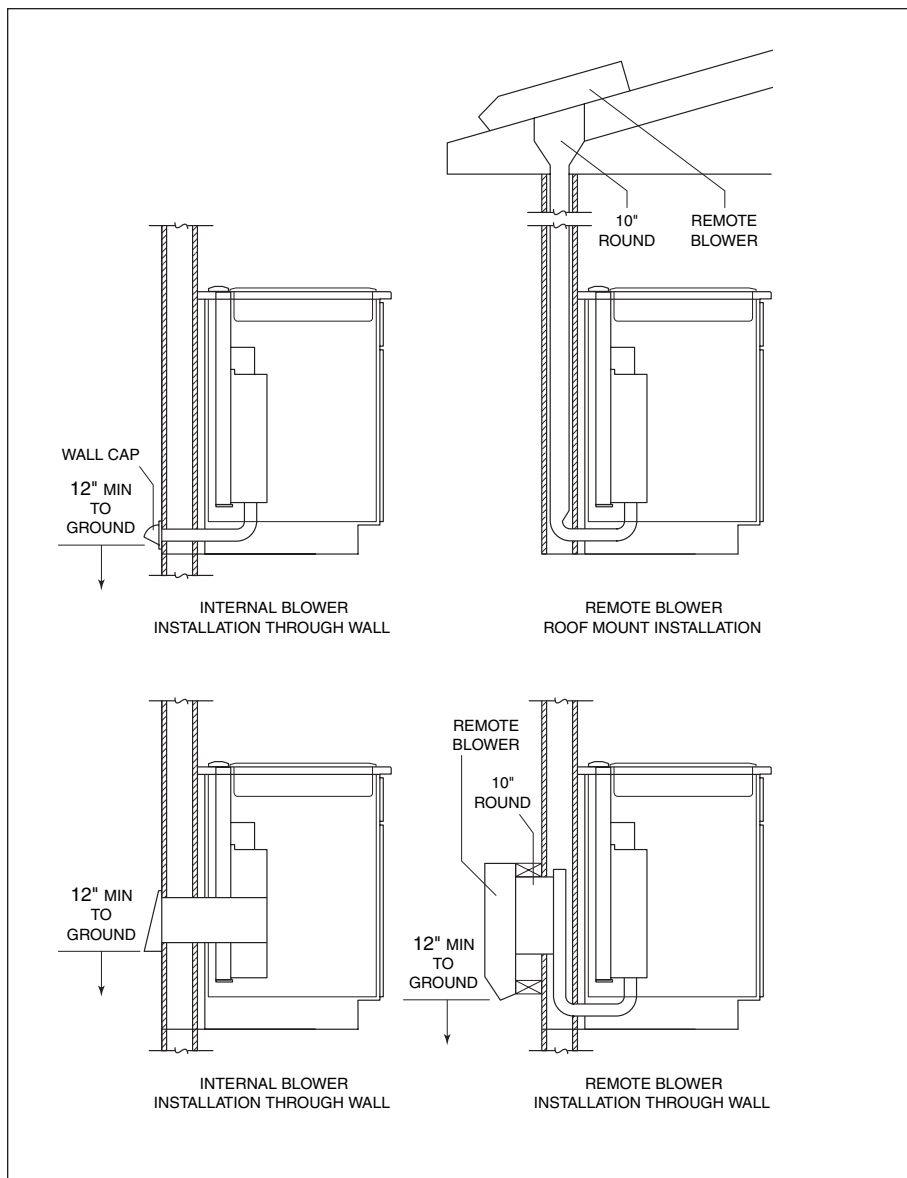
### DUCTING CONSIDERATIONS

For best performance, 10" (254) round ductwork is recommended. The downdraft will operate most efficiently when ductwork does not exceed 40' (12 m) in length. Consult a qualified HVAC engineer for specific ducting applications.

**IMPORTANT NOTE:** All Wolf downdrafts must be vented to the outside. Use only metal ductwork.

Choose the ducting option that allows the shortest length of ductwork and a minimum number of elbows and transitions. Refer to the illustration below for ducting options.

Refer to the cooktop ventilation charts at the end of this section for recommendations and blower options.



*Ducting options for downdraft Models DD45I and DD45R.*

## Wolf Ventilation Recommendations

### WOLF BLOWER ASSEMBLIES

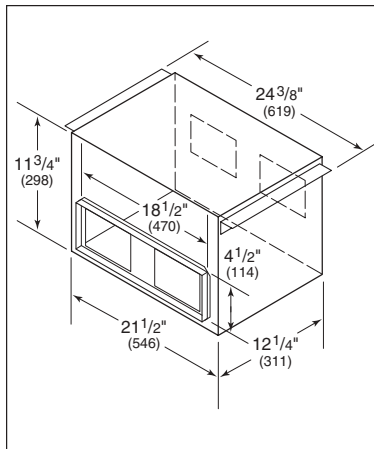
A ventilation system must include a blower assembly. With a few exceptions where internal blowers are included, Wolf ventilation hoods and downdrafts are shipped without the blower assembly. An internal, in-line or remote blower assembly must be selected to accommodate the cooking appliance, CFM requirements and homeowner preferences. Internal, in-line and remote blower assemblies are available as sales accessories through your Wolf dealer.

Wolf internal, in-line and remote blowers are for use with Wolf cooktop hoods, downdraft systems and Pro ventilation hoods and hood liners.

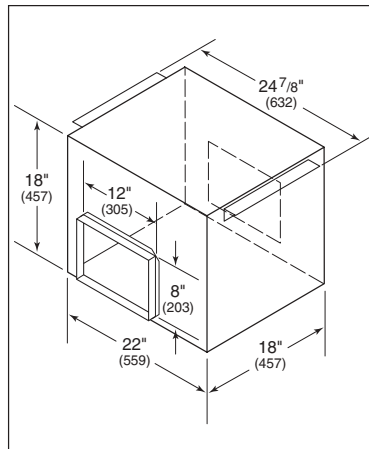
**IMPORTANT NOTE:** Use only a Wolf blower with all Wolf ventilation products.

Internal blowers are mounted inside the hood canopy or downdraft blower box. In-line blowers are mounted in between the hood and the exterior of the home. Remote blowers can be mounted on the roof or in some cases, on an exterior wall. Refer to the illustrations below for dimensions of Wolf in-line and remote blowers.

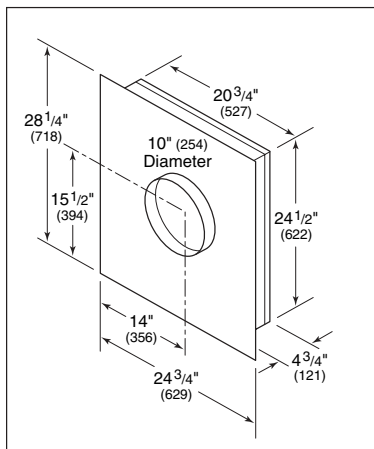
Ventilation recommendation charts on the following pages provide minimum CFM recommendations according to the cooking appliance and ventilation system used and blower options for each specific ventilation hood or downdraft.



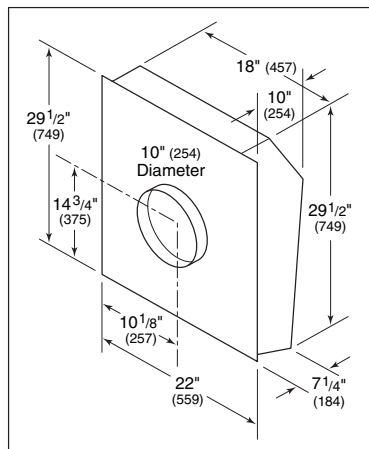
► In-line BLOWER-60IL



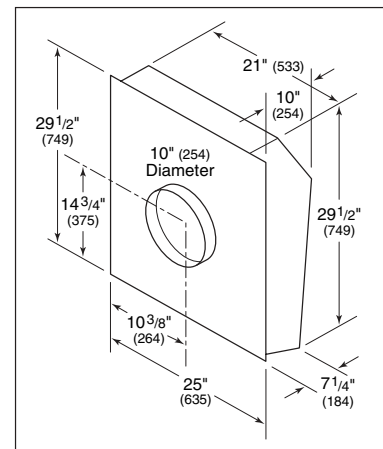
► In-line BLOWER-110IL



► Remote BLOWER-60REM and BLOWER-90REM



► Remote BLOWER-120REM



► Remote BLOWER-150REM

Dimensions may vary by  $\pm 1/8$ " (3).

Dimensions in parentheses are in millimeters unless otherwise specified.



## Wolf Cooktop Ventilation Recommendations

### COOKTOP VENTILATION CFM RECOMMENDATIONS

#### Cooktop Hoods, Downdrafts and Pro Hoods

	CTWH30	CTWH36	IH4227	DD30	DD36	DD45	Pro Hoods
<b>Electric Cooktops</b>							
Model CT15E	215*	215*	215*	215*		150*	215*
Model CT30E	450	600	600	500		350	600
Model CT30EU	450	600	600				600
Model CT36E		600	600		500		600
Model CT36EU		600	600				600

	CTWH30	CTWH36	IH4227	DD30	DD36	DD45	Pro Hoods
<b>Gas Cooktops</b>							
Model CT15G	215*	215*	215*	215*		150*	215*
Model CT30G	450	600	600	500		350	600
Model CT36G		600	600		500		600

	CTWH30	CTWH36	IH4227	DD30	DD36	DD45	Pro Hoods
<b>Modules</b>							
Model CT15I	215*	215*	215*	215*		150*	215*
Model IG15	215*	215*	215*				215*
Model IS15	215*	215*	215*				215*
Model IF15	215*	215*	215*				215*
Model IM15	215*	215*	215*	215*		150*	215*

\*Use these requirements to determine total CFM when installing multiple cooktops or modules.

CFM recommendations are based on total Btu/hr output. Wolf recommends 1 CFM per 100 Btu/hr (.03 kW). Additional CFM may be required for long duct runs.

### COOKTOP VENTILATION BLOWER OPTIONS

#### Downdraft Systems

Blower Description	Blower Number	Downdraft Models
500 CFM Internal	Included with (I) Models	DD30I / DD36I / DD45I
1100 CFM In-Line	BLOWER-110IL (808332)	DD30R / DD36R / DD45R
900 CFM Remote	BLOWER-90REM (801641)	DD30R / DD36R / DD45R
1200 CFM Remote	BLOWER-120REM (801642)	DD30R / DD36R / DD45R
1500 CFM Remote	BLOWER-150REM (804701)	DD30R / DD36R / DD45R

Adjustable discharge. 3<sup>1</sup>/<sub>4</sub>" (83) x 10" (254) duct for internal blower, no transition required. 3<sup>1</sup>/<sub>4</sub>" (83) x 14" (254) duct for in-line and remote blowers. TRANS-14-10 required for remote blowers.

Blower configurations are for reference only. Refer to minimum CFM recommendations for your specific cooking product. Always consult a qualified HVAC Engineer for specific applications.