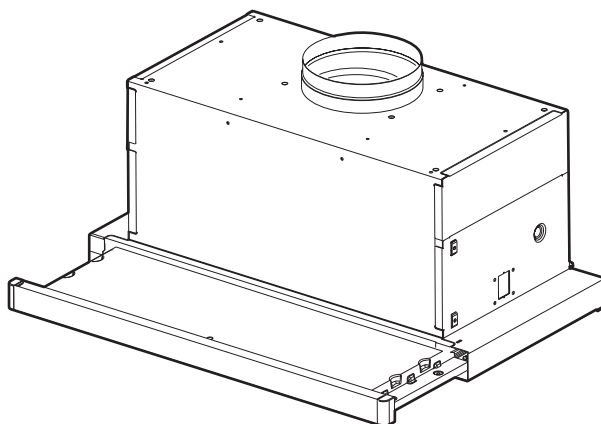


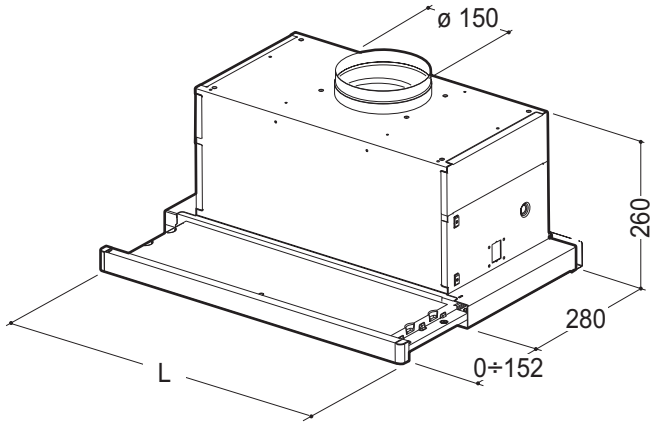
IN600S/IN900S

Instruction Manual



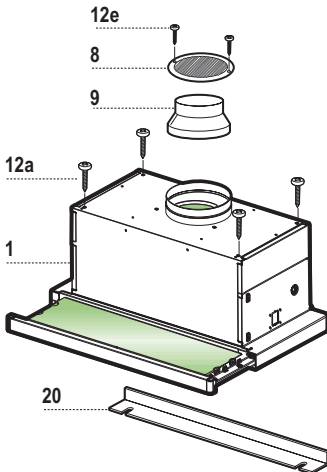
CHARACTERISTICS

Dimensions



Hood Type	IN600S	IN900S
L	598	898

Components



Ref.	Q.ty	Product Components
1	1	Hood Body, complete with: Controls, Light, Blower, Filters
8	1	Directional Air Outlet grille
9	1	Reducer Flange \varnothing 150-120 mm
20	1	Closing element

Ref.	Q.ty	Installation Components
12a	4	Screws 4,2 x 44,4
12e	2	Screws 2,9 x 9,5

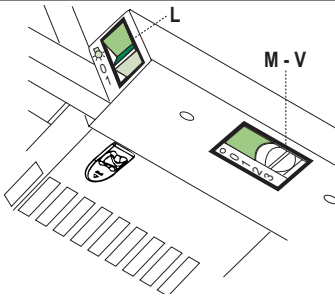
Q.ty	Documentation
1	Instruction Manual

ELECTRICAL CONNECTION

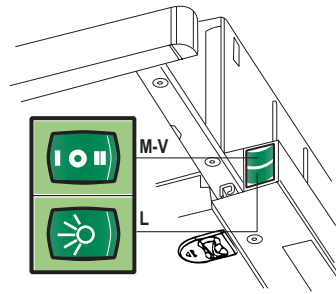
- Connect the hood to the mains through a two-pole switch having a contact gap of at least 3 mm.
- When opening the sliding carriage for the first time after installing the hood, pull it out briskly until it clicks.

USE

Control panel



L Light	Switches the lighting system on and off
M Motor	Switches the extractor motor on and off
V Speed	Sets the operating speed of the extractor: <ol style="list-style-type: none">1. Low speed, used for a continuous and silent air change in the presence of light cooking vapour.2. Medium speed, suitable for most operating conditions given the optimum treated air flow/noise level ratio.3. Maximum speed, used for eliminating the highest cooking vapour emission, including long periods



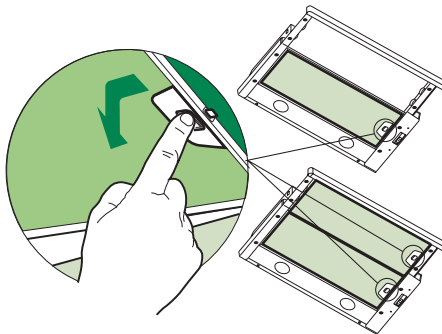
L Light	Switches the lighting system on and off
M Motor	Switches the extractor motor on and off
V Speed	Sets the operating speed of the extractor: <ol style="list-style-type: none">I. Low speed, used for a continuous and silent air change in the presence of light cooking vapour.II. Maximum speed, used for eliminating the highest cooking vapour emission, including long periods

Grease filters

CLEANING METAL SELF-SUPPORTING GREASE FILTERS

The filters must be cleaned every 2 months of operation, or more frequently with heavy usage, and can be washed in a dishwasher.

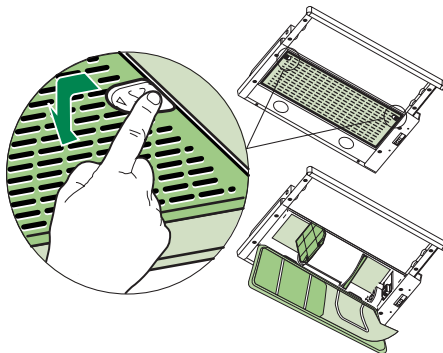
- Remove the filters one at a time, after disconnecting the relative fastening elements.
- Wash the filters, taking care not to bend them. Allow them to dry before refitting.
- When refitting the filters, make sure that the handle is visible on the outside.



CLEANING MULTILAYER METAL GREASE FILTERS

The filters must be cleaned every 2 months of operation, or more frequently with heavy usage, and can be washed in a dishwasher.

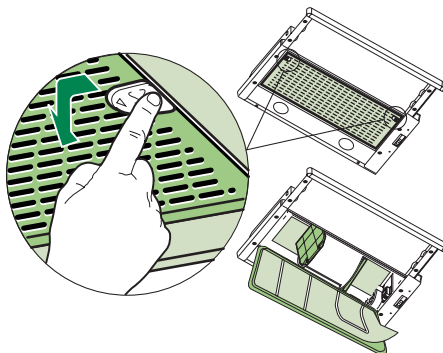
- Release the filter retaining grill using the lateral sliding handles.
- Remove the filter retaining clips.
- Remove and wash the filters. Allow them to dry before refitting.
- Replace the filters on the grill, fix them in position using the filter retaining clips and close the filter retaining grill.



REPLACING SYNTHETIC GREASE FILTER

The filter is not washable and cannot be regenerated, and must be replaced every 2 months of use, or more frequently with heavy usage.

- Release the filter holder frame using the lateral sliding handles.
- Remove the filter retaining clips.
- Replace the saturated synthetic filter.
- Fix the new synthetic filter using the retaining clips and close the filter holder frame.

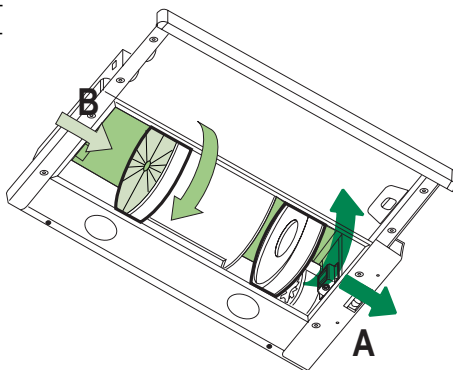


Odour filters (Recirculation version)

REPLACING ACTIVATED CHARCOAL FILTERS

These filters are not washable and cannot be regenerated, and must be replaced every 4 months of operation, or more frequently with heavy usage.

- Remove the grease filters.
- Remove the saturated activated charcoal filters as shown **(A)**.
- Fit new filters **(B)**.
- Replace the grease filters.





This appliance conforms to European Low Voltage Directive 73/23/CEE governing electrical safety, European Directive 89/336/CEE on Electromagnetic Compatibility and Directive 93/68/CEE regarding CE Marking.



Star Service Hotline 24069138

www.whirlpool.com.hk