



Service Manual

Cooker hood AKR 633 WH

Model Version		Page
	AKR 633 WH	
	8578 633 10100	
	Technical data	2
	Spare part list	3
	Exploded view	4
	Wiring diagram	5
	Circuit diagram	6

Technical data

Electricity

Voltage	220/240	V
Frequency	50	Hz

Power

Total	190	W
Fan motor	110	W
Illumination	2x40	W

Nominal air flow

Speed 1

External exhaustion	167	m ³ /h
Recirculation	117	m ³ /h

Speed 2

External exhaustion	237	m ³ /h
Recirculation	175	m ³ /h

Speed 3

External exhaustion	288	m ³ /h
Recirculation	196	m ³ /h

Intensive speed

External exhaustion	364	m ³ /h
Recirculation	225	m ³ /h

Noise level

Speed 1

External exhaustion	46	dB (A)
Recirculation	52	dB (A)

Speed 2

External exhaustion	56	dB (A)
Recirculation	63	dB (A)

Speed 3

External exhaustion	62	dB (A)
Recirculation	67	dB (A)

Intensive speed

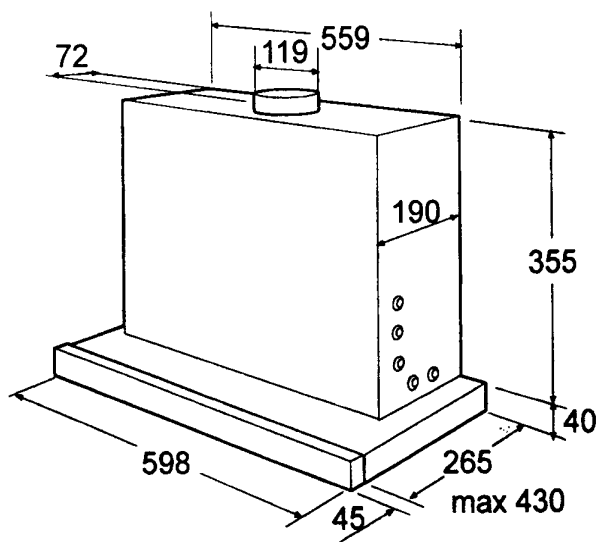
External exhaustion	66	dB (A)
Recirculation	70	dB (A)

Distance from cooking area

Electric	430	mm
Gas	650	mm

Air exhaust

Flange	120	mm
--------	-----	----



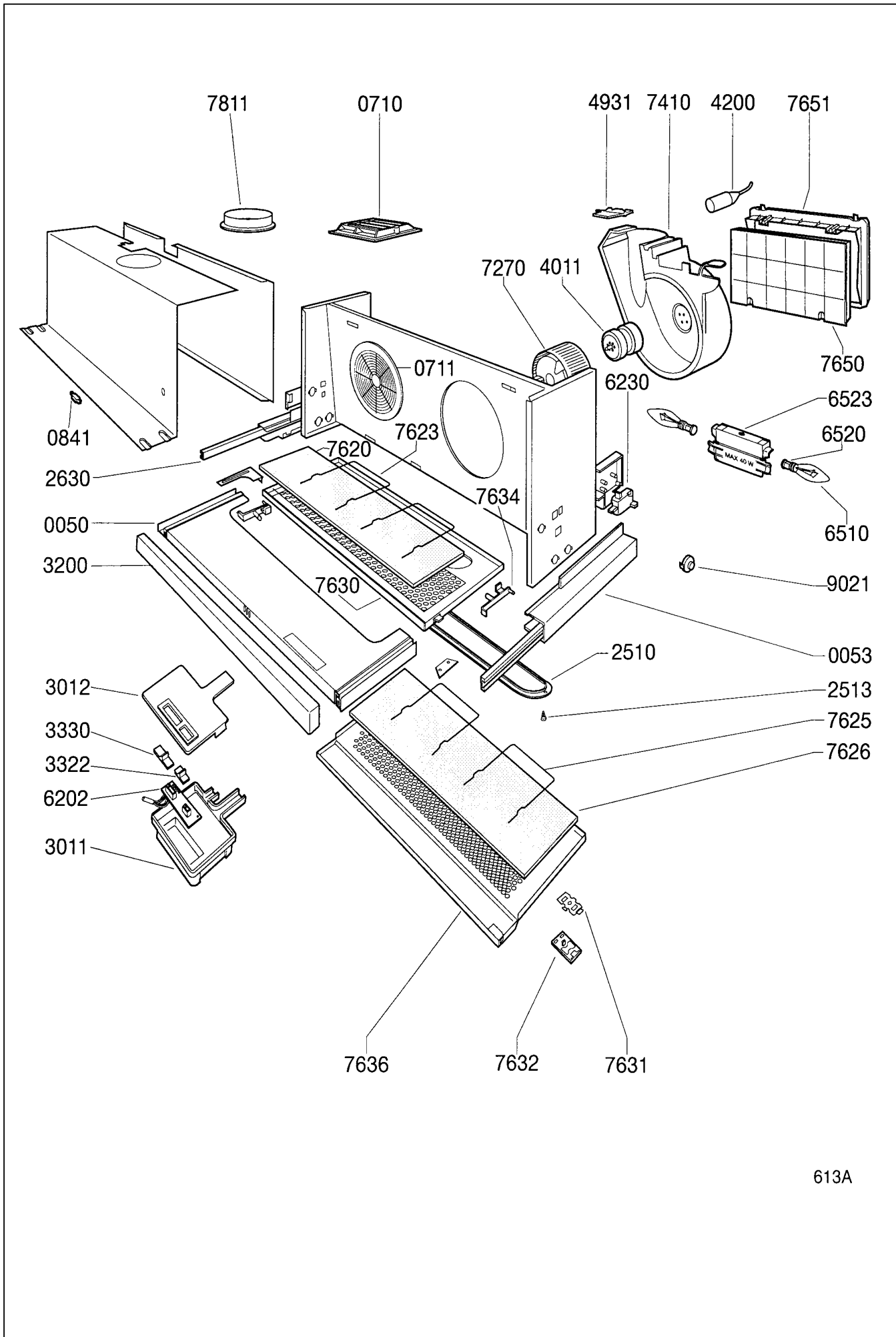
DII1002

Spare part list

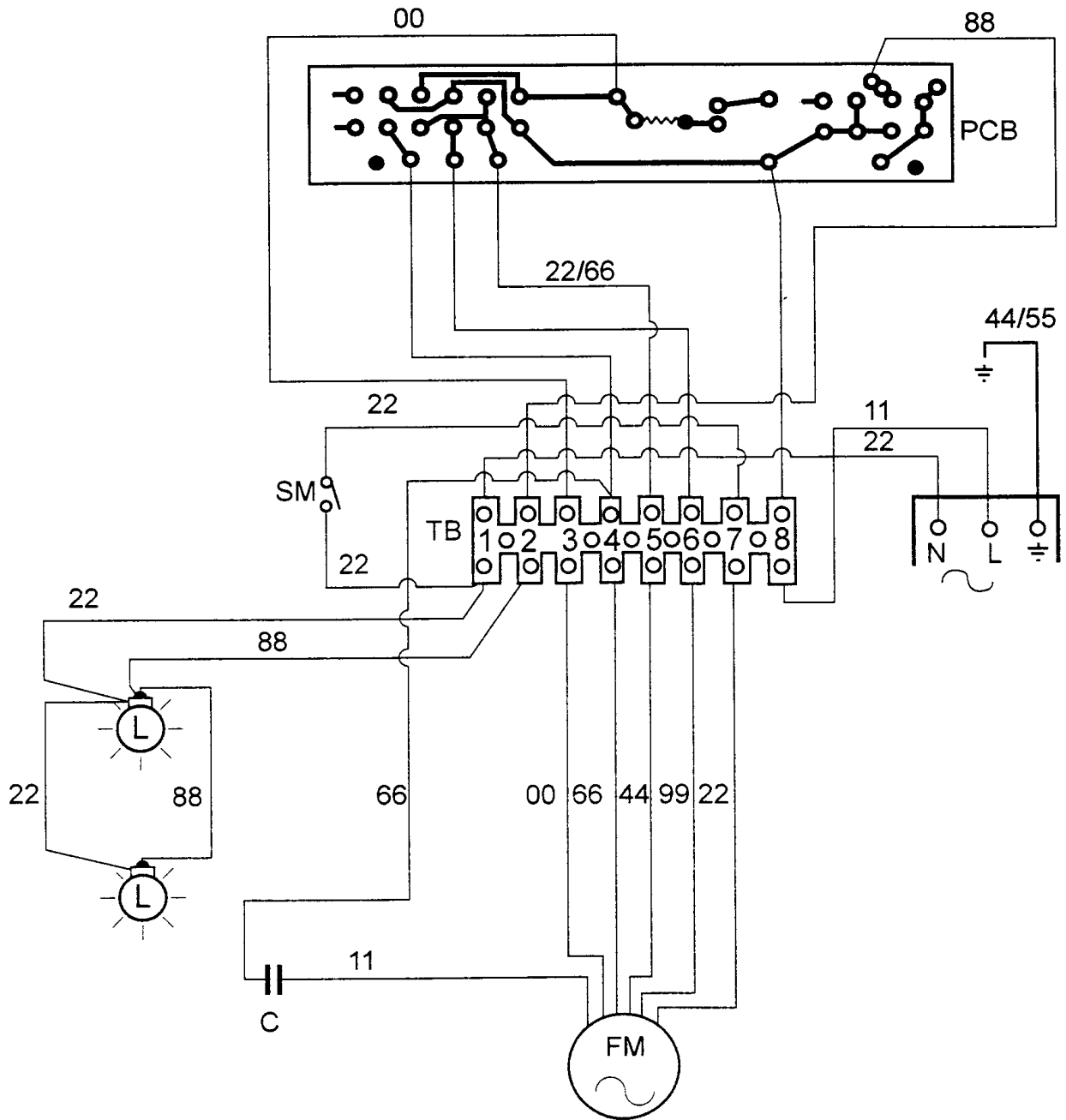
Model AKR 633 WH
Service No. 857863310100
Version 857863310100

Pos. No.	12NC Code	Description
005 0	4819 466 89375	Sliding base
005 3	4819 404 79516	Holder
071 0	4819 442 68527	Air conveyor
071 1	4819 526 48458	Grid,air
084 1	4819 529 18052	Resonator
251 0	4819 462 79964	Cover,lamp
251 3	4819 492 68622	Clip,fix
263 0	4812 462 38105	Rail from 00/23
263 0	4819 442 39434	Rail to 00/22
301 1	4819 462 88061	Elect.parts box switches
301 2	4819 452 99373	Control panel
320 0	4819 452 99809	Front,panel
332 2	4819 410 28223	Knob,slide light
333 0	4819 276 18409	Knob,slide motor
401 1	4819 361 18404	Motor
420 0	4819 121 18152	Capacitor
493 1	4819 462 79973	Cover terminal block
620 2	4819 290 68272	Unit,pushbutton
623 0	4819 271 38276	Microswitch cpl.
651 0	4819 134 88088	Lamp
652 0	4819 255 18204	Holder,lamp
652 3	4819 404 79313	Support
727 0	4819 515 28261	Fan wheel
741 0	4819 442 78297	Conveyor
762 0	4819 480 48178	Filter,grease fixed aluminium
762 3	4819 404 78287	Holder f.grease filter
762 5	4819 492 68594	Holder f.grease filter
762 6	4819 480 48177	Filter,grease movable aluminium
763 0	4819 458 68243	Grid fixed
763 1	4819 404 49894	Blocking , grid
763 2	4819 401 18447	Air regulator ,grid
763 4	4819 417 19631	Support grid le.+ri.
763 6	4819 458 68242	Grid movable
765 0	4819 480 48324	Carbon filter
765 1	4819 404 79216	Support
781 1	4819 462 79975	Flange
902 1	4819 466 98672	Spacer

Exploded view



Wiring diagram



Legend

- C Capacitor
- FM Fan Motor
- L Lamp
- SM Switch Main
- PCB Print Circuit Board
- TB Terminal Block

- 00 Black
- 11 Brown
- 22 Red
- 44 Yellow
- 55 Green
- 66 Blue
- 88 Grey
- 99 White

Circuit diagram

