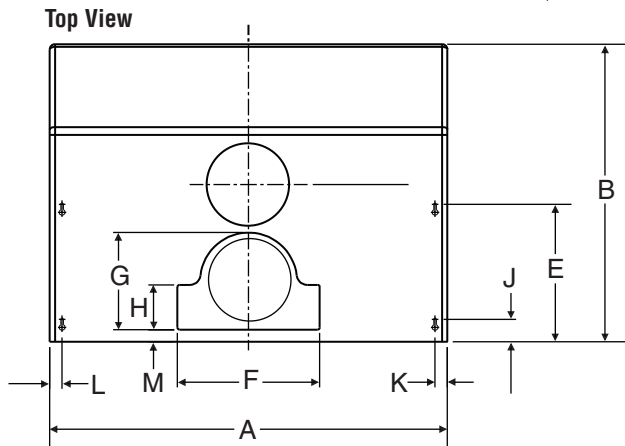
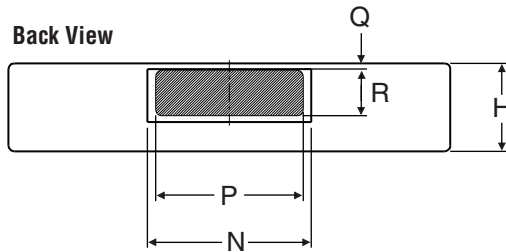
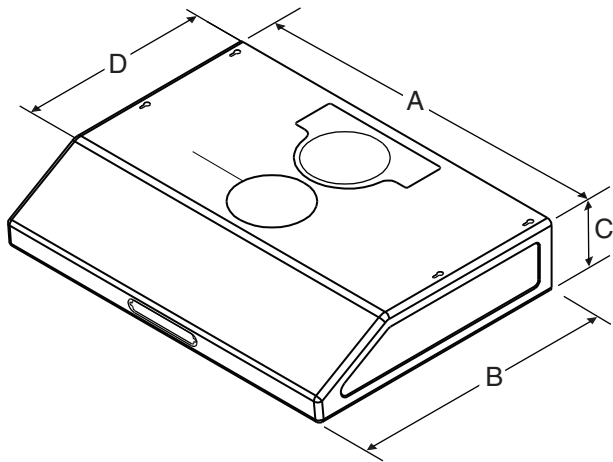


UNDER CABINET HOOD



Style of product may vary from picture

PRODUCT DIMENSIONS

	INCHES	CENTIMETERS
A	30	76.2
B	22 1/4	56.5
C	6	15.2
D	15 5/8	39.7
E	10 1/4	26.0
F	10 1/2	26.7
G	7 1/4	18.4
H	3 3/8	8.6
J	1 3/4	4.4
K	1	2.5
L	1	2.5
M	7/8	2.2
N	11	27.9
P	10	25.4
Q	1/2	1.3
R	3	7.6

MODEL SKUs

UXT5230ADB
 UXT5230ADQ
 UXT5230ADS
 UXT5230ADW

NOTES:

Minimum mount height between range top to hood bottom should be no less than 24". Maximum mount height should be no higher than 32". It is important to install the hood at the proper mounting height. Hoods mounted too low could result in heat damage and fire hazard; while hoods mounted too high will be hard to reach and will lose performance and efficiency.

Use replacement carbon filter HCFLTUXT36