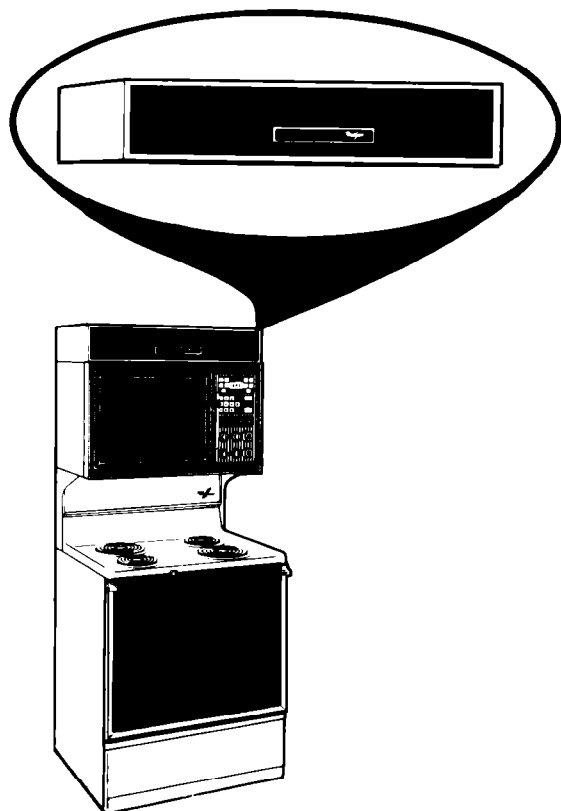


# Installation Instructions



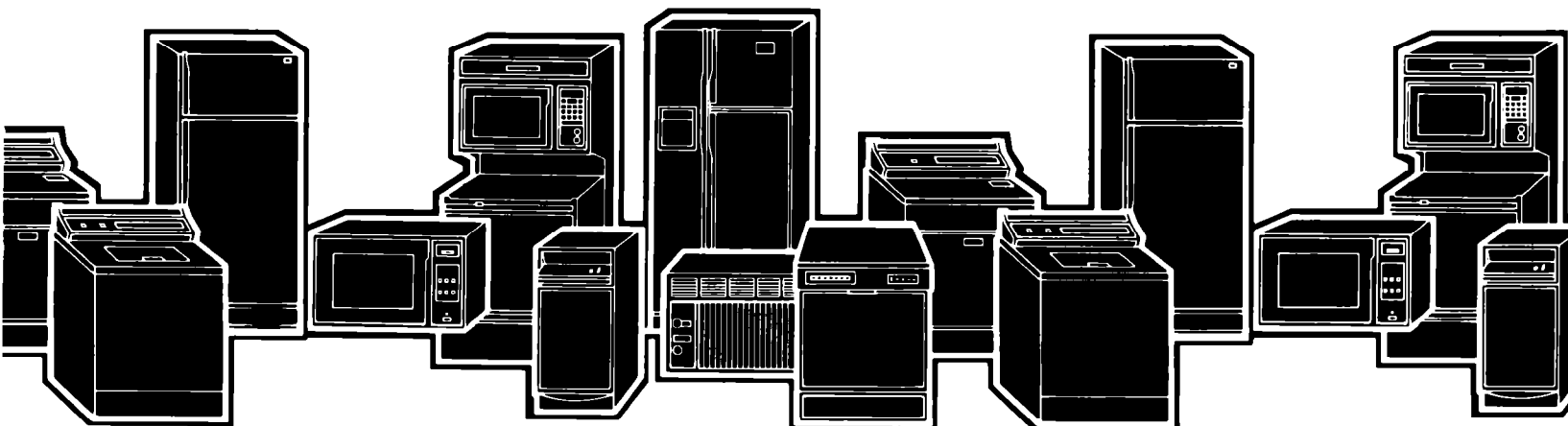
## Convertible Oven Vent Hood

**IMPORTANT: FOR VENTLESS  
INSTALLATION USE DUCTLESS  
KIT RCH-6600 (830853)**

## Model RH6330XL Series

**READ AND SAVE THESE INSTRUCTIONS**

ave Ovens, Compactors, Room Air Conditioners, Dehumidifiers, Automatic Washers, Clothes Dryers, Freezers, Refrigerator-Freezers, Ice Makers, Dishwashers



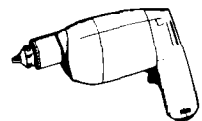
This hood is designed to be compatible with Whirlpool Eyelevel Ranges RHM, RM, RE, REE, RFE and RGE, the power source for the hood is supplied directly from the range. See Section C.

## Before starting . . .

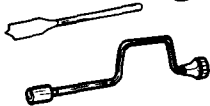
**BE SURE THAT YOU OBSERVE ALL LOCAL CODES AND ORDINANCES FOR ELECTRICAL CONNECTIONS AND THAT THE RANGE HOOD IS INSTALLED BY A QUALIFIED PERSON.**

To install the range hood read the following instructions completely and carefully. There are important steps outlined that will simplify the installation job when followed carefully. In addition, they will help you decide what materials you need for your installation.

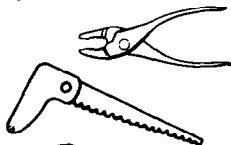
## You'll need these tools:



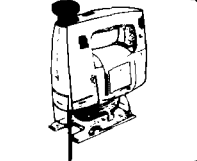
- Drill, electric or ratchet drive, with 1¼" wood bit (to drill an access hole in the cabinet or kitchen wall for the electrical power line.)



- One common head screwdriver (to secure hood mounting screws to the cabinet and hood sheet metal parts).



- Pliers (for opening knock-outs)



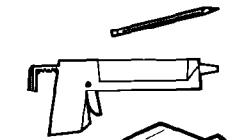
- Pencil, ruler and level for marking cabinet locations.



- Saber saw or keyhole saw for cutting the wall or cabinet openings.



- Caulking, metal snips, duct tape, ducts (with elbow and transition, if necessary) and wall cap or roof cap, as required.



## A. Selecting the proper venting system

This oven hood can be vented either vertically through the roof, horizontally out the wall, or ductless. Select the most practical method for your particular installation.

Figure 1 shows the standard through the roof venting. Figure 2 illustrates horizontal venting. Make wiring wall cutouts and venting cutouts according to dimensions given in Figure 3.

For ductless installation see Section D.

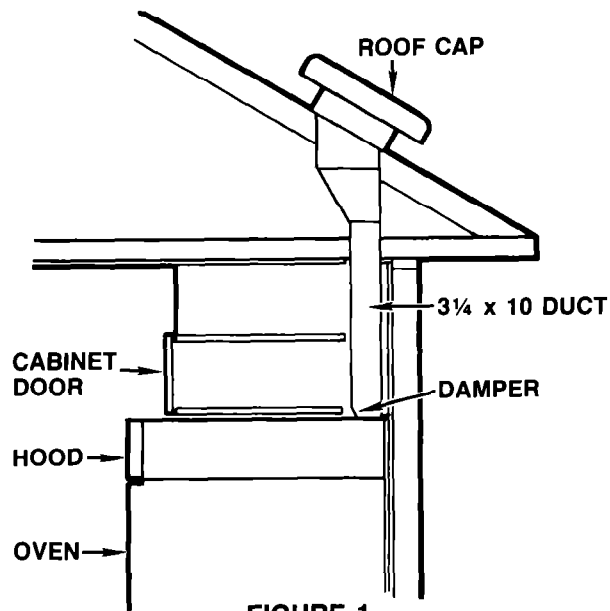


FIGURE 1

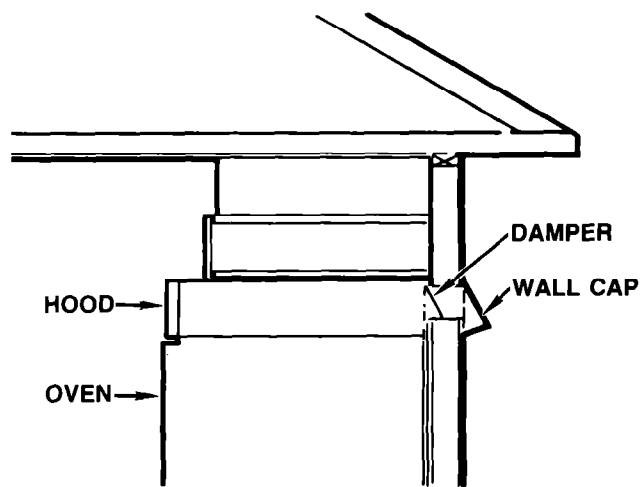


FIGURE 2

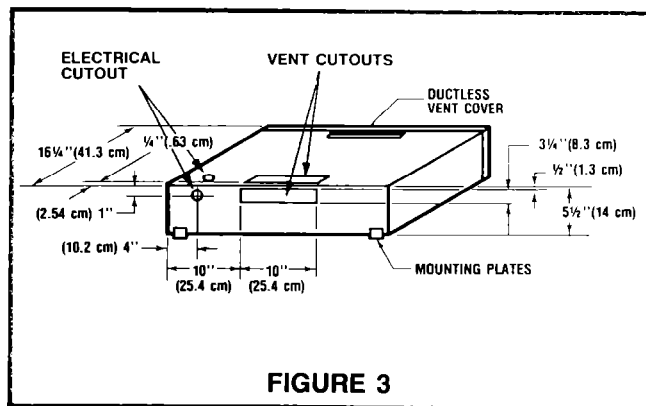


FIGURE 3

## B. Locating vent cutouts

1. Open flip front of hood and remove aluminum filter.  
**Note:** Remove packing screw on top of hood before trying to remove filter.
2. Location for vent opening can be found by measuring locations given in Figure 3 or by removing appropriate venting knockout and simply holding hood shell into position and marking the appropriate location for vent opening.

**NOTE:** Locations can be made easier by removing the fan power pack. Simply unplug the power cord near the front (See Section C, Step 2) and loosen 4 wing nuts. Assembly can be removed through the front.

3. Connect hood to electrical supply as outlined in Section C.  
Be sure that damper which is supplied with this model is properly installed.
4. Attach damper to hood to give required venting. If damper is attached to the back of hood, be sure damper hinge is toward the top. See Figure 1 and 2.
5. Complete duct connections so they are air tight.
6. Re-assemble fan power pack.

## C. Connect hood to electrical supply

Make electrical connections in accordance with the National Electrical Code and applicable local ordinances. **Hood must be permanently grounded.**

**WARNING: BEFORE MAKING ELECTRICAL CONNECTIONS, DISCONNECT POWER AT FUSE BOX OR CIRCUIT BREAKER.**

1. With a screwdriver and a pair of pliers, remove knockout from underside of unit. See Figure 4.
2. Disconnect attachment plug between switch box & rear wiring box. See Figure 5. Press two ears on male plug to disconnect.
3. Pull power supply cord through hole in the bottom of oven hood until slack is removed.
4. Set hood on top of range.
5. Lift front edge enough to connect hood power supply cord to receptacle in top of range. Figure 4.
6. Loosen screws holding two mounting plates on back of hood, see Fig. 3. Rotate plates until extra holes in plates line up with holes in range back. Remove screws in range back and secure hood through plates using these same two screws.
7. Tighten screws holding plates to hood and range.

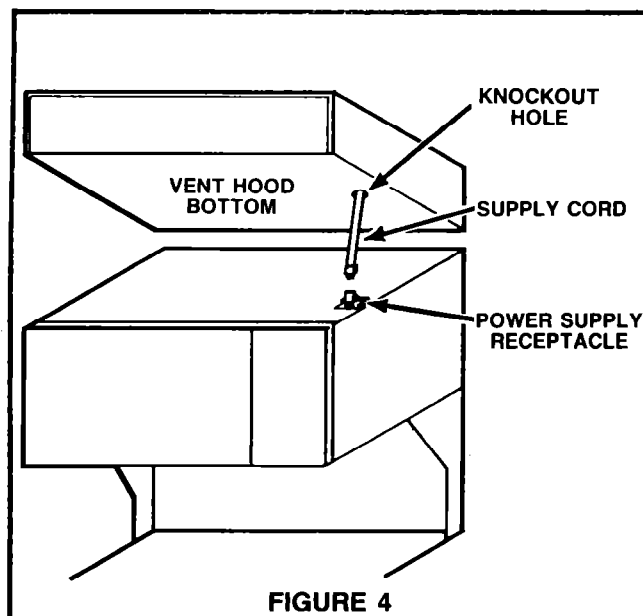


FIGURE 4

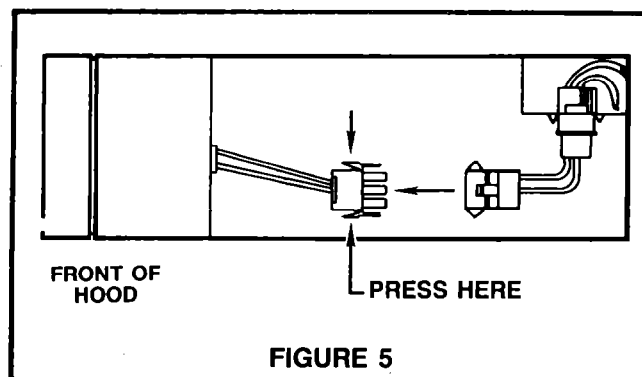


FIGURE 5

## D. Install hood in ductless application

1. Remove ductless vent cover shown in Figure 3.
2. Set hood on top of eyelevel range.
3. Connect hood to electrical supply as outlined in Section C.
4. Add charcoal filter from ductless kit, RCH6600 (830853) and replace aluminum filter.

## E. Operation and care of unit

### Care of filters

**A. ALUMINUM FILTER:** For greatest efficiency, the permanent type aluminum filter should be removed and cleaned periodically.

To clean, the filter should be soaked in hot water and detergent.

**B. CHARCOAL FILTER: (FOR DUCTLESS UNITS ONLY)** This filter should be inspected periodically and when it becomes saturated, it should be replaced. There are no effective means of reactivating charcoal filters.

### Care of fan motor

Fan motor has life-time sealed bearings that never need oiling. Occasional cleaning of motor may be required. Do not immerse in water.

### Care of exterior surfaces

Your kitchen hood is a beautifully finished addition to your kitchen and requires only the care you give your

range to preserve its lasting beauty. Clean with a mild detergent to preserve finish. DO NOT use abrasive cleaners.

For effective removal of smoke & odors, turn on fan at beginning of cooking operation & allow to run until smoke & odors are removed from room.

## F. Important safeguard for electrical appliances

When using electrical appliances, basic safety precautions should always be followed including the following:

1. Read and follow all instructions.
2. Close supervision is necessary when any appliance is used by or near children.
3. To avoid providing fuel for a grease pan fire, clean lint and grease from all hood surfaces - interior and exterior. Be sure to remove and clean air filter every three months.
4. Do not saturate electrical connections, switches, and motor in water during cleaning, remember, **WATER AND ELECTRICITY DO NOT MIX!**
5. If any electrical malfunction becomes evident during use, disconnect power to hood at your home fuse or breaker box.

**WARNING: FIREPLACES, GAS FURNACES, WATER HEATERS, ETC. REQUIRE PROPER FLOW OF COMBUSTION AIR AND FLUE GASES. MAKE SURE THIS FLOW IS NOT ALTERED WHEN USING ANY EXHAUST FAN.**

# G. If you need service or assistance, we suggest you follow these four steps:

## 1. Before calling for assistance...

Performance problems often result from little things you can find and fix yourself without tools.

### If nothing operates;

- Have you checked the main fuse or circuit breaker box.

## 2. If you need assistance...

Call Whirlpool COOL-LINE® service assistance telephone number. Dial free, (800) 253-1301 and talk with one of our trained Consultants. The Consultant can instruct you in how to obtain satisfactory operation from your appliance or, if service is necessary, recommend a qualified service company in your area.



## 3. If you need service...



Whirlpool has a nation-wide network of franchised TECH-CARE® Service Companies. TECH-CARE service technicians are trained to fulfill the product warranty and provide after-

warranty service anywhere in the United States. To locate TECH-CARE service in your area, call our COOL-LINE service assistance telephone number (see Step 2) or look in your telephone directory Yellow Pages under:

APPLIANCES—HOUSEHOLD  
MAJOR—SERVICE & REPAIR  
WHIRLPOOL APPLIANCES  
FRANCHISED TECH-CARE SERVICE  
SERVICE COMPANIES  
XYZ SERVICE CO.  
123 Maple ..... 999-9999

OR

ELECTRICAL APPLIANCES—  
MAJOR—REPAIRING & PARTS  
WHIRLPOOL APPLIANCES  
FRANCHISED TECH-CARE SERVICE  
SERVICE COMPANIES  
XYZ SERVICE CO.  
123 MAPLE ..... 999-9999

OR

WASHING MACHINES, DRYERS  
& IRONERS—SERVICING

WHIRLPOOL APPLIANCES  
FRANCHISED TECH-CARE SERVICE  
SERVICING COMPANIES  
XYZ SERVICE CO.  
123 MAPLE ..... 999-9999

## 4. If you have a problem...

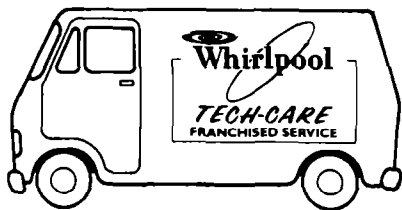
Call our COOL-LINE service assistance telephone number (see Step 2) and talk with one of our Consultants, or if you prefer, write to:

Mr. Robert Stanley, Division Vice President  
Whirlpool Corporation  
2000 M-63  
Benton Harbor, MI 49022

If you must call or write, please provide model number, serial number, date of purchase, and a complete description of the problem. This information is needed in order to better respond to your request for assistance.



Making your world a little easier.



In the event your WHIRLPOOL appliance should need service, call the dealer from whom you purchased the appliance or a WHIRLPOOL franchised TECH-CARE® service company. He is in the Yellow Pages of your telephone directory listed under "Appliances-Household-Major-Service and Repair." You can also obtain his name and number by dialing, free, the Whirlpool COOL-LINE® Service (800) 253-1301. Dial just as you normally dial long distance. A special operator will tell you the name and number of your nearest Whirlpool TECH-CARE service outlet. During normal working hours, Whirlpool consultants at this same number will also answer any questions about operating or maintaining your appliance not covered in your Use and Care Guide.

Learn the benefits of using TECH-CARE service for maintaining the quality originally built into your Whirlpool appliances.

Part No. A626-118/830876 Rev. C

Printed in U.S.A.

ifiers Automatic Washers, Clothes Dryers, Freezers, Refrigerator-Freezers, Ice Makers, Dishwashers, Built-In Ovens and Surface Units, Ranges, Microw

