



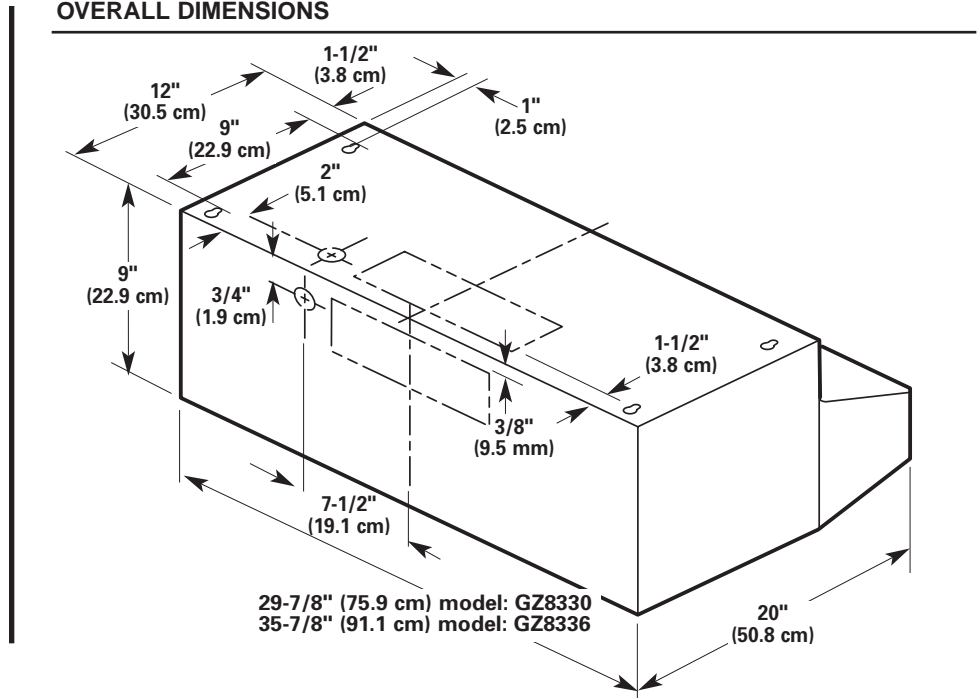
Convertible Range Hood

PRODUCT MODEL NUMBERS

GZ8330XL
GZ8336XL

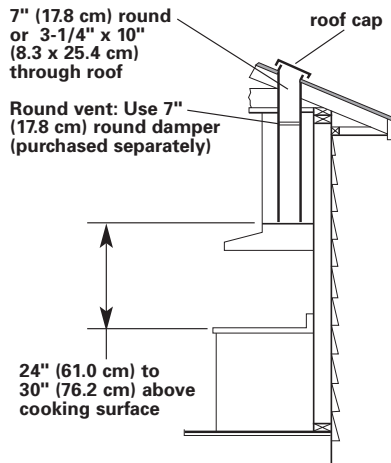
Electrical: 120-volt, 60-Hz, AC-only, 15-amp. electrical supply. Use copper wire only. A time-delay fuse or circuit breaker and separate circuit is recommended.

OVERALL DIMENSIONS

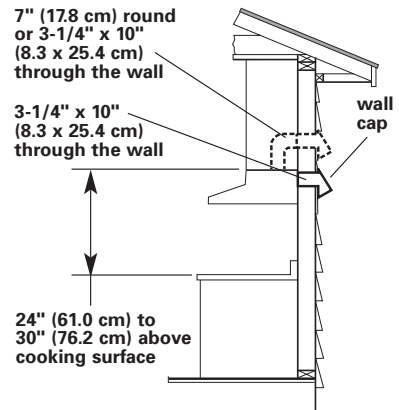


VENTING REQUIREMENTS

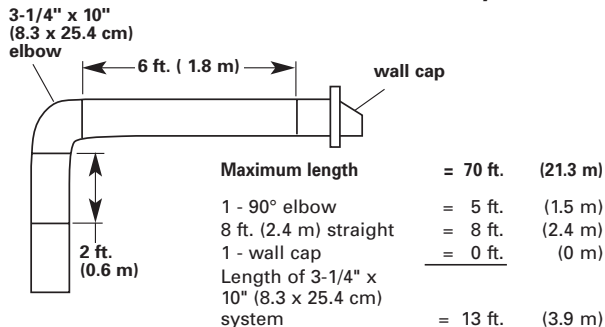
Vertical roof venting



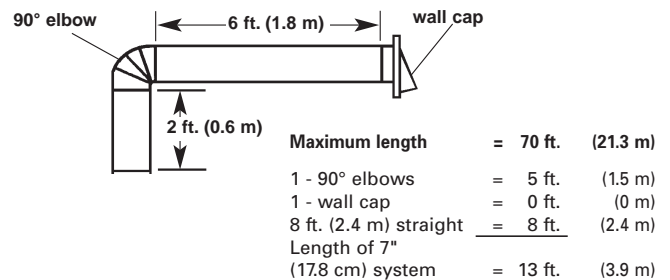
Horizontal wall venting



3-1/4" x 10" (8.3 x 25.4 cm) vent system



7" (17.8 cm) vent system



Recommended standard fittings

3-1/4" x 10" (8.3 x 25.4 cm) 90° elbow = 5 ft. (1.5 m)	3-1/4" x 10" (8.3 x 25.4 cm) flat elbow = 12 ft. (3.7 m)	3-1/4" x 10" (8.3 x 25.4 cm) wall cap = 0 ft. (0 m)

Recommended standard fittings

90° elbow = 5 ft. (1.5 m)	45° elbow = 2.5 ft. (0.8 m)	7" (17.8 cm) wall cap = 0 ft. (0 m)	3-1/4" x 10" (8.3 x 25.4 cm) wall cap to 7" (17.8 cm) = 4.5 ft. (1.4 m)	3-1/4" x 10" (8.3 x 25.4 cm) to 7" (17.8 cm) 90° elbow = 5 ft. (1.5 m)