



Standard Features & Accessories

All models include

- Must purchase and install an interior- or exterior-power ventilator (motor) kit (see **Installation Requirements** table for recommendations)
- For use with custom hoods
 - The look and performance of Viking ventilation in a blank canvas for virtually endless overlay options
 - Easily installs into almost any custom hood application
- Powerful enough to handle even the most pungent cooking odors
- Heat sensor on hood turns ventilator on full power when cooking temperatures reach uncomfortable levels
- Variable speed controls for custom venting—separate on/off switch allows you to leave ventilator at favorite/most-used setting
- Quiet fans also keep temperatures down
- Heavy-duty construction
 - Virtually seamless stainless steel design with no visible screws
- Easy cleanup
 - Design of low-profile filter system means less interior hood space to be cleaned
 - Stainless steel liner for increased rigidity, seamless appearance, and easy cleaning
- 50-watt halogen lights with dimmer control (bulbs included)

- Power switch and dimmer control are separate, allowing you to leave dimmer at favorite position
- See **Dimensions & Specifications** table for number of lights per model

Professional models include

- Professional-type size, design, and styling
- Heat lamps standard on wall ventilator systems (bulbs not included)
- Commercial-type baffle filter system efficiently removes grease and heated vapors from the air; especially designed for use with commercial-type products
 - See **Dimensions & Specifications** table for number of filters per model
- Removable trough catches liquefied grease, making cleanup quick and easy

Designer models include

- Elegant design and styling
- 12-hour timer built into ventilator controls
- Delay feature allows you to set the ventilator to shut off on its own from 10 – 30 minutes later
- Dishwasher-safe, stainless steel mesh filters efficiently remove grease and heated vapors from the air, and are easily removed for quick cleaning
 - See **Dimensions & Specifications** table for number of filters per model

Model numbers

PROFESSIONAL CUSTOM WALL

VENTILATOR SYSTEMS (for use with custom wall hoods)

- VBCV3038—30"W./18"H./22"D.
- VBCV3638—36"W./18"H./22"D.
- VBCV4238—42"W./18"H./22"D.
- VBCV4838—48"W./18"H./22"D.
- VBCV5438—54"W./18"H./22"D.
- VBCV6038—60"W./18"H./22"D.
- VBCV6638—66"W./18"H./22"D.

PROFESSIONAL CUSTOM ISLAND

VENTILATOR SYSTEMS (for use with custom island hoods)

- VICV3698—36"W./18"H./29"D.
- VICV4298—42"W./18"H./29"D.
- VICV5498—54"W./18"H./29"D.
- VICV6698—66"W./18"H./29"D.

DESIGNER CUSTOM WALL VENTILATOR

SYSTEMS (for use with custom wall hoods)

- DBCV3082—30"W./12"H./18"D.
- DBCV3682—36"W./12"H./18"D.
- DBCV4282—42"W./12"H./18"D.
- DBCV4882—48"W./12"H./18"D.

DESIGNER CUSTOM ISLAND VENTILATOR

SYSTEMS (for use with custom island hoods)

- DICV3632—36"W./12"H./23"D.
- DICV4232—42"W./12"H./23"D.
- DICV5432—54"W./12"H./23"D.

Model Options



VBCV Professional Custom Wall Ventilator System



VICV Professional Custom Island Ventilator System



DBCV Designer Custom Wall Ventilator System



DICV Designer Custom Island Ventilator System

FINISH DETAILS

- Designed to be covered by custom materials—no standard exterior finish
- Stainless steel interior
- See **Custom Panels** section for more information and additional specifications.



★ Please see Installation Notes & Accessories for important information, including ventilator kits.

Dimensions & Specifications

PRODUCT DIMENSIONS



VBCV Professional Custom Wall Ventilator System



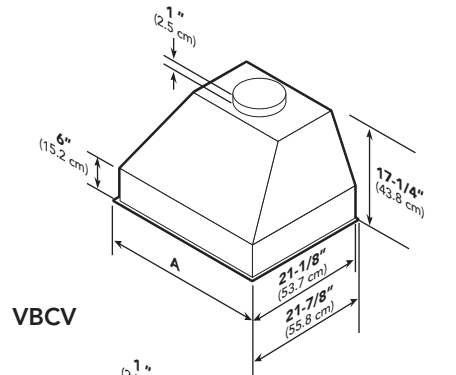
VICV Professional Custom Island Ventilator System



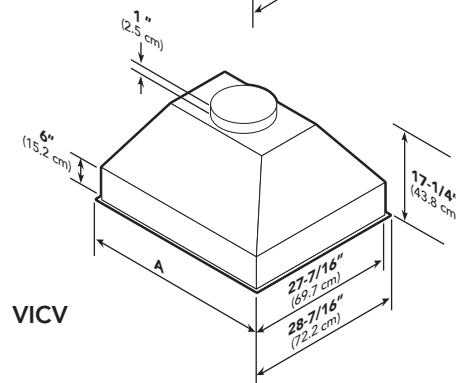
DBCV Designer Custom Wall Ventilator System



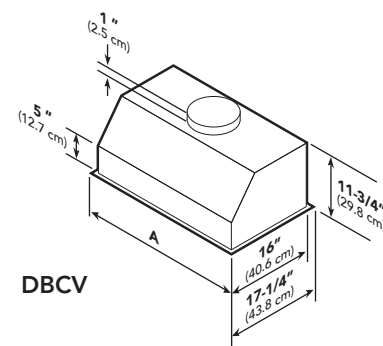
DICV Designer Custom Island Ventilator System



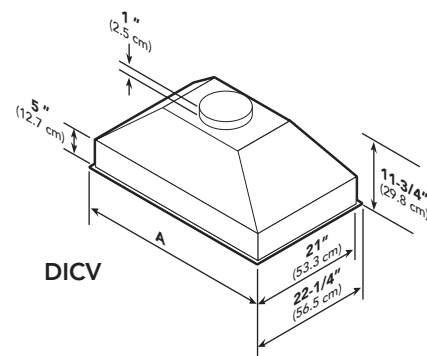
VBCV



VICV



DBCV



DICV

Model	Width (A)	Hood Depth	Height	Lights	Filters	Heat Lamps	Approx. Ship. wt.
VBCV3038	28-1/4" (71.8 cm)	21-7/8" (55.8 cm)	17-1/4" (43.8 cm)	2	2	1	60 lbs. (27.0 kg)
VBCV3638	34-1/4" (87.0 cm)	21-7/8" (55.8 cm)	17-1/4" (43.8 cm)	2	2	1	68 lbs. (30.6 kg)
VBCV4238	40-1/4" (102.2 cm)	21-7/8" (55.8 cm)	17-1/4" (43.8 cm)	2	2	1	76 lbs. (34.2 kg)
VBCV4838	46-1/4" (117.5 cm)	21-7/8" (55.8 cm)	17-1/4" (43.8 cm)	3	3	2	88 lbs. (39.6 kg)
VBCV5438	52-1/4" (132.7 cm)	21-7/8" (55.8 cm)	17-1/4" (43.8 cm)	3	3	2	96 lbs. (43.2 kg)
VBCV6038	58-1/4" (148.0 cm)	21-7/8" (55.8 cm)	17-1/4" (43.8 cm)	4	4	2	108 lbs. (48.6 kg)
VBCV6638	64-1/4" (163.2 cm)	21-7/8" (55.8 cm)	17-1/4" (43.8 cm)	4	4	2	121 lbs. (54.5 kg)
VICV3698	34-1/4" (87.0 cm)	28-7/16" (72.2 cm)	17-1/4" (43.8 cm)	4	4	N/A	73 lbs. (33.1 kg)
VICV4298	40-1/4" (102.2 cm)	28-7/16" (72.2 cm)	17-1/4" (43.8 cm)	4	4	N/A	83 lbs. (37.7 kg)
VICV5498	52-1/4" (132.7 cm)	28-7/16" (72.2 cm)	17-1/4" (43.8 cm)	6	6	N/A	115 lbs. (52.2 kg)
VICV6698	64-1/4" (163.2 cm)	28-7/16" (72.2 cm)	17-1/4" (43.8 cm)	8	8	N/A	128 lbs. (58.1 kg)
DBCV3082	29-5/8" (75.2 cm)	17-1/4" (43.8 cm)	11-3/4" (29.8 cm)	2	2	N/A	63 lbs. (28.4 kg)
DBCV3682	35-5/8" (90.5 cm)	17-1/4" (43.8 cm)	11-3/4" (29.8 cm)	2	2	N/A	70 lbs. (31.5 kg)
DBCV4282	41-5/8" (105.7 cm)	17-1/4" (43.8 cm)	11-3/4" (29.8 cm)	2	3	N/A	77 lbs. (34.7 kg)
DBCV4882	47-5/8" (121.0 cm)	17-1/4" (43.8 cm)	11-3/4" (29.8 cm)	2	3	N/A	85 lbs. (38.3 kg)
DICV3632	35-5/8" (90.5 cm)	22-1/4" (40.6 cm)	11-3/4" (29.8 cm)	4	2	N/A	88 lbs. (40.0 kg)
DICV4232	41-5/8" (105.7 cm)	22-1/4" (40.6 cm)	11-3/4" (29.8 cm)	4	2	N/A	96 lbs. (43.6 kg)
DICV5432	53-5/8" (136.2 cm)	22-1/4" (40.6 cm)	11-3/4" (29.8 cm)	4	3	N/A	106 lbs. (48.1 kg)



VENTILATION

Built-In Custom Ventilator Systems



Installation Requirements



VBCV Professional Custom Wall Ventilator System



VICV Professional Custom Island Ventilator System



DBCV Designer Custom Wall Ventilator System



DICV Designer Custom Island Ventilator System

UTILITY REQUIREMENTS

Proper installation/ ducting is extremely important to ensure maximum performance. Use a qualified and trained installer.



DUCTING

- Check with a qualified and trained installer or local codes for makeup air requirements, if any.
- Max. duct run length
 - For 300 – 1,200 CFM—50' (152.4 m)
 - For 1,500 CFM—75' (22.9 m)
- Duct run length is for general reference only; always use a qualified and trained installer.



GAS

Not applicable



ELECTRICAL

- Hardwire direct with two-wire ground
- 120 VAC/60 Hz
- Max. amp usage (rating includes recommended ventilator kit rating)—see **Installation Requirements** table



PLUMBING

Not applicable

Note: Exhaust capacity based on tests with 0.1 static pressure. Without applying static pressure (some brands do not), CFM could be greatly overstated.

Model	Ventilator Kits		Duct Size		Max. Amps	
	Interior	Exterior	Interior	Exterior	Interior	Exterior
VBCV3038	VIV300/600/1200*	VEV900/1200*	7" (17.8 cm)/ 10" (25.4 cm)	10" (25.4 cm)	5.0/6.2/8.7	8.7/6.1
VBCV3638	VIV300/600/1200*	VEV900/1200*	7" (17.8 cm)/ 10" (25.4 cm)	10" (25.4 cm)	5.0/6.2/8.7	8.7/6.1
VBCV4238	VIV600/1200*	VEV900/1200*	7" (17.8 cm)/ 10" (25.4 cm)	10" (25.4 cm)	6.2/8.7	8.7/6.1
VBCV4838	VIV1200*	VEV1200*/1500	10" (25.4 cm)	10" (25.4 cm)	11.1	8.4/9.1
VBCV5438	VIV1200*	VEV1200*/1500	10" (25.4 cm)	10" (25.4 cm)	11.1	8.4/9.1
VBCV6038	VIV1200*	VEV1200*/1500	10" (25.4 cm)	10" (25.4 cm)	11.5	8.8/9.5
VBCV6638	VIV1200*	VEV1200*/1500	10" (25.4 cm)	10" (25.4 cm)	11.5	8.8/9.5
VICV3698	VIV600/VIV1200*	VEV900/1200*	7" (17.8 cm)	10" (25.4 cm)	4.9/7.4	7.4/4.7
VICV4298	VIV600/1200*	VEV900/1200*/1500	7" (17.8 cm)	10" (25.4 cm)	4.9	7.4/4.8/5.4
VICV5498	VIV1200*	VEV1200*/1500	10" (25.4 cm)	10" (25.4 cm)	8.2	5.6/6.2
VICV6698	VIV1200*	VEV1200*/1500	10" (25.4 cm)	10" (25.4 cm)	9.0	6.3/7.1
DBCV3082	DIV300/440	DEV900**/1200*	7" (17.8 cm)	10" (25.4 cm)	1.7/3.2	6.6/3.9
DBCV3682	DIV300/440	DEV900**/1200*	7" (17.8 cm)	10" (25.4 cm)	1.7/3.2	6.6/3.9
DBCV4282	DIV440	DEV900**/1200*	7" (17.8 cm)	10" (25.4 cm)	3.2	6.6/3.9
DBCV4882	DIV880	DEV1200/1500	10" (25.4 cm)	10" (25.4 cm)	5.6	4.3/5.1
DICV3632	DIV440	DEV900**/1200*	7" (17.8 cm)	10" (25.4 cm)	4.0	7.5/5.2
DICV4232	DIV440	DEV900**/1200/1500	7" (17.8 cm)	10" (25.4 cm)	4.0	7.5/5.2/6.0
DICV5432	DIV880	DEV1200/1500	10" (25.4 cm)	10" (25.4 cm)	6.4	5.2/6.0

*1200 CFM interior and exterior (if applicable) ventilator should be used with all outdoor approved models and when indoor models are installed over ranges/rangetops with gas grill.

**Must use 8" duct from canopy to ceiling – transition to 10" duct past duct cover.





✦ Installation Notes & Accessories

Ventilator Kits

- See **Installation Requirements** table for recommendations for each hood model
- One ventilator, one duct run for any size hood/ventilator
- A 1,200 CFM interior or 1,500 CFM exterior (if applicable) ventilator should be used over ranges/rangetops with gas grill
- Must use Viking ventilator kits with Viking hoods; use of non-Viking kits voids product warranty

Kit model	Description	Hood models	Approx. ship wt. lbs. (kg)
VIV300	300 CFM interior-power	VBCV3038/3638	27 (12.2)
VIV600	440 CFM interior-power	VBCV3038/3638/4238 & VCIV3698/4298	27 (12.2)
VIV1200	1200 CFM interior-power	VBCV3038/3638/4238/4838/5438/6038/6638 & VCIV3698/5498/6698	43 (19.4)
VEV900	900 CFM exterior-power	VBCV3038/3638/4238 & VICV3698/4298	39 (17.6)
VEV1200	1200 CFM exterior-power	VBCV4838/5438/6038/6638 & VICV3698/4298/5498/6698	53 (23.9)
VEV1500	1500 CFM exterior-power	VBCV4838/5438/6038/6638 & VICV4298/5498/6698	47 (21.3)
DIV300	300 CFM interior-power	DBC3082/3682	15 (6.8)
DIV440	440 CFM interior-power	DBC3082/3682/4282 & DICV3632/4232	25 (11.3)
DIV880	880 CFM interior-power	DBC4882 & DICV5432	36 (16.2)
DEV900	900 CFM exterior-power	DBC3082/3682/4282 & DICV3632/4232	39 (17.6)
DEV1200	1200 CFM exterior-power	DBC3082/3682/4282/4882 & DICV3632/4232/5432	53 (23.9)
DEV1500	1500 CFM exterior-power	DBC4882 & DICV4232/5432	53 (23.9)

Compliance Information



WARRANTY SUMMARY*

- One-year full warranty—complete product
- Five-year limited warranty—all ventilator motors
- Ninety-day limited warranty—cosmetic parts such as glass, painted, and decorative items

*Must use Viking ventilator kits with Viking hoods; use of non-Viking kits voids product warranty. For complete warranty see *Use & Care Guide*.
Warranty valid on Viking products shipped within the United States and Canada.

