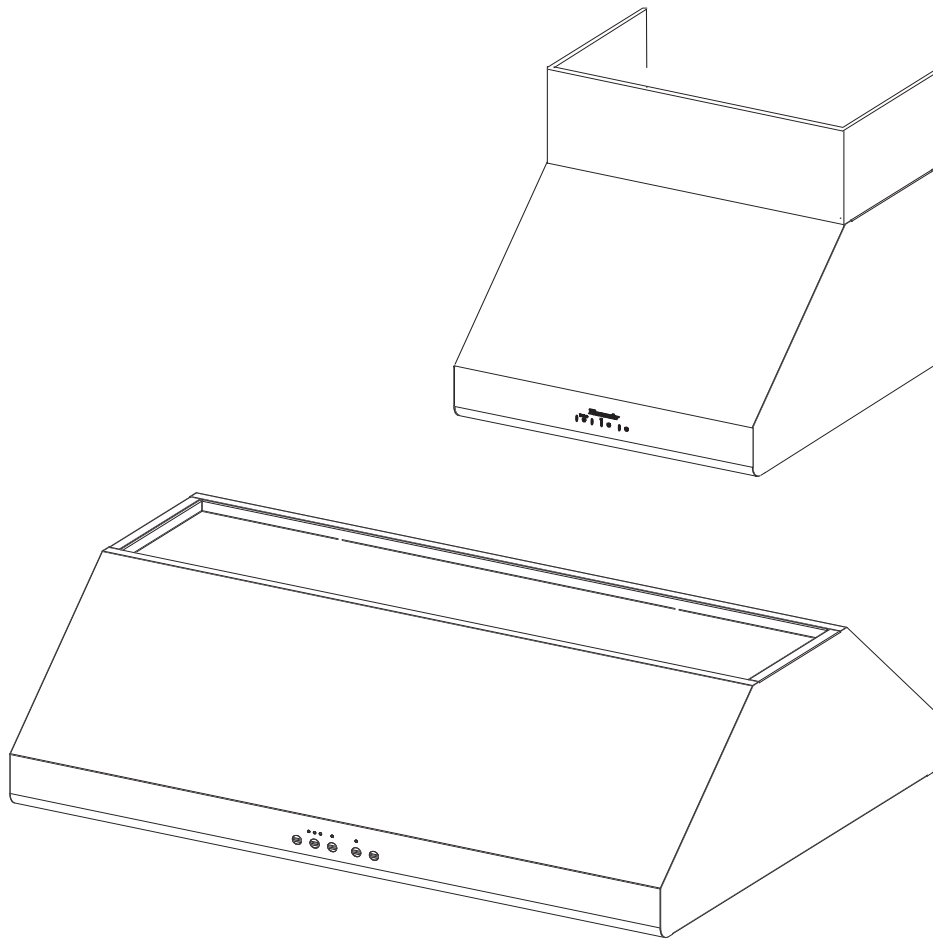


Thermador[®]

CARE AND USE MANUAL

for

PH and PHI SERIES PROFESSIONAL WALL and ISLAND HOODS



PH30ZS, PH36ZS, PH42ZS,
PH48ZS, PH54ZS,
PHI48ZS and PHI60ZS

READ AND SAVE THESE INSTRUCTIONS

A special message to Our Customers,

Thank you for buying a Thermador Hood. Please take the time to read and understand this entire booklet before using your new appliance.

We hope that the information in this manual will help you easily operate and care for your Hood with years of satisfaction.

Please contact us if you have any questions or comments. Thermador's address and phone number are listed on the last page of each language section in this booklet.

TABLE OF CONTENTS

Important Safety Instructions	3
Operating the Hood	4
Hood Control Buttons	5
Care and Cleaning	6
Maintenance	7
Thermador Hood Warranty	8

Retain this manual for future reference.

Note: The Thermador Hood referred to throughout this manual is manufactured by BSH Home Appliances Corporation.

IMPORTANT SAFETY INSTRUCTIONS

WARNING

TO REDUCE THE RISK OF FIRE, ELECTRIC SHOCK, OR INJURY TO PERSONS, OBSERVE THE FOLLOWING:

1. Use this unit only in the manner intended by the manufacturer. If you have questions, contact the manufacturer (800/735-4328).
2. Before servicing or cleaning the unit, switch power off at service panel and lock service panel. This will prevent power from being switched on accidentally. When the service panel cannot be locked, securely fasten a prominent warning device, such as a tag to the service panel.

WARNING

FOR GENERAL VENTILATING USE ONLY. TO AVOID A FIRE OR EXPLOSION HAZARD DO NOT USE TO EXHAUST HAZARDOUS OR EXPLOSIVE MATERIALS OR VAPOR.

WARNING

TO REDUCE THE RISK OF A RANGE TOP GREASE FIRE.

1. Never leave surface units unattended at high settings. Boilovers cause smoking and greasy spillovers that may ignite. Heat oils slowly on low or medium settings.
2. Always turn hood ON when cooking on high heat or when flambéing foods.
3. Clean ventilating fans frequently. Grease should not be allowed to accumulate on fan or filter.
4. Use proper pan size. Always use cookware appropriate for the size of the surface element.

WARNING

TO REDUCE THE RISK OF INJURY TO PERSONS, IN THE EVENT OF A RANGE TOP GREASE FIRE, OBSERVE THE FOLLOWING:

- a) SMOTHER FLAMES with a close-fitting lid, cookie sheet, or other metal tray, then turn off the gas burner or the electric element. BE CAREFUL TO PREVENT BURNS. If the flames do not go out immediately, EVACUATE AND CALL THE FIRE DEPARTMENT.
- b) NEVER PICK UP A FLAMING PAN, you may be burned.
- c) DO NOT USE WATER, including wet dish cloths or towels - a violent steam explosion may result.
- d) Use an extinguisher **ONLY** if:
 - 1) You know you have a class ABC extinguisher, and you already know how to operate it.
 - 2) The fire is small and contained in the area where it started.
 - 3) The fire department is being called.
 - 4) You can fight the fire with your back to an exit.

READ AND SAVE THESE INSTRUCTIONS

OPERATING THE HOOD

The blower should be turned on for about 5 minutes **before** cooking in order to establish air currents upward through the hood. Thus when heat, smoke, moisture, grease and cooking odors are produced, they will be carried outside instead of drifting into other rooms. Use the low speeds for normal use and the higher speeds for strong odors or fumes.

Drafts across the range or cooktop will reduce the effectiveness of the hood. Such drafts should be prevented when possible.

The best job of ventilation in the kitchen is done where the only air currents are those created by the blower itself.

CONTROL PANEL FOR WALL HOODS

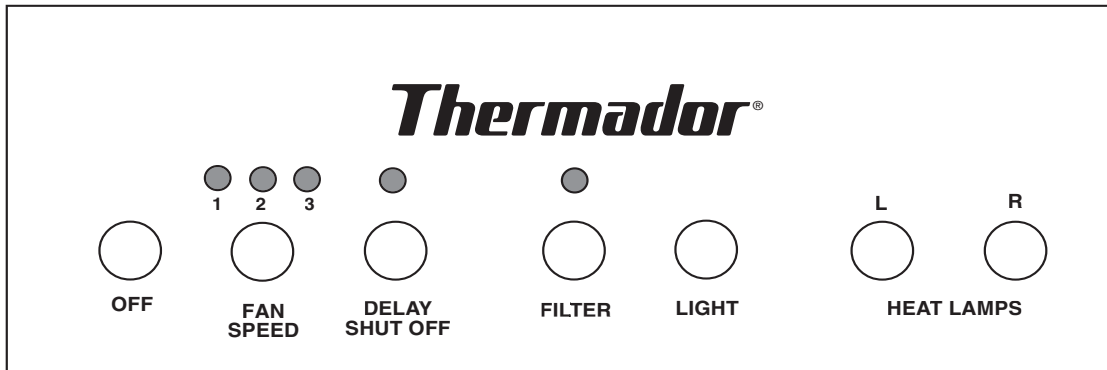


Figure 1

CONTROL PANEL FOR ISLAND HOODS

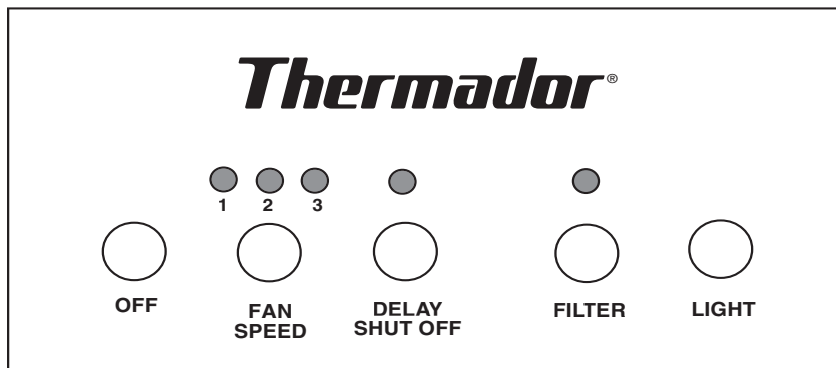


Figure 2

Note: The PH Series Wall Hoods come with Heat Lamps. PHI Series Island Hoods do not come with Heat Lamps.

HOOD CONTROL BUTTONS

OFF

Pressing button once turns ventilator off and resets control.

FAN SPEED

Pressing button once, from an off state, turns the ventilator on low. Each successive press of the button increases the fan speed until high where the fan cycles back to the low speed.

- The LEDs above this button indicate the current fan speed. When the fan is on, the corresponding LED is illuminated.
 - 1 – Low
 - 2 – Medium
 - 3 – High

DELAY SHUT OFF

- Press to turn fan on high for 10 minutes.

If the ventilator is off when the delay button is pressed, the ventilator will turn on to the high speed setting for 10 minutes. At the end of the cycle the ventilator will turn off.

If the ventilator is on when the delay button is pressed, the ventilator runs for 10 minutes at the current speed then turns off.

- During a timed period, the LED above the Delay Shut Off button is illuminated.
- To interrupt a timed period, press Fan Speed or Off button.

CLEAN FILTER REMINDER

After 40 hours of operation, the clean filter reminder LED above this button will illuminate indicating that the filters need to be cleaned. When this indicator illuminates, clean the filters as instructed on page 6. After cleaning, press this button for 3 seconds to reset the 40-hour period and turn the LED off.

LIGHT On/Dim/Off

This button controls the halogen lighting. The first press turns the lights on. A second press dims the lights. A third press turns the lights off.

HEAT LAMP (for Wall Hoods Only)

The buttons marked “L” and “R” independently control the left and right infrared heating lamps, turning the lights on or off.

HEAT SENSOR

Your hood is equipped with a heat sensor that will turn the blower to Low speed if excessive heat occurs above the cooking surfaces.

1. If the blower is off – it turns the blower on to low speed.
2. If the blower is already on any speed selection, no speed change will occur.

When the temperature level on the hood drops to normal, the blower will return to its original setting.

Over Temperature Condition - The high temperature sensor protects the hood from high temperatures which may damage components. The control is set to activate at 161° F (72° C) and reset at 140°F (60° C). When activated, the ventilator will turn on low and the corresponding LED will blink, indicating an over temperature condition.

While the high temperature sensor is activated, the blower speed can be changed or turned off. If the blower is turned off, the corresponding LED will blink. Light controls will remain operational. When the control sensor reaches 140°F (60° C), a reset will occur. During reset, the control will revert back to the operational state prior to the high temperature condition.

High Temperature Fault Condition - The circuit is equipped with an alarm indicating that the heat sensor protection is not working, due to a damaged sensor. In the case of this extreme condition, the three speed indicator LEDs will start blinking. All the controls will be operational except for the speed indicators.

CARE AND CLEANING

To Clean Hood Surface

- For general care, wipe the outside of the stainless steel with sudsy water or household cleaners such as Fantastic® or Formula 409®, rinse well and dry with a clean soft cloth to avoid water marks.
- Wipe and dry stainless steel in the same direction as the grain. Avoid using too much pressure, which may mar the surface.
- Do not use abrasive products such as steel wool.
- To remove finger prints and give added shine, use spray cleaners such as Stainless Steel Magic® and Shimmer®.
- Do not allow any cleaning compounds to remain in contact with stainless steel for extended periods.

To Clean Filters and Troughs

Your hood has removable aluminum filters, grease troughs and side panels. They must be cleaned when the filter light illuminates on the control panel or whenever they collect the grease. When used over a grill, wok or other high grease applications, more frequent cleaning may be required.

To Remove Filters and Grease Troughs:

- Turn the fan and lights off. Be sure filters are cool and grease has congealed before removal.
- Remove in the following order:
 1. **Filters** - Start with center filters, push up, then pull out from the bottom.
 2. **Side Panels** - Remove these the same way as the filters.
 3. **Grease Troughs** - lift up and out.
- The filters can be washed by hand or in the dishwasher.

Reverse the above directions to reinsert the trough, filters and side panels.

Note: Depending upon the size and model of hood, there will be anywhere from 2 to 8 filters per hood.

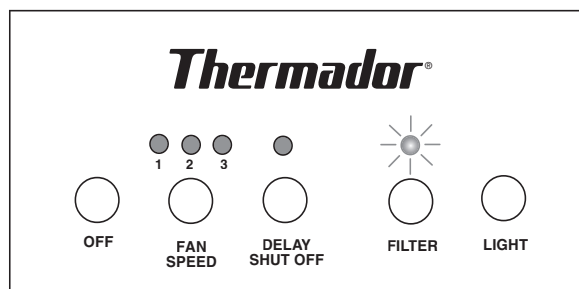


Figure 3

NOTE: DO NOT USE COOKTOP WHILE HOOD IS DISASSEMBLED. GREASE TROUGHS MUST BE IN PLACE BEFORE INSTALLING THE ALUMINUM FILTERS.

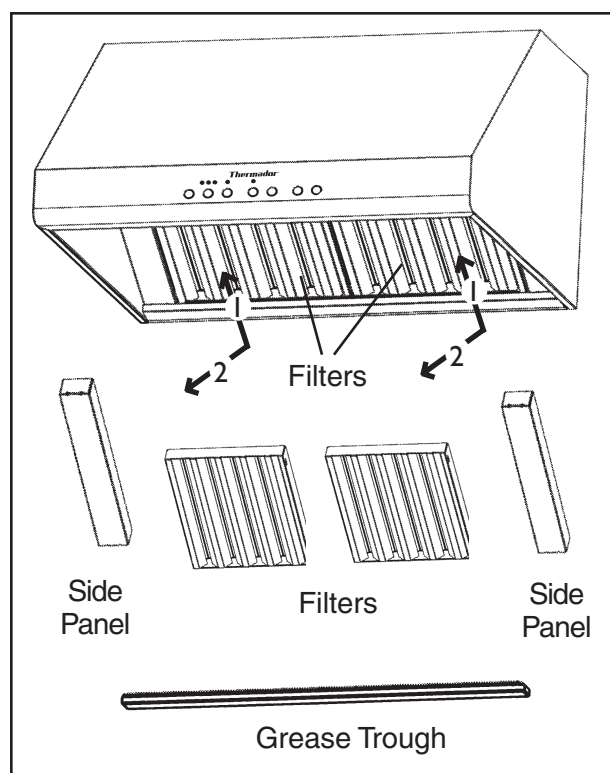


Figure 4

MAINTENANCE

LIGHTS

NOTE: Turn off the lights and fan. Allow the lights to cool before handling. If new lights do not operate, be sure lights are inserted correctly before calling service.

Halogen Light Replacement (for PH and PHI Model Wall and Island Hoods)

- Using a flat edge from a screwdriver or equivalent tool, pry loose the lens cover as shown in Figure 5.
- Remove the damaged light and replace with a new 12 Volt, 20 Watt (maximum) halogen light made for a G-4 base. Follow package directions and do not touch new light with bare hands.
- Reinstall the light and cover.

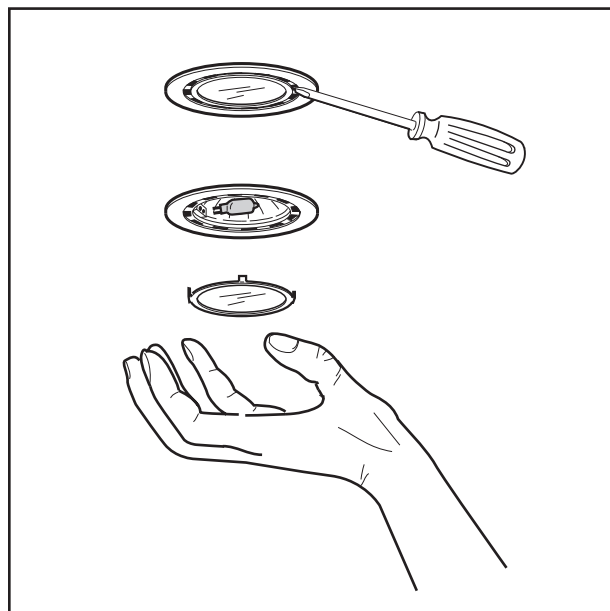


Figure 5

HEAT LAMP REPLACEMENT (for PH Wall Hood Models Only)

- Turn heat lamp counterclockwise to remove.
- Replace lamp with either a PAR-38 175W heat lamp or a PAR-40 250W heat lamp.

The PAR-38 175W heat lamp provides a tighter seal within the enclosure and produces the same amount of effective heat with lower energy consumption. These lamps may not be readily available at local retail outlets. The PAR-40 250W heat lamp is readily available at local retail outlets.

To order PAR-38 175 heat lamps with a credit card, phone:

- OpTechInc. 800-848-6624 or
- www.bulbs.com 888-455-2800

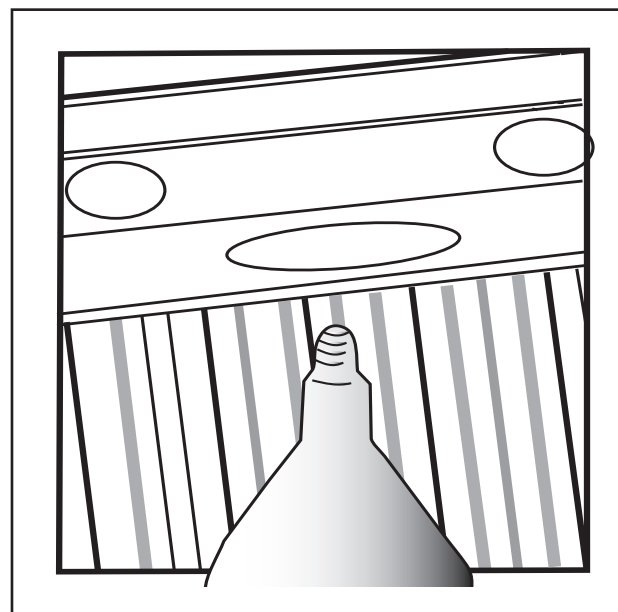


Figure 6

CAUTION

DO NOT TOUCH THE BULBS IMMEDIATELY AFTER USE. THE BULBS WILL REMAIN HOT FOR SEVERAL MINUTES. DO NOT PLACE HIGHLY FLAMMABLE MATERIAL ON WARMING SHELVES.

THERMADOR HOOD WARRANTY

FULL ONE YEAR WARRANTY

Covers one year from date of installation, or date of occupancy on a new, or previously unoccupied dwelling. Save your dated receipt or other evidence of installation/ occupancy date.

Thermador **Will Pay** For:

All repair labor and replacement parts found to be defective due to materials and workmanship.

Service must be provided by a Factory Authorized Service Agency, during normal working hours. For a Service Agency nearest you, please call 800/735-4328.

Thermador **Will Not Pay** For:

1. Service by an unauthorized agency, damage or repairs due to service by an unauthorized agency or the use of unauthorized parts.
2. Service visits to:
 - Teach you how to use the appliance.
 - Correct defects or repairs due to improper installation. You are responsible for providing electrical wiring and other connecting facilities.
 - Reset circuit breakers or replace home fuses.
 - Damage caused from accident, alteration, misuse, abuse, improper installation or installation not in accordance with local electrical codes or plumbing codes, or improper storage of the appliance.
 - Travel fees and associated charges incurred when the product is installed in a location with limited or restricted access. (i.e., airplane flights, ferry charges, isolated geographic regions).
 - Repairs due to other than normal home use.

This warranty applies to appliances used in residential applications. These products are not intended for installations, nor will any warranty apply if they are so used.

The warranty is for products purchased and retained in the 50 states of the U. S. A., the District of Columbia and Canada. Should the appliance be sold by the original purchaser during the warranty period, the new owner continues to be protected until the expiration date of the original purchaser's warranty period. Products for use in Canada must be purchased through the Canadian distribution channel to ensure regulatory compliance and warranty coverage

This warranty gives you specific legal rights. You may also have other rights which vary from state to state.

HOW TO OBTAIN SERVICE

- Contact the Factory Authorized Service Agent in your area.
- Contact the Dealership where you purchased the appliance.
- Call the Thermador Customer Support Call Center at 800-735-4328.
- Write us to at: Thermador 5551 McFadden Avenue, Huntington Beach CA, 92649.

Thermador[®]

5551 McFadden Avenue, Huntington Beach, CA 92649 • 800/735-4328
© 2002 BSH Home Appliances, Corp. • Litho in U. S. A.
50 60 00 66 39 (8207)