

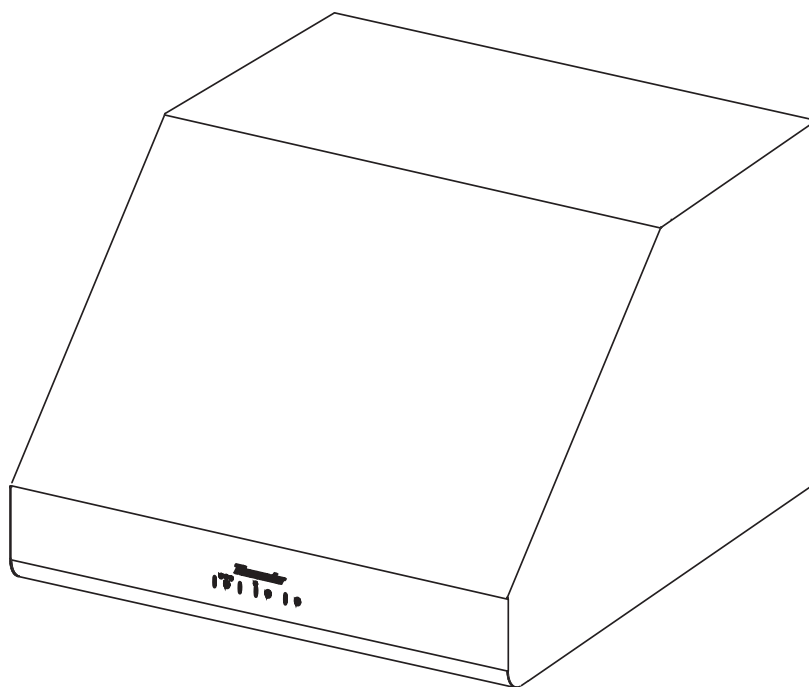
**Thermador**<sup>®</sup> | *An American Icon*<sup>™</sup>

# CARE AND USE MANUAL

for

PH SERIES PROFESSIONAL

WALL HOODS



PH30CS, PH36CS, PH42CS,  
PH48CS and PH54CS

**READ AND SAVE THESE INSTRUCTIONS**

A special message to Our Customers,

Thank you for buying a Thermador Hood, manufactured by BSH Home Appliances Corporation. Please take the time to read and understand this entire booklet before using your new appliance.

We hope that the information in this manual will help you easily operate and care for your hood with years of satisfaction.

Please contact us if you have any questions or comments. Our address and phone number are listed on the back cover.

## TABLE OF CONTENTS

Important Safety Information .....	3
Operation - Using the Controls .....	4
Care, Cleaning and Maintenance .....	6
Customer Service, Warranty .....	8

# IMPORTANT SAFETY INSTRUCTIONS

Retain this manual for future reference.

## WARNING

TO REDUCE THE RISK OF FIRE, ELECTRIC SHOCK, OR INJURY TO PERSONS, OBSERVE THE FOLLOWING:

1. Use this unit only in the manner intended by the manufacturer. If you have questions, contact the manufacturer (800/735-4328).
2. Before servicing or cleaning the unit, switch power off at service panel and lock service panel. This will prevent power from being switched on accidentally. When the service panel cannot be locked, securely fasten a prominent warning device, such as a tag to the service panel.

## WARNING

FOR GENERAL VENTILATING USE ONLY. TO AVOID A FIRE OR EXPLOSION HAZARD DO NOT USE TO EXHAUST HAZARDOUS OR EXPLOSIVE MATERIALS OR VAPOR.

## WARNING

TO REDUCE THE RISK OF A RANGE TOP GREASE FIRE.

1. Never leave surface units unattended at high settings. Boilovers cause smoking and greasy spillovers that may ignite. Heat oils slowly on low or medium settings.
2. Always turn hood ON when cooking on high heat or when flambéing foods.
3. Clean ventilating fans frequently. Grease should not be allowed to accumulate on fan or filter.
4. Use proper pan size. Always use cookware appropriate for the size of the surface element.

## WARNING

TO REDUCE THE RISK OF INJURY TO PERSONS, IN THE EVENT OF A RANGE TOP GREASE FIRE, OBSERVE THE FOLLOWING:

- a) SMOTHER FLAMES with a close-fitting lid, cookie sheet, or other metal tray, then turn off the gas burner or the electric element. BE CAREFUL TO PREVENT BURNS. If the flames do not go out immediately, EVACUATE AND CALL THE FIRE DEPARTMENT.
- b) NEVER PICK UP A FLAMING PAN, you may be burned.
- c) DO NOT USE WATER, including wet dish cloths or towels - a violent steam explosion may result.
- d) Use an extinguisher **ONLY** if:
  - 1) You know you have a class ABC extinguisher, and you already know how to operate it.
  - 2) The fire is small and contained in the area where it started.
  - 3) The fire department is being called.
  - 4) You can fight the fire with your back to an exit.

# OPERATING THE HOOD

The blower should be turned on for about 5 minutes **before** cooking in order to establish air currents upward through the hood. Thus when heat, smoke, moisture, grease and cooking odors are produced, they will be carried outside instead of drifting into other rooms. Use the low speeds for normal use and the higher speeds for strong odors or fumes.

Drafts across the range or cooktop will reduce the effectiveness of the hood. Such drafts should be prevented when possible.

The best job of ventilation in the kitchen is done where the only air currents are those created by the blower itself.

## Hood Control Panel

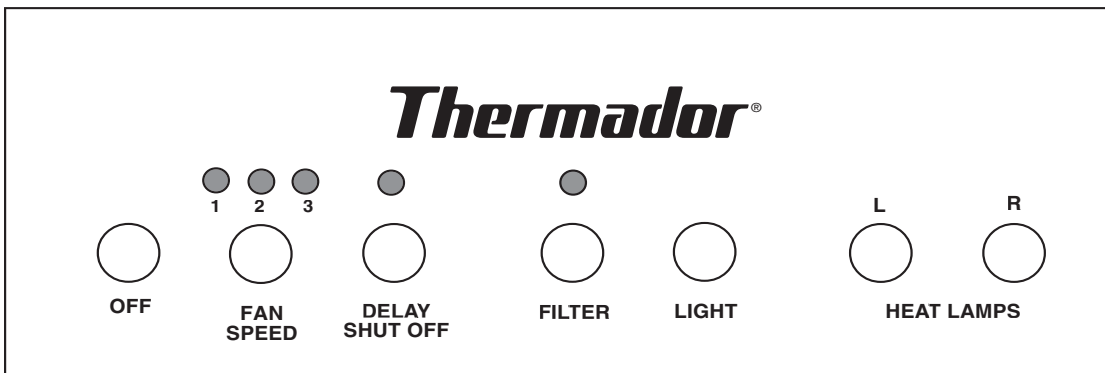


Figure 1

**Note:** The PH Series Wall Hoods come with Heat Lamps.

# HOOD CONTROL BUTTONS

## Off

Pressing button once turns ventilator off and resets control.

## Fan Speed

Pressing button once, from an off state, turns the ventilator on low. Each successive press of the button increases the fan speed until high then the fan cycles back to the low speed.

- The LEDs above this button indicate the current fan speed. When the fan is on, the corresponding LED is illuminated.
  - 1 – Low
  - 2 – Medium
  - 3 – High

## Delay Shut Off

- Press to turn fan on high for 10 minutes.

If the ventilator is off when the delay button is pressed, the ventilator will turn on to the high speed setting for 10 minutes. At the end of the cycle the ventilator will turn off.

If the ventilator is on when the delay button is pressed, the ventilator runs for 10 minutes at the current speed then turns off.
- During a timed period, the LED above the Delay Shut Off button is illuminated.
- To interrupt a timed period, press Fan Speed or Off button.

## Clean Filter Reminder

After 40 hours of operation, the clean filter reminder LED above this button will illuminate indicating that the filters need to be cleaned. When this indicator illuminates, clean the filters as instructed on page 6. After cleaning, press this button for 3 seconds to reset the 40-hour period and turn the LED off.

## Light On/Dim/Off

This button controls the halogen lighting. The first press turns the lights on. A second press dims the lights. A third press turns the lights off.

## Heat Lamp

The buttons marked “L” and “R” independently control the left and right infrared heating lamps, turning the lights on or off.

## Heat Sensor

**Note:** The heat sensor features listed below are not available when the hood is installed with the remote control accessory.

Your hood is equipped with a heat sensor that will turn the blower to Low speed if excessive heat occurs above the cooking surfaces.

1. If the blower is off – it turns the blower on to low speed.
2. If the blower is already on any speed selection, no speed change will occur.

When the temperature level on the hood drops to normal, the blower will return to its original setting.

**Over Temperature Condition** - The high temperature sensor protects the hood from high temperatures which may damage components. The control is set to activate at 161° F (72° C) and reset at 140° F (60° C). When activated, the ventilator will turn on low and the corresponding LED will blink, indicating an over temperature condition.

While the high temperature sensor is activated, the blower speed can be changed or turned off. If the blower is turned off, the corresponding LED will blink. Light controls will remain operational. When the control sensor reaches 140° F (60° C), a reset will occur. During reset, the control will revert back to the operational state prior to the high temperature condition.

**High Temperature Fault Condition** - The circuit is equipped with an alarm indicating that the heat sensor protection is not working, due to a damaged sensor. In the case of this extreme condition, the three speed indicator LEDs will start blinking. All the controls will be operational except for the speed indicators.

# CARE AND CLEANING

## To Clean Hood Surface

- For general care, wipe the outside of the stainless steel with sudsy water or household cleaners such as Fantastic® or Formula 409®, rinse well and dry with a clean soft cloth to avoid water marks.
- Wipe and dry stainless steel in the same direction as the grain. Avoid using too much pressure, which may mar the surface.
- Do not use abrasive products such as steel wool.
- To remove finger prints and give added shine, use spray cleaners such as Stainless Steel Magic® and Shimmer®.
- Do not allow any cleaning compounds to remain in contact with stainless steel for extended periods.

The use of brand names is intended only to indicate a type of cleaner. This does not constitute an endorsement. The omission of any brand name cleaner does not imply its adequacy or inadequacy. Many products are regional in distribution and can be found in the local markets. It is imperative that all products be used in strict accordance with instructions on the package.

## To Clean Filters and Troughs

Your hood has removable aluminum filters, grease troughs and side panels. They must be cleaned when the filter light illuminates on the control panel or whenever they collect grease. When used over a grill, wok or other high grease applications, more frequent cleaning may be required.

## To Remove Filters and Grease Troughs:

- Turn the fan and lights off. Be sure filters are cool and grease has congealed before removal.
- Remove in the following order:
  1. **Filters** - Start with center filters, push up, then pull out from the bottom.
  2. **Side Panels** - Remove these the same way as the filters.
  3. **Grease Troughs** - lift up and out.
- The filters and grease troughs can be washed by hand or in the dishwasher. The side panels may be washed with warm soapy water and polished with stainless steel cleaner.

Reverse the above directions to reinsert the trough, filters and side panels.

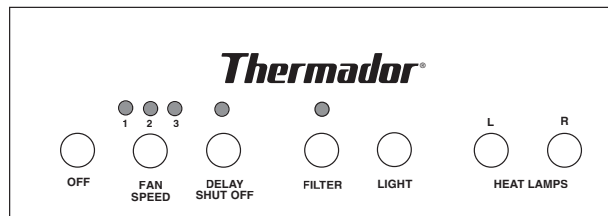


Figure 2

**Note:** Do not use cooktop while hood is disassembled. Grease troughs must be in place before installing the aluminum filters.

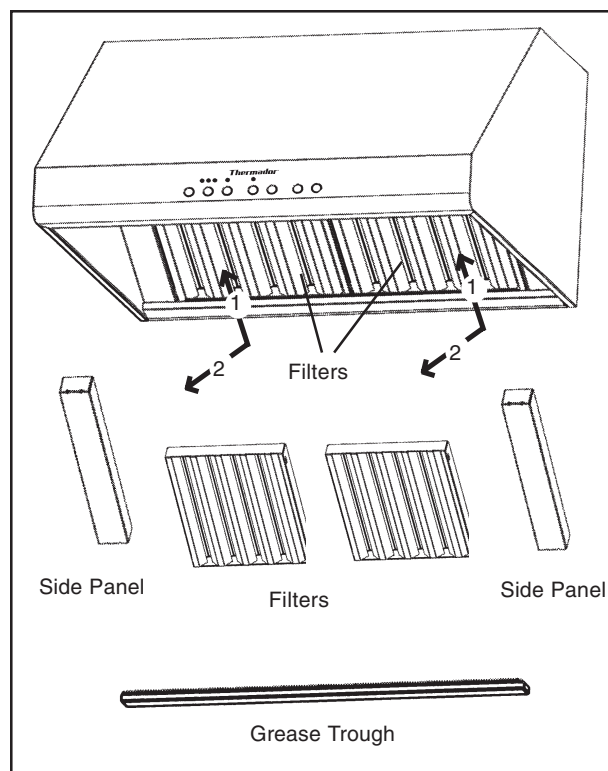


Figure 3

**Note:** Depending upon the size and model of hood, there will be anywhere from 1 to 3 filters per hood.

# MAINTENANCE

## Lights

NOTE: Turn off the lights and fan. Allow the lights to cool before handling. If new lights do not operate, be sure lights are inserted correctly before calling service.

### Halogen Light Replacement

- Using a flat edge from a screwdriver or equivalent tool, pry loose the lens cover as shown in Figure 5.
- Remove the damaged light and replace with a new 12 Volt, 20 Watt (maximum) halogen light made for a G-4 base. Follow package directions and do not touch new light with bare hands.
- Reinstall the light and cover.

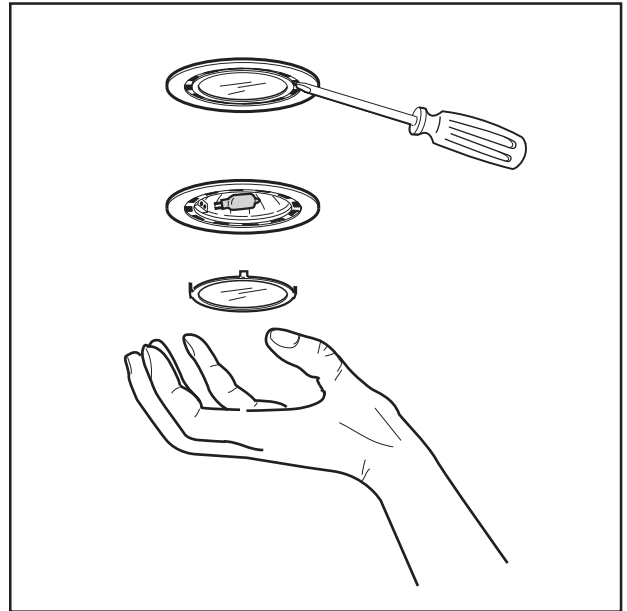


Figure 4

### Heat Lamp Replacement

- Turn heat lamp counterclockwise to remove.
- Replace lamp with either a PAR-38 175W heat lamp or a PAR-40 250W heat lamp.

The PAR-38 175W heat lamp provides a tighter seal within the enclosure and produces the same amount of effective heat with lower energy consumption. These lamps may not be readily available at local retail outlets. The PAR-40 250W heat lamp is more widely available. It can be used instead.

PAR-38 175W heat lamps can be purchased through the following retailers:

- OpTech Inc: 800-848-6624
- bulbs.com: 888-455-2800 or [www.bulbs.com](http://www.bulbs.com)

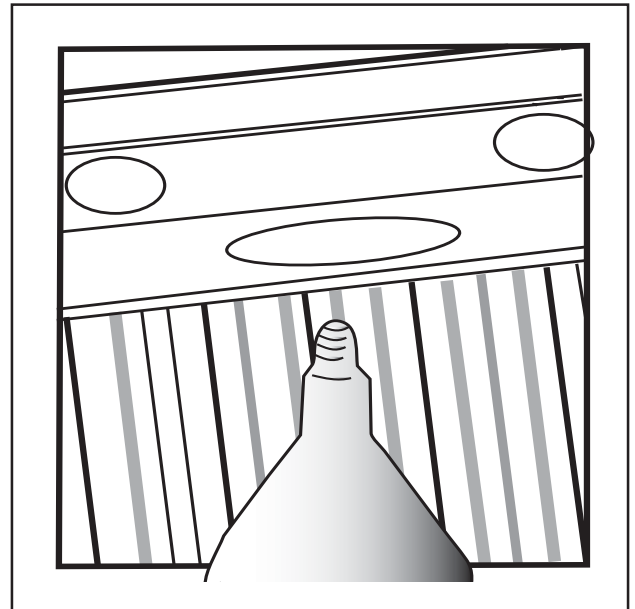


Figure 5

## CAUTION

Do not touch the bulbs immediately after use. The bulbs will remain hot for several minutes. Do not place highly flammable material on warming shelves.

## **STATEMENT OF LIMITED PRODUCT WARRANTY**

Thermador

**What this Warranty Covers & Who it Applies to:** The limited warranty provided BSH Home Appliances “Thermador” in this Statement of Limited Product Warranty applies only to the Thermador (“Product”) sold to you, the first using purchaser, provided that the Product was purchased: (1) for your normal, household (non-commercial) use, and has in fact at all times only been used for normal household purposes; (2) new at retail (not a display, “as is”, or previously returned model), and not for resale, or commercial use; and (3) within the United States or Canada, and has at all times remained within the country of original purchase. The warranties stated herein apply only to the first purchaser of the Product and are not transferable.

Please make sure to return your registration card; while not necessary to effectuate warranty coverage, it is the best way for Thermador to notify you in the unlikely event of a safety notice or product recall.

**How Long the Warranty Lasts:** Thermador warrants that the Product is free from defects in materials and workmanship for a period of Three hundred and sixty days (360) days from the date of purchase. The foregoing timeline begins to run upon the date of purchase, and shall not be stalled, tolled, extended, or suspended, for any reason whatsoever.

**Repair/Replace as Your Exclusive Remedy:** During this warranty period, Thermador or one of its authorized service providers will repair your Product without charge to you (subject to certain limitations stated herein) if your Product proves to have been manufactured with a defect in materials or workmanship. If reasonable attempts to repair the Product have been made without success, then Thermador will replace your Product (upgraded models may be available to you, in Thermador’s sole discretion, for an additional charge). All removed parts and components shall become the property of Thermador at its sole option. All replaced and/or repaired parts shall assume the identity of the original part for purposes of this warranty and this warranty shall not be extended with respect to such parts. Thermador’s sole liability and responsibility hereunder is to repair manufacturer-defective Product only, using a Thermador-authorized service provider during normal business hours. For safety and property damage concerns, Thermador highly recommends that you do not attempt to repair the Product yourself, or use an unauthorized servicer; Thermador will have no responsibility or liability for repairs or work performed by a non-authorized servicer. If you choose to have someone other than an authorized service provider work on your Product, **THIS WARRANTY WILL AUTOMATICALLY BECOME NULL AND VOID.** Authorized service providers are those persons or companies that have been specially trained on Thermador products, and who possess, in Thermador’s opinion, a superior reputation for customer service and technical ability (note that they are independent entities and are *not* agents, partners, affiliates or representatives of Thermador. Notwithstanding the foregoing, Thermador will not incur any liability, or have responsibility, for the Product if it is located in a remote area (more than 100 miles from an authorized service provider) or is reasonably inaccessible, hazardous, threatening, or treacherous locale, surroundings, or environment; in any such event, if you request, Thermador would still pay for labor and parts and ship the parts to the nearest authorized service provider, but you would still be fully liable and responsible for any travel time or other special charges by the service company, assuming they agree to make the service call.

**Out of Warranty Product:** Thermador is under no obligation, at law or otherwise, to provide you with any concessions, including repairs, pro-rates, or Product replacement, once this warranty has expired.

**Warranty Exclusions:** The warranty coverage described herein excludes all defects or damage that are not the direct fault of Thermador, including without limitation, one or more of the following: (1) use of the Product in anything other than its normal, customary and intended manner (including without limitation, any form of commercial use, use or storage of an indoor product outdoors, use of the Product in conjunction with air or water-going vessels); (2) any party’s willful misconduct, negligence, misuse, abuse, accidents, neglect, improper operation, failure to maintain, improper or negligent installation, tampering, failure to follow operating instructions, mishandling, unauthorized service (including self-performed “fixing” or exploration of the appliance’s internal workings); (3) adjustment, alteration or modification of any kind; (4) a failure to comply with any applicable state, local, city, or county electrical, plumbing and/or building codes, regulations, or laws, including failure to install the product in strict conformity with local fire and building codes and regulations; (5) ordinary wear and tear, spills of food, liquid, grease accumulations, or other substances that accumulate on, in, or around the Product; and (6) any external, elemental and/or environmental forces and factors, including without limitation, rain, wind, sand, floods, fires, mud slides, freezing temperatures, excessive moisture or extended exposure to humidity, lightning, power surges, structural failures surrounding the appliance, and acts of God. In no event shall Thermador have any liability or responsibility whatsoever for damage to surrounding property, including cabinetry, floors, ceilings, and other structures or objects around the Product. Also excluded from this warranty are scratches, nicks, minor dents, and cosmetic damages on external surfaces and exposed parts; Products on which the serial numbers have been altered, defaced, or removed; service visits to teach you how to use the Product, or visits where there is nothing wrong with the Product; correction of installation problems (you are solely responsible for any structure and setting for the Product, including all electrical, plumbing or other connecting facilities, for proper foundation/flooring, and for any alterations including without limitation cabinetry, walls, floors, shelving, etc.); and resetting of breakers or fuses. **TO THE EXTENT ALLOWED BY LAW, THIS WARRANTY SETS OUT YOUR EXCLUSIVE REMEDIES WITH RESPECT TO PRODUCT, WHETHER THE CLAIM ARISES IN CONTRACT OR TORT (INCLUDING STRICT LIABILITY, OR NEGLIGENCE) OR OTHERWISE. THIS WARRANTY IS IN LIEU OF ALL OTHER WARRANTIES, WHETHER EXPRESS OR IMPLIED. ANY WARRANTY IMPLIED BY LAW, WHETHER FOR MERCHANTABILITY OR FITNESS FOR A PARTICULAR PURPOSE, OR OTHERWISE, SHALL BE EFFECTIVE ONLY FOR THE PERIOD THAT THIS EXPRESS LIMITED WARRANTY IS EFFECTIVE. IN NO EVENT WILL THE MANUFACTURER BE LIABLE FOR CONSEQUENTIAL, SPECIAL, INCIDENTAL, INDIRECT, “BUSINESS LOSS”, AND/OR PUNITIVE DAMAGES, LOSSES, OR EXPENSES, INCLUDING WITHOUT LIMITATION TIME AWAY FROM WORK, HOTELS AND/OR RESTAURANT MEALS, REMODELLING EXPENSES IN EXCESS OF DIRECT DAMAGES WHICH ARE DEFINITELY CAUSED EXCLUSIVELY BY Thermador, OR OTHERWISE. SOME STATES DO NOT ALLOW THE EXCLUSION OR LIMITATION OF INCIDENTAL OR CONSEQUENTIAL DAMAGES, AND SOME STATES DO NOT ALLOW LIMITATIONS ON HOW LONG AN IMPLIED WARRANTY LASTS, SO THE ABOVE LIMITATIONS MAY NOT APPLY TO YOU. THIS WARRANTY GIVES YOU SPECIFIC LEGAL RIGHTS, AND YOU MAY ALSO HAVE OTHER RIGHTS WHICH VARY FROM STATE TO STATE.** No attempt to alter, modify or amend this warranty shall be effective unless authorized in writing by an officer of BSH.

**How to Obtain Warranty Service:** To obtain warranty service for your Product, you should contact the nearest Thermador [800-735-4328] authorized service center.

BSH Home Appliances - 5551 McFadden Avenue, Huntington Beach, CA 92649 / 800-735 -4328





Message spécial à nos clients,

Merci d'avoir acheté une hotte Thermador, fabriquée par BSH Home Appliances Corporation.  
Prendre le temps de lire et de comprendre le guide avant d'utiliser ce nouvel appareil.

Nous espérons que l'information contenue dans ce guide vous permettra de faire fonctionner et d'entretenir facilement cette hotte.

Pour toute question ou tout commentaire, communiquer avec nous. Notre adresse et numéro de téléphone sont donnés à la dernière page de chaque section dans ce guide.

## TABLE DES MATIÈRES

Information de sécurité importante .....	3
Fonctionnement – utilisation des contrôles .....	4
Entretien, nettoyage et service .....	6
Service à la clientèle, garantie .....	8

# INSTRUCTIONS DE SÉCURITÉ IMPORTANTES

Conserver ce guide à des fins de références.

## AVERTISSEMENT

AFIN DE RÉDUIRE LES RISQUES D'INCENDIE ET DE CHOCS ÉLECTRIQUES OU DE BLESSURES, PRENDRE CES PRÉCAUTIONS :

1. Utiliser seulement comme prévu par le fabricant. S'il y a des questions, communiquer avec le fabricant (800-735-4328).
2. Avant d'effectuer un service ou de nettoyer l'appareil, fermer l'alimentation au panneau de service et le verrouiller. Ceci évitera une alimentation si l'interrupteur est accidentellement actionné. Si le panneau de service ne peut être verrouillé, apposer de façon sécuritaire un avertissement comme une étiquette sur le panneau de service.

## AVERTISSEMENT

POUR L'UTILISATION D'UNE VENTILATION GÉNÉRALE SEULEMENT. NE PAS VENTILER DES MATÉRIAUX OU VAPEURS EXPLOSIFS OU HASARDEUX.

## AVERTISSEMENT

POUR RÉDUIRE TOUT RISQUE DE FEU DE GRAISSE SUR LA SURFACE DE CUISSON.

1. Ne jamais laisser la plaque de cuisson sans surveillance lorsqu'elle est utilisée. Les déversements peuvent causer de la fumée et les déversements de graisse peuvent causer un incendie. Chauffer l'huile lentement à de basses ou moyennes températures.
2. Toujours régler la hotte en position ON lorsque l'on cuisine à haute température ou que l'on flambe des aliments.
3. Nettoyer le ventilateur fréquemment. La graisse ne doit pas s'accumuler sur le ventilateur et le filtre.
4. Utiliser des casseroles de dimension appropriée à la surface des éléments.

## AVERTISSEMENT

AFIN DE RÉDUIRE TOUT RISQUE DE BLESSURE DANS LE CAS D'UN FEU DE GRAISSE, OBSERVER CE QUI SUIT :

- a) ÉTOUFFER LES FLAMMES avec un couvercle bien ajusté, une plaque à biscuits ou autre plateau en métal. Fermer le brûleur à gaz ou l'élément électrique. ATTENTION À NE PAS SE BRÛLER. Si les flammes ne s'éteignent pas immédiatement, ÉVACUER ET TÉLÉPHONER AU SERVICE D'INCENDIE.
- b) NE JAMAIS PRENDRE UNE CASSEROLE EN FEU, il peut en résulter des brûlures.
- c) NE PAS UTILISER D'EAU, incluant des serviettes ou des chiffons mouillés, car cela peut causer une violente explosion de vapeur.
- d) Utiliser un extincteur **SEULEMENT** si :
  - 1) Si l'on possède un extincteur de classe ABC et que l'on sait comment s'en servir.
  - 2) Le feu est moins important et est restreint à la zone où il a commencé.
  - 3) Le service des incendies a été appelé.
  - 4) L'on peut combattre le feu en ayant le dos vers une sortie.

# FONCTIONNEMENT DE LA HOTTE

La soufflerie doit être en circuit pendant au moins 5 minutes **avant** la cuisson afin d'établir la ventilation sous la hotte. Ainsi, la chaleur, la fumée, la vapeur, la graisse et les odeurs de cuisson s'évacuent au lieu de rester dans les pièces. Utiliser une vitesse plus basse pour une utilisation normale et plus élevée pour les odeurs fortes et la fumée.

Des courants d'air au-dessus de la plaque de cuisson réduisent l'effet de la hotte. Ceci devra être évité lorsque possible.

La meilleure ventilation dans la cuisine s'effectue lorsque seuls les courants d'air sont ceux créés par la soufflerie.

## Panneau de contrôle pour hotte

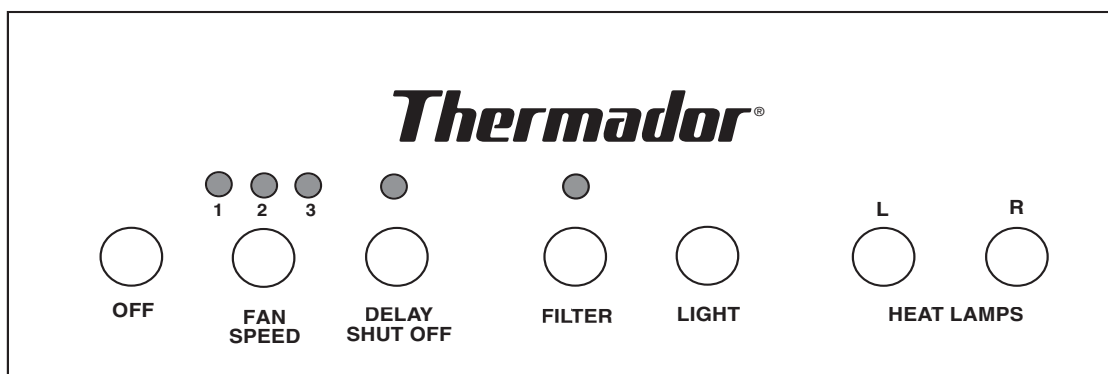


Figure 1

**Remarque :** Les hottes murales de gamme PH sont dotées de lampes chauffantes.

# TOUCHES DE CONTRÔLE DE LA HOTTE

## Arrêt (Off)

Presser la touche une fois pour fermer le ventilateur et remettre le contrôle.

## Vitesse du ventilateur

Presser la touche une fois depuis la position arrêt pour régler le ventilateur en position «bas». Chaque pression successive augmente la vitesse du ventilateur jusqu'à la plus haute vitesse et le cycle de vitesse retourne à la basse vitesse.

- Le voyant LED indique la vitesse du ventilateur. Lorsque le ventilateur est en circuit, le voyant correspondant s'allume.
  - 1 – Bas
  - 2 – Moyen
  - 3 – Élevé

## Arrêt différé

- Presser pour mettre le ventilateur en marche pendant 10 minutes.

Si le ventilateur est hors circuit lorsque la touche différée est pressée, le ventilateur fonctionne à haute vitesse pendant 10 minutes. À la fin du cycle, le ventilateur s'arrête.

Si le ventilateur est en circuit lorsque la touche différée est pressée, le ventilateur fonctionne à vitesse normale pendant 10 minutes. À la fin du cycle, le ventilateur s'arrête.

- Pendant un certain temps, le voyant LED au-dessus de la touche arrêt différé s'allume.
- Pour interrompre le cycle, presser la touche de vitesse du ventilateur ou la touche arrêt.

## Rappel de nettoyage du filtre

Après 40 heures de fonctionnement, le voyant LED de rappel de nettoyage du filtre au-dessus de la touche s'allume et indique que le filtre a besoin d'être nettoyé. Pour remettre en fonction le cycle de 40 heures et éteindre le voyant, presser la touche pendant 3 secondes.

## Lumière On/Dim/Off

Cette touche contrôle l'éclairage halogène. La première pression allume la lumière, la seconde tamise la lumière et la troisième ferme la lumière.

## Réchaud

Les touches marquées «L» et «R» contrôlent indépendamment les ampoules réchaud à infrarouge gauche et droite en mettant les ampoules en circuit et hors circuit.

## Capteur de chaleur

**Remarque** : le capteur de chaleur indiqué ci-dessous n'est pas disponible lorsque la hotte est installée avec la télécommande.

La hotte est équipée d'un capteur de chaleur qui actionne la soufflerie à basse vitesse lorsqu'une température excessive survient au-dessus de la surface de cuisson.

1. Si la soufflerie est hors circuit - elle s'actionne à basse vitesse.
2. Si la soufflerie est en circuit à une vitesse sélectionnée, la vitesse ne change pas.

Lorsque le niveau de température redevient normal, la soufflerie retourne au réglage d'origine.

**Condition de température élevée** - Le capteur de température élevée protège la hotte des températures élevées qui pourraient endommager les composants. Le contrôle est réglé pour s'actionner à 161 °F (72 °C) et se rajuster à 140 °F (60 °C). Lorsque actionné, le ventilateur s'allume à bas niveau et le voyant LED correspondant clignote indiquant qu'il y a une condition de température élevée.

Lorsque le capteur de température élevée est activé, la vitesse de la soufflerie peut être changée ou fermée. Si la soufflerie est hors circuit, le voyant LED correspondant clignote. Les contrôles de lumière restent fonctionnels. Lorsque le capteur atteint 140 °F (60 °C), un rajustement s'effectue. Pendant le rajustement, le contrôle retourne à son fonctionnement d'origine avant la condition de haute température.

**Condition d'erreur du capteur de haute température** - Le circuit est doté d'une alarme indiquant que la protection du capteur de température ne fonctionne pas à cause d'un dommage au capteur. Dans le cas de cette condition extrême, les trois voyants LED de vitesse clignotent. Tous les contrôles sont fonctionnels sauf les indicateurs de vitesse.

# ENTRETIEN ET NETTOYAGE

## Nettoyage de la surface

- Pour un entretien général, essuyer l'extérieur en acier inoxydable avec une eau savonneuse ou un produit comme Fantastic® ou Formula 409®, bien rincer et assécher avec un chiffon doux et propre pour éviter les marques d'eau.
- Laver et essuyer l'acier inoxydable brossé dans la même direction que le grain. Éviter une pression trop forte, ce qui peut marquer la surface.
- Ne pas utiliser de produits abrasifs.
- Pour enlever les marques de doigts et donner un aspect lustré, utiliser des vaporisateurs tels Stainless Steel Magic® et Shimmer®.
- Ne pas laisser de produits nettoyants entrer en contact avec l'acier inoxydable trop longtemps.

L'utilisation de marques de commerce est destinée à indiquer un type de produit nettoyant. Ceci ne constitue pas un endossement. L'omission de toute marque de nettoyant n'implique pas le fait que le produit soit bon ou non. Plusieurs produits sont distribués localement et peuvent être offerts dans les marchés de la région. Il est impératif que tout produit soit utilisé conformément aux instructions de l'emballage.

## Nettoyage des filtres et godets

La hotte est dotée de filtres en aluminium, de godets à graisses et de panneaux latéraux amovibles. Ils doivent être nettoyés lorsque le voyant à filtre s'allume sur le panneau de contrôle ou lorsqu'il y a accumulation de graisse. Si utilisée au-dessus d'un gril, d'un wok ou autres, un nettoyage plus fréquent est requis.

### Retrait des filtres et godets à graisse :

- Mettre le ventilateur et les lumières hors circuit. S'assurer que les filtres sont froids et la graisse figée avant le retrait.
- Enlever dans l'ordre suivant :
  - 1. Filtres** - Commencer par les filtres du centre, pousser, puis tirer depuis le bas.
  - 2. Panneaux latéraux** - Enlever de la même façon que les filtres.
  - 3. Godets à graisse** - Soulever et tirer.
- Les filtres et les cuvettes de graisse peuvent être lavés à la main ou dans le lave-vaisselle. Les panneaux latéraux peuvent être lavés à l'eau chaude savonneuse et polis avec le nettoyant pour acier inoxydable.

Inverser la marche à suivre ci-dessus pour remettre le godet, les filtres et les panneaux latéraux.

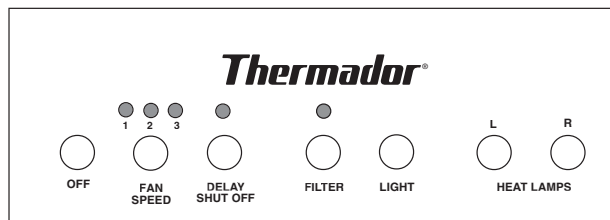


Figure 2

**Remarque :** Ne pas utiliser la plaque de cuisson pendant le démontage de la hotte. Les godets à graisse doivent être en place avant d'installer les filtres en aluminium.

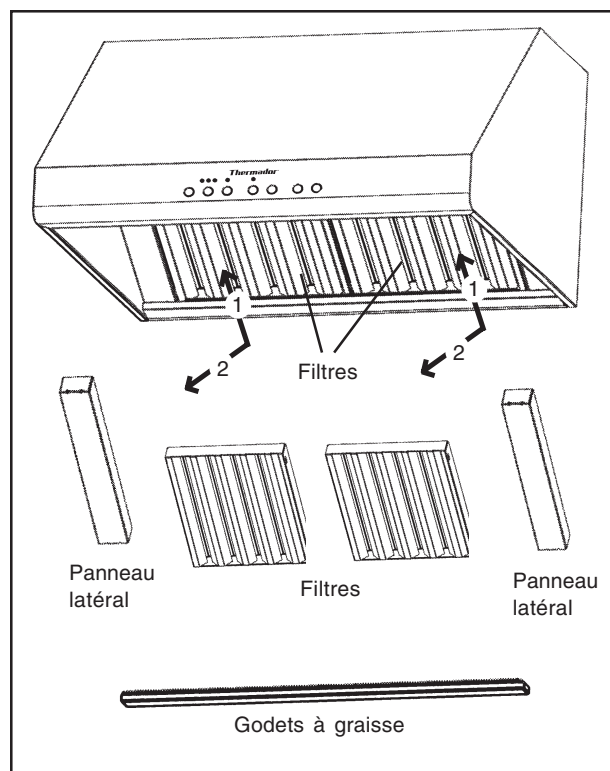


Figure 3

**Remarque :** Selon le modèle et la dimension de la hotte, il peut y avoir de 1 à 3 filtres par hotte.

# ENTRETIEN

## Éclairage

**REMARQUE :** Fermer l'éclairage et le ventilateur. Laisser les ampoules refroidir avant d'y toucher. Si les nouvelles ampoules ne fonctionnent pas, s'assurer qu'elles sont bien insérées avant d'effectuer un appel de service.

## Remplacement de l'ampoule halogène

- Utiliser le plat d'une lame de tournevis ou un outil semblable; forcer délicatement le couvercle, tel qu'il est illustré à la figure 5.
- Enlever l'ampoule endommagée et la remplacer par une ampoule halogène de 12 volts, 20 watts (maximale) pour une base G-4. Suivre les directives sur l'emballage et ne pas toucher à la nouvelle ampoule avec les mains nues.
- Réinstaller l'ampoule et le couvercle.

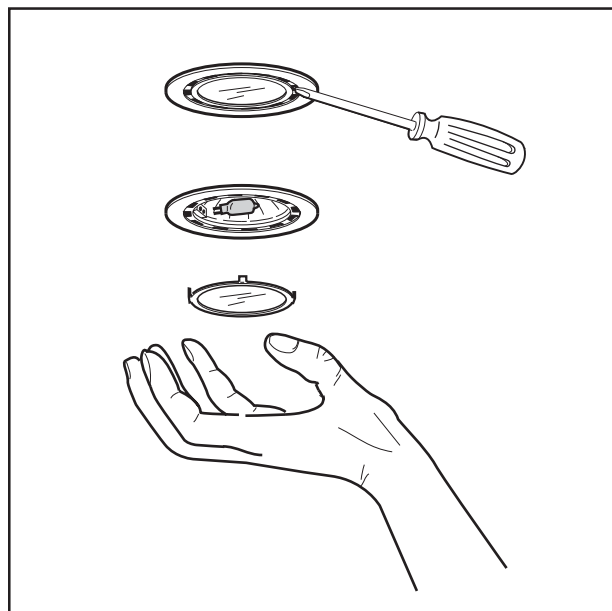


Figure 4

## Remplacement de l'ampoule réchaud

- Pour enlever l'ampoule réchaud, tourner dans le sens contraire des aiguilles d'une montre.
- Remplacer par une ampoule réchaud PAR-38 175W ou PAR-40 250W.

L'ampoule réchaud PAR-38 175W assure un joint bien étanche et produit une efficacité de chaleur semblable ainsi qu'une consommation réduite. Ces ampoules peuvent ne pas être disponibles chez les marchands locaux. L'ampoule chaleur PAR-40, 250 watts est disponible et peut être utilisée.

Pour commander les ampoules réchaud PAR-38 175 avec une carte de crédit, téléphoner :

- OpTechInc. 800-848-6624
- bulbs.com 888-455-2800 ou [www.bulbs.com](http://www.bulbs.com)

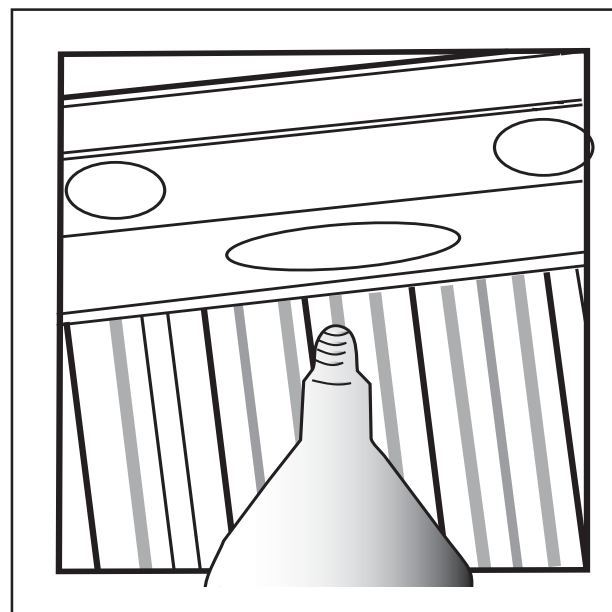


Figure 5



## ATTENTION

Ne pas toucher aux ampoules immédiatement après utilisation. Les ampoules restent chaudes pendant plusieurs minutes. Ne pas placer de matériaux inflammables sur les tablettes du réchaud.

## ÉNONCÉ DE GARANTIE LIMITÉE DU PRODUIT

Thermador

**Couverture de garantie et application :** la garantie limitée fournie par BSH Home Appliances « Thermador » dans cet énoncé de garantie de produit limitée s'applique seulement à Thermador (« produit ») vendu au premier acheteur utilisateur en autant que le produit ait été acheté (1) pour un usage normal domestique (non commercial) et est en fait, en tout temps, utilisé à des fins domestiques normales ; (2) neuf au détail (non comme produit en montre, tel quel ou un modèle retourné) et non pour la revente ou utilisation commerciale et (3) aux États-Unis ou au Canada et est demeuré en tout temps dans le pays d'achat d'origine. Les garanties énoncées dans la présente s'appliquent seulement au premier acheteur du produit et ne sont pas transférables.

S'assurer de retourner la carte d'enregistrement, quoiqu'elle n'est pas nécessaire pour la couverture de garantie, c'est la meilleure façon d'être avisé par Thermador dans l'éventualité d'un avis de service ou d'un rappel de produit.

**Durée de la garantie :** Thermador garantit que le produit ne présente pas de défaut de matériaux et de fabrication pendant une période de trois cent soixante (360) jours à compter de la date d'achat. La période débute à la date d'achat et ne sera pas retardée, prolongée, interrompue ni suspendue pour quelle que raison que ce soit.

**Réparation/remplacement comme solution exclusive :** pendant la période de garantie, Thermador ou un de ses centres de service autorisés réparera le produit sans frais (sujet à certaines limitations indiquées ci-dessous), si le produit est prouvé présenter, à la fabrication, un défaut de matériaux ou de fabrication. Si des tentatives raisonnables de réparer le produit ont été faites sans succès, alors Thermador remplacera le produit (modèle mis à jour pouvant être disponible), à la seule discrétion de Thermador, pour des frais additionnels). Toute pièce retirée et composant devient la propriété de Thermador. Toute pièce réparée et/ou remplacée doit assumer l'identité de la pièce d'origine à des fins de cette garantie et cette garantie ne sera pas prolongée en regard de telle pièce. La seule et unique responsabilité de Thermador est de réparer le produit présentant un défaut de fabrication seulement, par l'entremise d'un centre de service Thermador autorisé pendant les heures d'affaires normales. Pour la sécurité et les éventuels dommages à la propriété, Thermador recommande de ne pas tenter de réparer soi-même le produit ou d'utiliser un centre de service non autorisé. Thermador ne sera nullement tenu responsable des réparations ou services effectués par un centre de service non autorisé. Si l'utilisateur choisit de faire réparer le produit par une personne autre qu'un centre de service, **CETTE GARANTIE DEVIENT AUTOMATIQUEMENT NULLE ET NON AVENUE**. Les centres de service autorisés sont les personnes ou compagnies qui ont été spécialement formées pour les produits Thermador et qui, selon l'opinion de Thermador, ont une excellente réputation pour le service à la clientèle et la formation technique (il est à noter qu'elles sont des personnes indépendantes et *non* des agents, partenaires, affiliées ou représentants de Thermador. Nonobstant ce qui suit, Thermador ne sera pas tenu responsable pour un produit situé dans une région éloignée (plus de 100 miles d'un centre de service autorisé) ou raisonnablement inaccessible, dangereuse, hasardeuse ou autres ; dans une telle situation, si l'utilisateur le demande, Thermador paiera les frais de main-d'oeuvre et de pièce et expédiera les pièces au centre de service autorisé le plus près, mais l'utilisateur sera entièrement responsable de tout frais de déplacement ou autres frais encourus par la compagnie de service, en autant qu'elle accepte d'effectuer l'appel de service.

**Produit hors garantie :** Thermador n'est nullement tenu, par la loi ou autrement, d'offrir toute concession à l'utilisateur, incluant réparation, tarifs ou remplacement de produit, une fois que la garantie a expirée.

**Exclusions de la garantie :** la couverture de garantie décrite dans la présente exclut tout défaut ou dommage qui ne sont pas un défaut direct de Thermador, incluant sans limitation, un ou plusieurs de ce qui suit : (1) utilisation du produit à un usage autre que normal, habituel et de manière (incluant sans limitation, toute forme d'utilisation commerciale, utilisation ou entreposage d'un produit intérieur à l'extérieur, utilisation du produit de concert avec avion, bateau de toute sorte) ; (2) mauvaise conduite, négligence, mauvaise utilisation, abus, accidents, négligence, fonctionnement inadéquat par toute partie, manquement d'entretenir, installation inadéquate ou négligente, manipulation, manquement à l'observation des instructions de fonctionnement, mauvaise utilisation, service non autorisé (incluant réparation effectuée par l'utilisateur ou exploration du système interne de l'appareil) ; (3) réglage, modification ou altération de toute sorte ; (4) manquement à se conformer aux codes d'habitation et/ou de plomberie, électricité de l'état, provinciaux, locaux, municipaux, règlements ou lois, incluant le manquement à installer le produit de façon strictement conforme aux codes et règlements d'habitation et d'incendie ; (5) l'usure ordinaire, déversement d'aliments, liquides, accumulation de graisse ou autres substances pouvant s'accumuler sur, dans ou autour du produit et (7) tout facteur et/ou force externes, élémentaires et/ou environnementaux, incluant sans limitation, pluie, vent, sable, inondations, incendie, glissements de terrain, température très froide, humidité excessive ou exposition prolongée à l'humidité, foudre, surtension, panne structurelle autour de l'appareil, actes de Dieu. En aucun cas, Thermador ne sera tenu responsable de quelle que façon que ce soit pour les dommages à la propriété environnante, incluant armoires, plancher, plafond et autres structures ou objets autour du produit. Également exclus de cette garantie sont les égratignures, enfoncements mineurs, entailles et dommages esthétiques sur les surfaces externes et les pièces exposées. Les produits dont le numéro de série a été modifié, effacé ou enlevé ; les visites de service pour montrer comment utiliser l'appareil ou les visites lorsque le produit ne présente pas de problème, correction de problèmes d'installation (l'utilisateur est seul responsable de toute structure et tout réglage du produit incluant, électricité, plomberie, service utilitaire, robustesse du plancher et pour toute modification incluant sans limitation, armoire, murs, plancher, tablettes, etc.) ; et le réenclenchement de coupe-circuit ou fusible. SELON CE QUI EST PERMIS PAR LA LOI, CETTE GARANTIE ÉTABLIT DES SOLUTIONS EXCLUSIVES EN REGARD À CE PRODUIT, PAR RÉCLAMATION PAR CONTRAT OU TORT (INCLUANT STRICTE RESPONSABILITÉ OU NÉGLIGENCE) OU AUTRE. CETTE GARANTIE EST EN LIEU DE TOUTE AUTRE GARANTIE, EXPRESSE OU IMPLICITE, TOUTE GARANTIE IMPLICITE PAR LOI, POUR COMMERCIALISATION OU À DES BUTS PARTICULIERS, OU AUTRE, ET SERA EN VIGUEUR SEULEMENT POUR LA PÉRIODE EFFECTIVE DE LA GARANTIE LIMITÉE EXPRESSE. LE FABRICANT NE PEUT ÊTRE, EN AUCUN CAS, TENU RESPONSABLE POUR LES DOMMAGES ACCESSOIRES, SPÉCIAUX, INDIRECTS, DOMMAGES INTÉRÊTS, « PERTES D'AFFAIRES » ET/OU DOMMAGES PUNITIFS, PERTES OU DÉPENSES, INCLUANT SANS LIMITATION, PRISE DE CONGÉ DE TRAVAIL, REPAS À L'HÔTEL ET/OU RESTAURANT, FRAIS DE REMANIEMENT EN EXCÈS DE DOMMAGES DIRECTS CAUSÉS DÉFINITIVEMENT PAR Thermador OU AUTRE. CERTAINS ÉTATS/ PROVINCES NE PERMETTENT PAS L'EXCLUSION OU LA LIMITATION DES DOMMAGES ACCESSOIRES OU INDIRECTS ET CERTAINS ÉTATS/PROVINCES NE PERMETTENT PAS LA LIMITATION SUR LA DURÉE D'UNE GARANTIE IMPLICITE, PAR CONSÉQUENT, LES LIMITATIONS PEUVENT NE PAS S'APPLIQUER À L'UTILISATEUR. CETTE GARANTIE DONNE DES DROITS SPÉCIFIQUES LÉGAUX ET L'UTILISATEUR PEUVENT EN AVOIR D'AUTRES QUI VARIENT D'UN ÉTAT/PROVINCE À L'AUTRE. Aucune tentative de modifier, altérer ou amender cette garantie ne peut être effective à moins d'une autorisation écrite par un représentant de BSH.

**Service sous garantie :** pour obtenir un service sous garantie pour le produit, communiquer avec le centre de service autorisé Thermador (800.735.4328)

BSH Home Appliances, 5551 McFadden Avenue, Huntington Beach CA 92649 – 800.735.4328





Un mensaje especial para Nuestros Clientes,

Gracias por comprar una Campana Thermador, fabricada por BSH Home Appliances Corporation. Por favor, tómese el tiempo de leer y comprender este folleto completo antes de usar su aparato nuevo.

Esperemos que la información en este manual le ayudará a operar y cuidar su campana con mayor facilidad para obtener muchos años de satisfacción.

Si tiene algunas preguntas o comentarios, póngase en contacto con nosotros, por favor. Nuestro tratar y teléfono número aparecen en la última página de la sección de cada idioma en este folleto.

## CONTENIDO

Información Importante de Seguridad .....	3
Operación - Usando los Controles .....	4
Cuidado, Limpieza y Mantenimiento .....	6
Servicio al Cliente, Garantía .....	8

**Nota:** La Campana Thermador a que se refiere este manual fue .

# INSTRUCCIONES IMPORTANTE DE SEGURIDAD

Guarde este manual para consultarlo en el futuro.

## ATENCIÓN

PARA REDUCIR EL RIESGO DE UN INCENDIO, DESCARGA ELÉCTRICA O HERIDAS A PERSONAS, OBSERVE LO SIGUIENTE:

1. Utilice esta unidad sólo en la forma que el fabricante la diseñó. Si tiene alguna pregunta, contacte al fabricante (800/735-4328).
2. Antes de dar servicio o limpiar la unidad, apague la corriente en el panel de servicio y bloquee el panel de servicio. Esto evitará que se prenda la corriente accidentalmente. Cuando no es posible bloquear el panel de servicio, coloque un aviso bien visible, tal como una etiqueta al panel de servicio.

## ATENCIÓN

SÓLO PARA USO DE VENTILACIÓN GENERAL. PARA EVITAR UN FUEGO O EXPLOSIÓN NO LO UTILICE PARA EXHAUSTAR MATERIALES PELIGRO-SOS O EXPLOSIVOS O VAPOR.

## ATENCIÓN

PARA REDUCIR EL RIESGO DE UN INCENDIO DE GRASA.

1. Nunca deje las unidades superficiales sin atención cuando cocine a altas temperaturas. Los derrames pueden causar humo y los derrames grasosos se pueden encender. Caliente los aceites lentamente a bajo o mediano calor.
2. Siempre PRENDA la campana cuando cocine a altas temperaturas o al flamear alimentos.
3. Limpie los ventiladores frecuentemente. No se debe acumular grasa en el ventilador o el filtro.
4. Utilice ollas de tamaños adecuados. Siempre use utensilios de cocina apropiados para el tamaño de los elementos superficiales.

## ATENCIÓN

PARA REDUCIR EL RIESGO DE HERIDAS A PERSONAS DEBIDO A UN INCENDIO DE GRASA, OBSERVE LO SIGUIENTE:

- a) APAGUE LAS LLAMAS con una tapa ajustada, bandeja de horno u otra bandeja de metal, luego trate de apagar el quemador de gas. **TENGA CUIDADO Y EVITE QUEMADURAS.** Cuando las llamas no se apagan de inmediato, **EVACÚE EL LUGAR Y LLAME A LOS BOMBEROS.**
- b) **NUNCA LEVANTE UNA OLLA EN LLAMAS.** Se puede quemar.
- c) **NO UTILICE AGUA,** incluyendo trapos o toallas húmedas en incendios de grasa. Puede resultar una explosión violenta de vapor.
- d) Utilice un extinguidor **SÓLO** cuando:
  - 1) Usted sepa que tiene un extinguidor de fuego de la Clase ABC, y sabe cómo manejarlo.
  - 2) El incendio es pequeño y está contenido en el área donde comenzó.
  - 3) Se está llamando a los bomberos.
  - 4) Usted puede combatir el incendio teniendo una salida pos su espalda.

# OPERAR LA CAMPANA

Se debe prender el ventilador 5 minutos antes de cocinar para establecer las corrientes ascendentes de aire por la campana. Esto garantiza que al producirse calor, humo, humedad, grasa u olores de cocinar, éstos sean transportados hacia afuera en lugar de desplazarse a las otras habitaciones. Use las velocidades bajas para el uso normal y las velocidades más rápidas para fuertes olores y humos.

Las corrientes que pasan encima de la estufa reducirán la efectividad de la campana. Tales corrientes deben evitarse si es posible.

Se logra la mejor ventilación en la cocina donde las únicas corrientes de aire son aquellas creadas por el ventilador mismo.

## Panel de Control para las Campanas

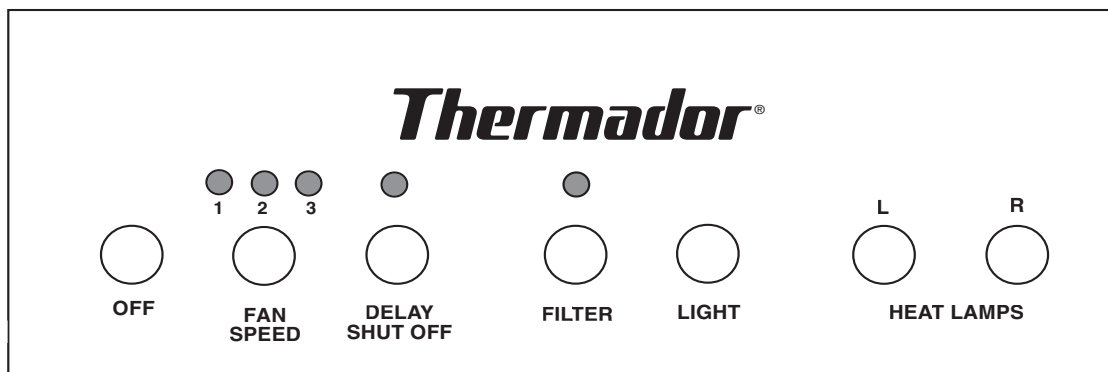


Figura 1

Note: Las Campanas de Pared de la Serie PH vienen con Lámparas de Calentamiento.

# BOTONES DE CONTROL DE LA CAMPANA

## Apagado

Presionar el botón una vez apaga el ventilador y reinicia el control.

## Velocidad del Ventilador

Presionar el botón una vez desde un estado de apagado, prende el ventilador a baja velocidad. Cada vez que usted presione el botón sucesivamente, se incrementa la velocidad del ventilador hasta la velocidad alta donde el ventilador regresa a la velocidad baja.

- Las LEDs arriba de este botón indican la velocidad actual del ventilador. Cuando el ventilador esté prendido, se ilumina la LED correspondiente.
  - 1 - Baja
  - 2 - Mediana
  - 3 - Alta

## Retraso para que se Apague

- Presione para prender el ventilador a alta velocidad por 10 minutos.

Cuando el ventilador esté apagado al presionar el botón de retraso, se prenderá el ventilador a la velocidad alta por 10 minutos. Al final del ciclo se apagará el ventilador.

Cuando el ventilador esté prendido al presionar el botón de retraso, funcionará a la velocidad actual por 10 minutos y luego se apaga.

- Durante un período de tiempo, la LED arriba del botón Retrasar Que Se Apague se iluminará.
- Para interrumpir un período de tiempo, presione el botón de Velocidad del Ventilador o Apagar.

## Recordatorio para Limpiar el Filtro

Después de 40 horas de operación se iluminará la LED del recordatorio para limpiar el filtro arriba de este botón, indicando que se deben limpiar los filtros. Cuando se ilumina este indicador, limpie los filtros como se indica en la página 6. Después de la limpieza, presione este botón por 3 segundos para reiniciar el período de 40 horas y apagar la LED.

## LUZ Encendida/Tenue/Apagada

Este botón controla la iluminación de halógeno. Presionarlo por primera vez prende las luces. Presionarlo por segunda vez atenúa las luces. Presionarlo por tercera vez apaga las luces.

## Lámpara de Calentamiento

Los botones marcados "L" ("I") y "R" ("D") controlan en forma independiente las lámparas infrarrojas de calentamiento a la izquierda y derecha, prendiendo y apagando las lámparas.

## Sensor Térmico

**Nota:** Las características del sensor térmico listadas abajo no están disponibles cuando se instala la campana con el accesorio del control remoto.

Su campana viene equipada con un sensor térmico que cambia el ventilador a la velocidad baja cuando haya un calor excesivo encima de las superficies para cocinar.

- Cuando el ventilador esté apagado - prende el ventilador a la velocidad baja.
- Cuando el ventilador esté prendido a alta velocidad, no ocurrirá ningún cambio de velocidad.

Cuando baja el nivel de la temperatura en la campana a normal, el ventilador regresa a su posición original.

**Condición de Sobre Temperatura** - El sensor de alta temperatura protege la campana de temperaturas altas que pueden dañar los componentes. El control está configurado a activarse a los 161° F (72° C) y reiniciarse a los 140° F (60° C). Cuando esté activado, el ventilador cambia a la velocidad baja y la LED correspondiente parpadea, indicando una condición de sobre temperatura.

Mientras que el sensor de alta temperatura esté activado, se puede cambiar o apagar la velocidad del ventilador. Cuando se apaga el ventilador, parpadea la LED correspondiente. Los controles de la Luz permanecen en estado operacional. Cuando el sensor de control alcanza los 140° F (60° C), ocurrirá una reinicialización. Durante esta fase, el control regresa al estado operacional antes de la condición de alta temperatura.

**Condición de Falla de Alta Temperatura** - El circuito viene equipado con una alarma indicando que la protección del sensor térmico no está funcionando, debido a un sensor dañado. En el caso de esta condición extrema, comienzan a parpadear las tres LEDs que indican la velocidad. Todos los controles permanecen en estado operacional excepto por los indicadores de la velocidad.

# CUIDADO Y LIMPIEZA

## Limpiar la Superficie de la Campana

- Limpie el exterior del acero inoxidable con agua jabonosa y detergentes caseros como Fantastic<sup>(R)</sup> o Formula 409<sup>(R)</sup>, enjuague bien y seque con un trapo suave para evitar las manchas de agua.
- Limpie y seque el acero inoxidable en la misma dirección del grano. No aplique demasiada presión, que podría dañar la superficie.
- No utilice productos abrasivos como fibra metálica.
- Para quitar las huellas digitales y darle un mayor brillo a la campana, utilice detergentes en aerosol como Stainless Steel Magic<sup>(R)</sup> y Shimmer<sup>(R)</sup>.
- No permita que los compuestos de limpieza tengan contacto con el acero inoxidable por períodos alargados.

El uso de algunas marcas comerciales sirve únicamente para indicar un tipo de limpiador. No constituye una recomendación. El hecho de omitir algún limpiador de marca no implica su aceptabilidad o su inaceptabilidad. Muchos productos son distribuidos en forma regional y están disponibles en los mercados locales. Es imprescindible usar todos los productos conforme a las instrucciones en el empaque.

## Limpiar los Filtros y Colectores

Su campana tiene paneles laterales, colectores de grasa y filtros de aluminio removibles. Cuando se ilumina la luz del filtro en el panel de control, o cada vez que recogen la grasa, se deben limpiar éstos. Cuando se usa la campana encima de un asador, wok u otra aplicación con alto contenido de grasa, puede que se requiera una limpieza más frecuente.

### Para Quitar los Filtros y Colectores de Grasa:

- Apague el ventilador y las lámparas. Asegúrese que los filtros estén fríos y que la grasa se haya solidificada antes de quitarlos.
- Debe quitarlos en el siguiente orden:
  - 1. Filtros** - Comience con los filtros centrales, empuja hacia arriba, luego jale hacia abajo.
  - 2. Paneles Laterales** - Quitelos igual que los filtros.
  - 3. Colectores de Grasa** - levántelos y sáquelos.
- Se pueden lavar los filtros y los colectores de grasa a mano o en la máquina para lavar trastes. Los paneles laterales pueden ser lavados con agua tibia jabonosa y se pueden pulir con un limpiador para acero inoxidable.

Reinvierta las instrucciones de arriba para volver a insertar el colector de grasa, los filtros y los paneles laterales.

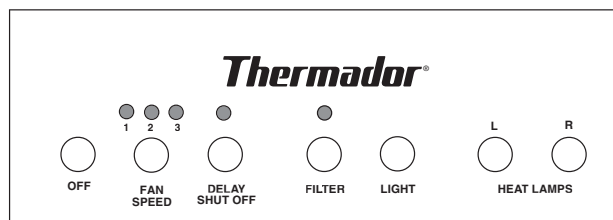


Figura 2

**Nota:** No utilice la estufa mientras que la campana esté desarmada. Los colectores de grasa deben estar instalados antes de poner los filtros de aluminio.

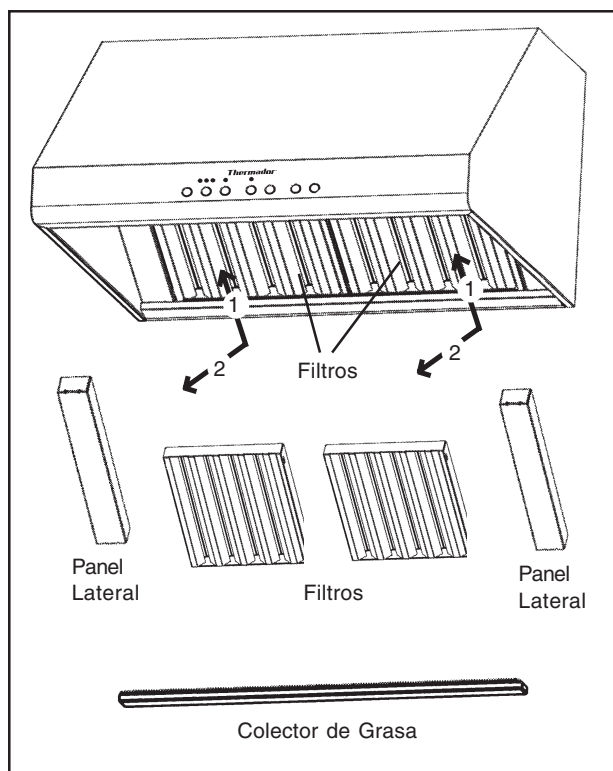


Figura 3

**Nota:** Dependiendo del tamaño y modelo de su campana, habrá de 1 a 3 filtros por campana.

# MANTENIMIENTO

## Lámparas

NOTA: Apague las lámparas y el ventilador. Permita que se enfríen las lámparas antes de manejarlas. Cuando lámparas nuevas no funcionan, asegúrese de haberlas insertado correctamente antes de solicitar servicio.

### Reemplazar la Lámpara de Halógeno

- Utilizando el borde plano de un desarmador o una herramienta similar, afloje la cubierta del lente como se indica en la Figura 5.
- Quite la lámpara dañada y reemplácela por una lámpara nueva de halógeno de 12 Volt, 20 Watt (máximo), hecha para una base G-4. Siga las instrucciones en el empaque y no toque las lámparas nuevas con sus dedos.
- Vuelva a instalar la lámpara y la cubierta.

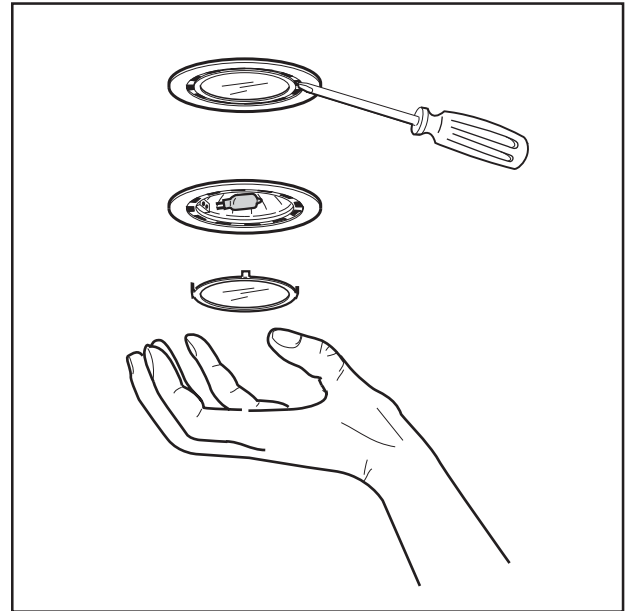


Figura 4

### Reemplazar la Lámpara de Calentamiento

- Gire la lámpara de calentamiento hacia la izquierda para quitarla.
- Reemplace la lámpara por una lámpara de calentamiento PAR-38 de 175W o PAR-40 de 250W.

La lámpara de calentamiento PAR-38 de 175W proporciona un mejor sello dentro de la caja y produce la misma cantidad de calor efectivo con un consumo menor de energía. Es posible que no se encuentren fácilmente estas lámparas en tiendas de artículos eléctricos locales. Es más fácil encontrar la lámpara de calentamiento PAR-40 de 250W y se puede usar a cambio.

PAR-38 175W heat lamps can be purchased through the following retailers:

- OpTech Inc. 800-848-6624
- bulbs.com: 888-455-2800 o [www.bulbs.com](http://www.bulbs.com)

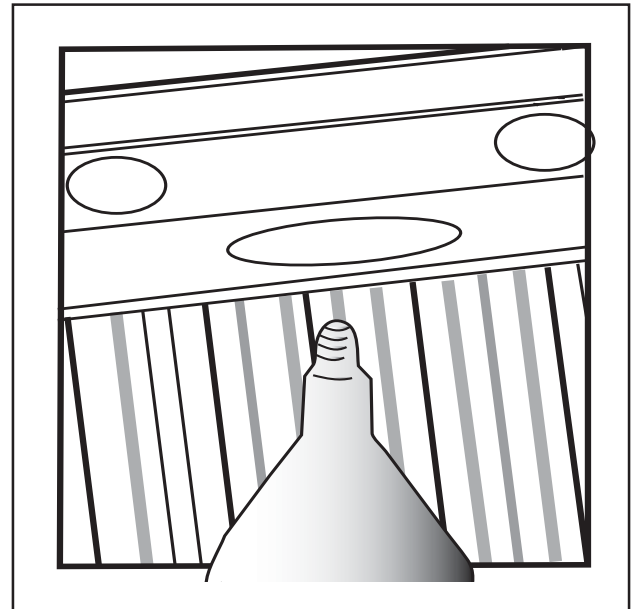


Figura 5

Es más fácil encontrar la lámpara de calentamiento PAR-40 de 250W y se puede usar a cambio.



## **CUIDADO**

Nunca toque los focos inmediatamente después de haberlos usado. Los focos se quedan calientes por varios minutos. Nunca coloque materiales altamente inflamables sobre placas calefactoras.

## **DECLARATORIA DE GARANTÍA LIMITADA DEL PRODUCTO**

Thermador

**Lo que esta garantía cubre y para quiénes aplica:** Las garantías ofrecidas por BSH Home Appliances "Thermador" en esta Declaratoria de Garantía Limitada aplican sólo al ("Producto") de Thermador que usted compró, el primer usuario comprador, siempre y cuando el Producto fue adquirido (1) para su uso casero normal (no comercial) y que en realidad ha sido utilizado siempre para propósitos domésticos normales; (2) nuevo en la tienda (no un equipo de exhibición, tal como es, o un modelo previamente devuelto) y no para la reventa o uso comercial; y (3) en los Estados Unidos o Canadá y que se encuentra en el país de la compra. Las garantías declaradas aquí aplican sólo al primer usuario comprador del Producto y no se pueden transferir.

Asegúrese por favor de devolver su tarjeta de registro; aunque no es necesario para efectuar la cobertura de la garantía, es la mejor manera para Thermador de notificarle a usted en el caso poco probable de un aviso de seguridad o una devolución del producto.

**Cuánto dura la garantía:** Thermador garantiza que el Producto está libre de defectos en materiales y mano de obra por un período de trescientos sesenta (360) días a partir de la fecha de compra. El tiempo mencionado arriba comienza a ejecutarse a partir de la fecha de compra y no se puede detener, estar sujeto a derechos, extender o suspender por ningún motivo.

**Reparación/reemplazo como su único remedio:** Durante el período de garantía, Thermador o uno de sus centros de servicio autorizados va a reparar su Producto sin costo alguno para usted (sujeto a ciertas limitaciones mencionadas aquí), si su Producto resulta defectuoso en materiales y fabricación. Si se hicieron intentos razonables para reparar el Producto sin éxito, entonces Thermador va a reemplazar su Producto (modelos más actuales pueden estar disponibles para usted, a discreción exclusiva de Thermador, con un cargo adicional). Todas las partes reemplazadas y/o reparadas asumirán la identidad de la parte original para los propósitos de esta garantía y esta garantía no se puede extender con respecto a tales partes. La única responsabilidad de Thermador bajo esta garantía es reparar el Producto defectuoso de fábrica usando un proveedor de servicio autorizado por Thermador durante horarios normales de trabajo. Por cuestión de seguridad y daños al producto, Thermador recomienda altamente que usted mismo no intente de reparar el Producto o de usar un centro de servicio no autorizado; Thermador no será responsable de reparaciones o trabajos realizados por un centro de servicio no autorizado. Si usted elige a alguien diferente que un proveedor de servicio autorizado para trabajar con su Producto, **ESTA GARANTÍA PERDERÁ AUTOMÁTICAMENTE SU VALIDEZ.** Proveedores de servicio autorizados son aquellas personas o empresas que han sido entrenados especialmente en productos de Thermador y quienes tienen, en opinión de Thermador, una excelente reputación para dar servicio al cliente y ofrecer servicios técnicos de gran calidad (Se trata de entidades independientes y no de agentes, socios, afiliados o representantes de Thermador). Thermador no será responsable para el Producto si está ubicado en un área remota (más de 100 millas (160 kilómetros) de un proveedor de servicio autorizado) o si está en un entorno o ambiente inaccesible, peligroso, amenazador o traicionero; en cualquier caso, si usted lo solicita, Thermador aún así pagaría la mano de obra y las partes y enviaría las partes al proveedor de servicio autorizado más cercano, pero usted tendría toda la responsabilidad de viajar y enfrentar los gastos especiales generados por la empresa de servicio, suponiendo que ésta acepta la visita para dar el servicio.

**Producto fuera de garantía:** Thermador no está obligado por la ley o de otra forma, de proporcionarle a usted alguna concesión, incluyendo reparaciones, prorratas, o el reemplazo del Producto, una vez que esta garantía haya llegado a su vencimiento.

**Exclusiones de la garantía:** La cobertura de la garantía que se describe aquí excluye todos los defectos o daños que no son la responsabilidad directa de Thermador, incluyendo sin limitación, uno o más de los siguientes puntos: (1) el uso del Producto en un modo diferente de su uso normal, usual e intencionado (incluyendo sin limitación cualquier forma de uso comercial, el uso o almacenamiento de un producto para interiores en el exterior, el uso del Producto junto con naves marítimas o aéreas); (2) el mal comportamiento intencional de cualquier parte, negligencia, mal uso, abuso, accidentes, descuido, operación incorrecta, falta de mantenimiento, instalación incorrecta o negligente, manipulación, falta de observar las instrucciones de operación, mal manejo, servicio no autorizado (incluyendo "arreglos" hechos por usted mismo o explorar el funcionamiento interno del aparato); (4) ajustes o alteraciones o modificaciones de cualquier tipo, (5) la falta de cumplir con los códigos, regulaciones o leyes eléctricas y/o de construcción estatales, locales y municipales que pueden aplicar, incluyendo la falta de instalar el producto conforme a los códigos y las regulaciones locales de fuego y construcción; (6) el desgaste normal, derrames de alimentos o líquidos, acumulaciones de grasa u otras sustancias acumuladas sobre, en o alrededor del Producto y (7) fuerzas y factores externos, elementales y ambientales, incluyendo sin limitación, lluvia, viento, arena, inundaciones, fuegos, deslizamiento de lodo, temperaturas bajo cero, exceso de humedad o exposición extendida a humedad, relámpagos, sobretensiones, fallas estructurales alrededor del aparato y casos fortuitos. Por ningún motivo Thermador será responsable de daños a la propiedad cercana al aparato, incluyendo gabinetes, pisos, techos y otras estructuras u objetos que rodean el Producto. También se excluyen de esta garantía raspaduras, hendiduras, abolladuras ligeras y daños cosméticos en superficies externas y partes expuestas; Productos donde se alteró, se desfiguró o se quitó el número de serie; visitas de servicio para enseñarle como usar el Producto, o visitas donde no hay nada malo con el Producto; la corrección de problemas de la instalación (usted es el único responsable de cualquier estructura y entorno para el producto, incluyendo todas las instalaciones eléctricas, hidráulicas u otras conexiones, para una cimentación/pisos adecuados y para alteraciones incluyendo sin limitación gabinetes, paredes, pisos, estantes, etc.); y para poner o reemplazar cortacircuitos o fusibles. **AL GRADO PERMITIDO POR LA LEY, ESTA GARANTÍA ESTABLECE SUS REMEDIOS EXCLUSIVOS CON RESPECTO AL PRODUCTO, SIN IMPORTAR SI LA RECLAMACIÓN SURGE EN CONTRATO O AGRAVIO (INCLUYENDO LA RESPONSABILIDAD ESTRUCTIVA, O NEGLIGENCIA). ESTA GARANTÍA SUSTITUYE TODAS LAS OTRAS GARANTÍAS EXPRESAS O IMPLÍCITAS. CUALQUIER GARANTÍA IMPLICADA POR LA LEY, YA SEA DE COMERCIALIZACIÓN O APTITUD PARA ALGÚN PROPÓSITO PARTICULAR, SERÁ EFECTIVA SOLAMENTE POR EL PERÍODO EFECTIVO EXPRESADO EN ESTA GARANTÍA. BAJO NINGÚN MOTIVO EL FABRICANTE SERÁ RESPONSABLE DE DAÑOS CONSECUCIONALES, ESPECIALES, INCIDENTALES, INDIRECTOS, LA "PÉRDIDA DE NEGOCIO" Y/O DAÑOS PUNITIVOS, PÉRDIDAS, O GASTOS, INCLUYENDO SIN LIMITACIÓN EL TIEMPO AUSENTE DEL TRABAJO, HOTELES Y/O COMIDAS EN RESTAURANTES, GASTOS DE REMODELACIÓN EN EXCESO DE LOS DAÑOS DIRECTOS QUE FUERON CAUSADOS DEFINITIVAMENTE POR THERMADOR, O DE OTRA FORMA. ALGUNOS ESTADOS NO PERMITEN LA EXCLUSIÓN O LIMITACIÓN DE DAÑOS INCIDENTALES O CONSECUCIONALES, Y ALGUNOS ESTADOS TAMPOCO PERMITEN LIMITAR LA DURACIÓN DEL PERÍODO DE TIEMPO DE UNA GARANTÍA IMPLICADA, DE MODO QUE LAS LIMITACIONES MENCIONADAS ARRIBA TAL VEZ NO APLICAN PARA USTED. ESTA GARANTÍA LE OTORGA DERECHOS ESPECÍFICOS, Y USTED PUEDE TENER TAMBIÉN OTROS DERECHOS QUE VARIAN DE ESTADO A ESTADO.** Ningún intento de alterar, modificar o enmendar esta garantía será efectivo a menos que haya sido autorizado por escrito por un ejecutivo de BSH.

**Cómo obtener el servicio de garantía:** Para obtener el servicio de garantía para su producto, llame al centro de servicio autorizado de Thermador más cercano [800-735-4328].

BSH Home Appliances Corp.

5551 McFadden Avenue, Huntington Beach, CA 92649 • 1(800) 735-4328

ECO 5U014V • 9000165612 Rev. B • © 2006 BSH Home Appliances Corp. • Litho in USA 7/06