

IT	Libretto Istruzioni	2
GB	Instruction Manual	12
FR	Manuel d'Instructions	22
DE	Bedienungsanleitung	32
NL	Gebruiksaanwijzing	42

Arco Isola Plus



Dear Customer,

If you follow the recommendations contained in this Instruction Manual, your appliance will give you constant high performance and will remain efficient for many years to come.

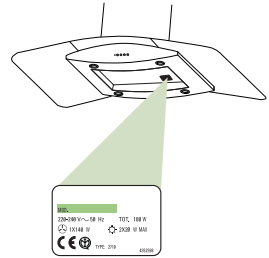
CONTENTS

RECOMMENDATIONS AND SUGGESTIONS	13
CHARACTERISTICS	14
INSTALLATION	16
USE	19
MAINTENANCE	20

RECOMMENDATIONS AND SUGGESTIONS

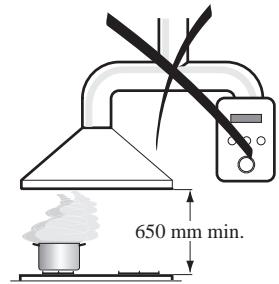
INSTALLATION

- The manufacturer will not be held liable for any damages resulting from incorrect or improper installation.
- The minimum safety distance between the cooker top and the extractor hood is 650 mm.
- Check that the mains voltage corresponds to that indicated on the rating plate fixed to the inside of the hood.
- For Class I appliances, check that the domestic power supply guarantees adequate earthing.
- Connect the extractor to the exhaust flue through a pipe of minimum diameter 120 mm. The route of the flue must be as short as possible.
- Do not connect the extractor hood to exhaust ducts carrying combustion fumes (boilers, fireplaces, etc.).
- If the extractor is used in conjunction with non-electrical appliances (e.g. gas burning appliances), a sufficient degree of aeration must be guaranteed in the room in order to prevent the backflow of exhaust gas. The kitchen must have an opening communicating directly with the open air in order to guarantee the entry of clean air.



USE

- The extractor hood has been designed exclusively for domestic use to eliminate kitchen smells.
- Never use the hood for purposes other than for which it has been designed.
- Never leave high naked flames under the hood when it is in operation.
- Adjust the flame intensity to direct it onto the bottom of the pan only, making sure that it does not engulf the sides.
- Deep fat fryers must be continuously monitored during use: overheated oil can burst into flames.
- The hood should not be used by children or persons not instructed in its correct use.



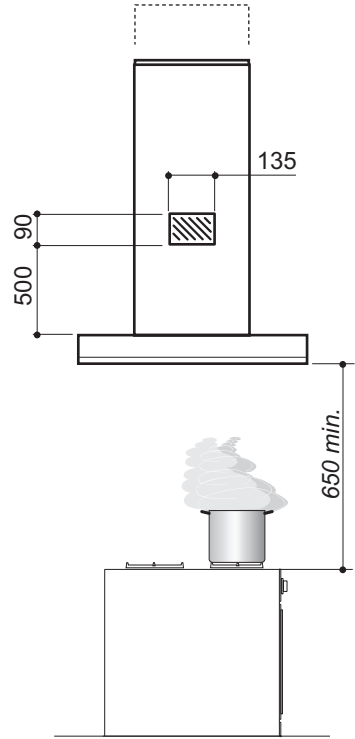
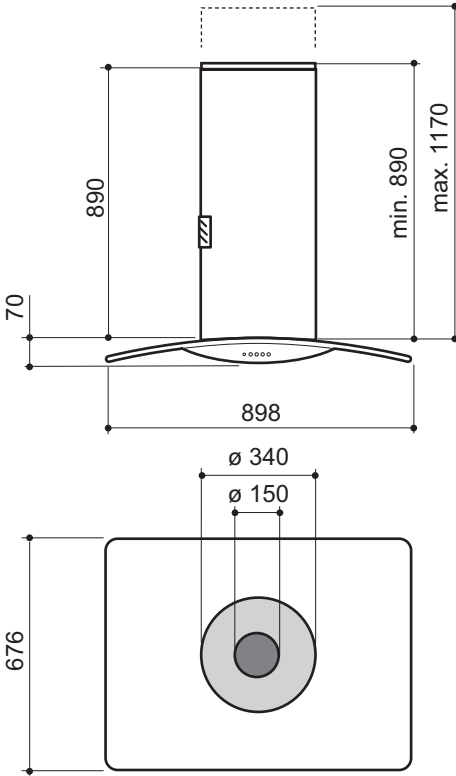
MAINTENANCE

- Switch off or unplug the appliance from the mains supply before carrying out any maintenance work.
- Clean and/or replace the Filters after the specified time period.
- Clean the hood using a damp cloth and a neutral liquid detergent.

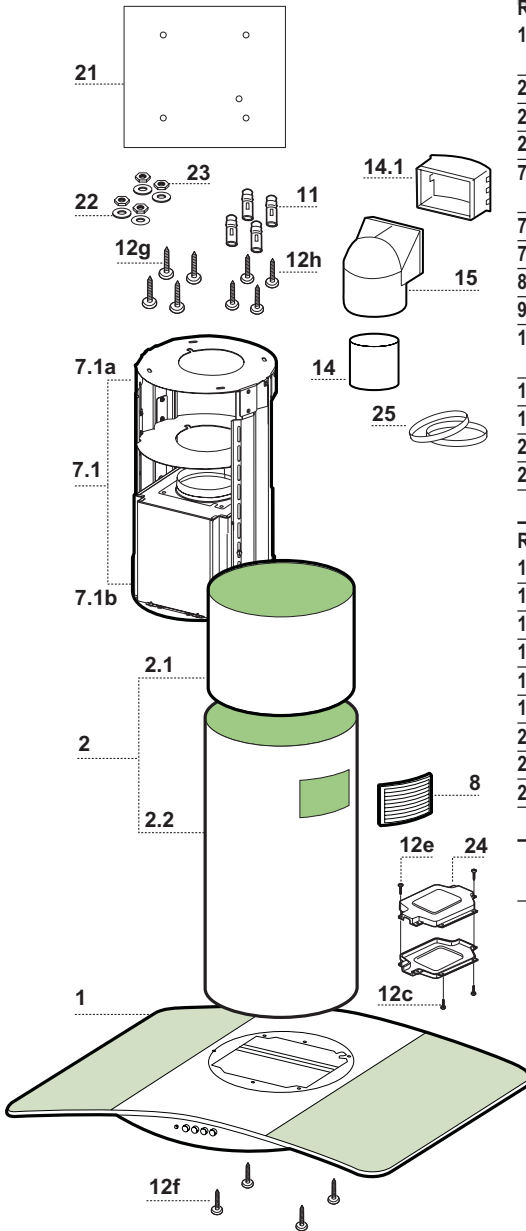


CHARACTERISTICS

Dimensions



Components



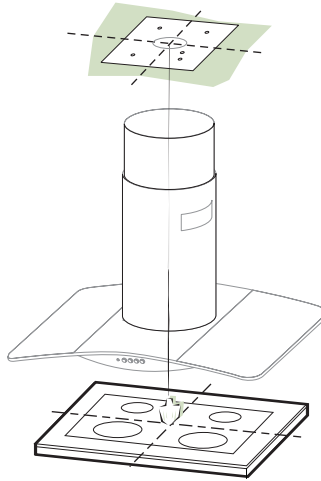
Ref.	Q.ty	Product Components
1	1	Hood Body, complete with: Controls, Light, Blower, Filters
2	1	Telescopic Chimney comprising:
2.1	1	Upper Section
2.2	1	Lower Section
7.1	1	Telescopic frame complete with extractor, consisting of:
7.1a	1	Upper frame
7.1b	1	Lower frame
8	1	Air Outlet Grill
9	1	Reducer Flange \varnothing 150-120 mm
14	1	Hood Body Air Outlet Extension Piece consisting of two Half Shells
14.1	1	Air Outlet Connection Extension
15	1	Air Outlet Connection
24	1	Junction box
25	2	Pipe clamps

Ref.	Q.ty	Installation Components
11	4	Wall Plugs \varnothing 10
12c	4	Screws 2,9 x 6,5
12e	2	Screws 2,9 x 9,5
12f	4	Screws M6 x 10
12g	4	Screws M6 x 80
12h	4	Screws 5,2 x 70
21	1	Drilling template
22	4	6.4 mm int. dia washers
23	4	M6 nuts

Q.ty	Documentation
1	Instruction Manual

INSTALLATION

Drilling the Ceiling/shelf and fixing the frame

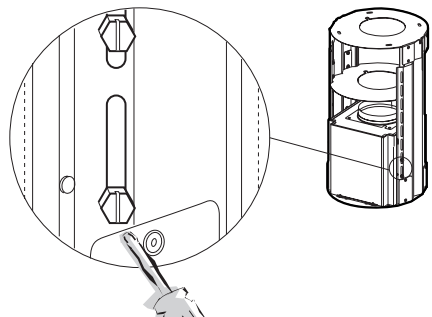


DRILLING THE CEILING/SHELF

- Use a plumb line to mark the centre of the hob on the ceiling/support shelf.
- Place the drilling template **21** provided on the ceiling/support shelf, making sure that the template is in the correct position by lining up the axes of the template with those of the hob.
- Mark the centres of the holes in the template.
- Drill the holes at the points marked:
 - For concrete ceilings, drill for plugs appropriate to the screw size.
 - For hollow brick ceilings with wall thickness of 20 mm: drill \varnothing 10 mm.
 - For wooden beam ceilings, drill according to the wood screws used.
 - For wooden shelf, drill \varnothing 7 mm.
 - For the power supply cable feed, drill \varnothing 10 mm.
 - For the air outlet (Ducted Version), drill according to the diameter of the external air exhaust duct connection.

FIXING THE FRAME

Before fixing, separate the Upper Section **2.1** and the Lower Section **2.2** from the Frame by unscrewing the screws **12c**, then separate the two sections of the frame by unscrewing the 6 side screws to obtain the Upper frame and Lower frame.



Upper frame

- Align the power supply cable feed hole
- Fix the upper frame to the ceiling or shelf using:
 - For concrete ceilings, use the appropriate plugs for the screw size (not provided).
 - For hollow brick ceilings of wall thickness of approximately 20 mm: use 4 plugs **11** and 4 screws **12h**, provided.
 - For wooden beam ceilings, use 4 wood screws (not provided).
 - For wooden shelf, use 4 screws **12g** with washers **22** and nuts **23**, provided.

Lower frame

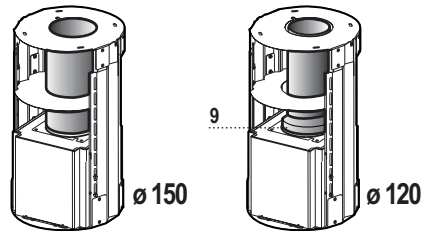
- Fix the lower frame using the 8 previously removed screws, adjusting the length according to the installation height (hood body lower fixing surface must be at least 720 mm from the hob).
- For the recirculation version, turn the frame in the direction chosen for the recirculated air outlet.
- The frame mountings must be secure to withstand the weight of the hood and any stresses caused by the occasional side thrust applied to the device. On completion, check that the base is stable, even if the frame is subjected to bending.
- In all cases where the ceiling is not strong enough at the suspension point, the installer must provide strengthening using suitable plates and backing pieces anchored to the structurally sound parts.

Connections

DUCTED VERSION AIR EXHAUST SYSTEM

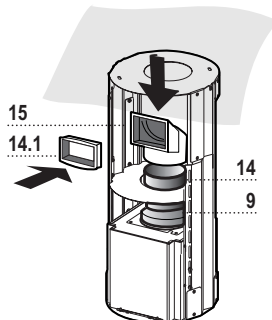
When installing the ducted version, connect the hood to the chimney using either a flexible or rigid pipe \varnothing 150 or 120 mm, the choice of which is left to the installer.

- To install a \varnothing 120 mm air exhaust connection, insert the reducer flange **9** on the hood body outlet.
- Fix the pipe using the pipe clamps **25** provided.
- Remove any activated charcoal filters.



RECIRCULATION VERSION AIR OUTLET

- Insert reducer flange **9** on the extractor outlet.
- Push fit the extension piece **14** onto the flange.
- Push fit connector **15** onto the extension piece.
- Insert extension piece/connector **14.1** laterally on connector **15**, ensuring that the outlet is in line with the chimney intake.

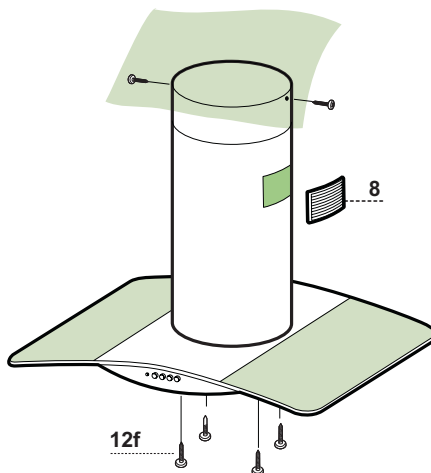


Flue assembly - Mounting the hood body

- Position the upper chimney section and fix the upper part to the frame using the 2 screws **12c** provided.
- Fit the lower chimney section onto the frame, holding it in place until the hood body has been fixed in place.

Recirculation version

- Make sure that the outlet of the extension piece **14.1** is horizontally and vertically aligned with the chimney outlet.
- If this is not the case, remove the lower chimney section and adjust the position by cutting the hood body extension **14** along one of the thinner section channels denoting the pre-fixed lengths, then reassemble as described previously.

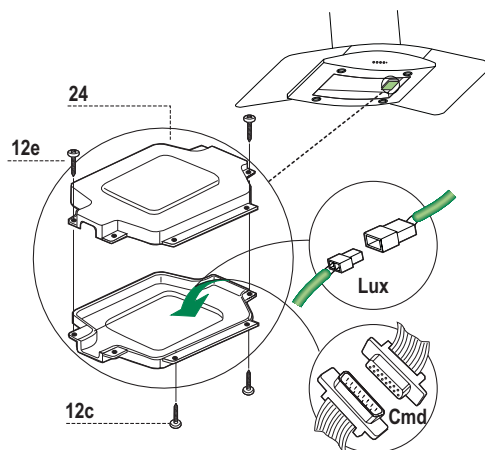


Before fixing the hood body to the frame:

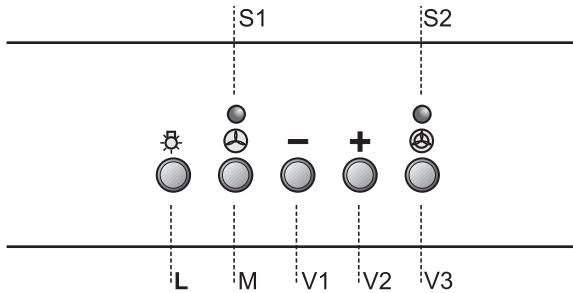
- Remove the grease filters from the hood body;
- Remove any activated charcoal filters.
- From below, use the 4 screws **12f** provided to fix the hood body to the frame.
- For the recirculation version, locate the directional grill **8** in its housing. Ensure that it is inserted correctly in connector **15**.



ELECTRICAL CONNECTION

- Connect the hood to the mains through a two-pole switch having a contact gap of at least 3 mm.
- Connect the control connector **Cmd**.
- Connect the lights connector **Lux**.
- Place the connectors in the junction box 24 and close it using the 2 screws 12e (2,9 x 9,5) provided.
- Fix the junction box to the hood body using the 2 screws 12c (2,9 x 6,5) provided.
- For the recirculation version, fit the activated carbon odour filter.
- Replace the grease filters.



Control panel



L	Light	Switches the lighting system on and off.
S1	Led	Motor running led. Flashes when the grease filters are saturated.
S2	Led	Intensive speed led. Flashes when the activated carbon odour filters are exhausted.
M	Motor	Switches the extractor motor on and off at low speed. Used to provide a continuous and silent air change in the presence of light cooking vapours.
		When the Hood is in ELC (Electronic Comfort) mode, the button will not only turn the Ducting motor on, but will also disable this function.
V1	Speed	Reduces the operating speed.
		When the button is pressed with the Motor off, ELC (Electronic Comfort) mode will be enabled again, giving a continuous, low noise flow of air. Press the button and hold it until Led S1 flashes slowly.
V2	Speed	Increases the operating speed.
V3	Intensive speed	Maximum speed, used for eliminating the highest cooking vapour emission. Switches off automatically after 10 minutes operation. Can also be switched off manually by pressing the button.

Grease filters

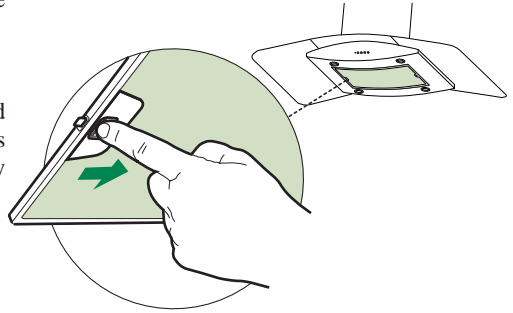
CLEANING METAL SELF-SUPPORTING GREASE FILTERS

Alarm signal reset

- Switch off the lights and extractor motor.
- Press button **V3** for at least 3 seconds, until the leds start to flash.

Cleaning the filters

- The filters are washable and must be cleaned when led **S1** flashes or at least every 2 months of operation, or more frequently for particularly heavy usage.
- Remove the filters one at a time by pushing them towards the back of the group and pulling down at the same time.
- Wash the filters, taking care not to bend them. Allow them to dry before refitting.
- When refitting the filters, make sure that the handle is visible on the outside.



Activated charcoal filter (Recirculation version)

REPLACING THE ACTIVATED CHARCOAL FILTER

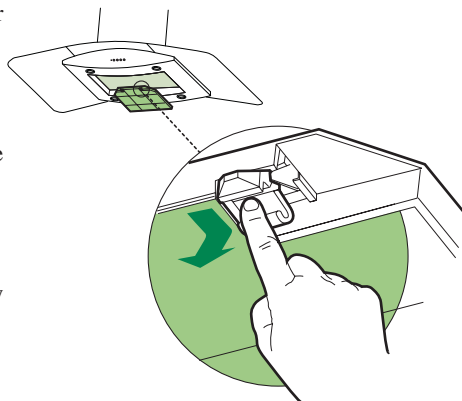
- The filter is not washable and cannot be regenerated. It must be replaced when led **S2** flashes or at least every 4 months. The alarm signal will only light up when the extractor motor is switched on.

Alarm signal reset

- Switch off the lights and extractor motor.
- Press button **V3** for at least 3 seconds, until the leds start to flash.

Replacing the Filter

- Remove the metal grease filters
- Remove the saturated activated carbon filter by releasing the fixing hooks
- Fit the new filter by hooking it into its seating
- Replace the metal grease filters.



Alarm signal activation

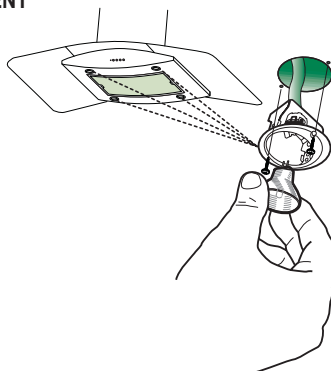
- On the recirculation version extractor hood, the filter saturation alarm is activated during installation or at a later date.
- Switch off the lights and extractor motor.
- Press button **V3** for at least 10 seconds, until the leds start to flash:
- 2 flashes of the activated carbon odour filter saturation alarm led = filter **ACTIVATED**
- 1 flash of the activated carbon odour filter saturation alarm led = filter **DEACTIVATED**

Lighting

LIGHT REPLACEMENT

20 W halogen light.

- Remove the 2 screws fixing the ring nut.
- Extract the lamp from the lamp holder by pulling gently.
- Replace with another of the same type, making sure that the two pins are properly inserted in the lamp holder socket holes.
- Replace the ring nut and fix it in place using the two screws removed as above.





Quest'apparecchio è conforme alla norma europea sulla bassa tensione C.E.E. 73/23 relativa alla sicurezza elettrica e alle norme europee: C.E.E. 89/336 relativa alla compatibilità elettromagnetica e C.E.E. 93/68 relativa alla marcatura CE.

This appliance conforms to European Low Voltage Directive 75/23/CEE governing electrical safety, European Directive 89/336/CEE on Electromagnetic Compatibility and Directive 93/68/CEE regarding CE Marking.

Cet appareil est conforme à la norme européenne en matière de basse tension C.E.E. 73/23 de sécurité électrique ainsi qu'aux normes européennes : C.E.E. 89/336 en matière de compatibilité électromagnétique et C.E.E. 93/68 en matière de label CE.

Dieses Gerät entspricht folgenden EG-Richtlinien: Niederspannungsrichtlinie EWG 73/23 hinsichtlich elektrischer Sicherheit, Richtlinie Elektromagnetische Verträglichkeit EWG 89/336 und Richtlinie EWG 93/68 hinsichtlich der CE-Kennzeichnung.

Dit apparaat voldoet aan de Europese laagspanningsnorm 73/23/EEG inzake de elektrische veiligheid en de Europese normen: 89/336/EEG inzake de elektromagnetische compatibiliteit en 93/68/EEG inzake de CE-markering.