

INSTALLATION INSTRUCTIONS

CARE AND USE MANUAL FOR:

CLASSICAL WALL RANGE HOODS



Models covered by these instructions:
SU1, SUE1, SU2, SU3, SUE3, SU4, SU5, SU7,
SU18, SU22, SU23, SU25, SU26, SU31, SU36, SU39

***** BEFORE INSTALLATION *****
ENSURE THERE IS NO VISIBLE OR HIDDEN DAMAGE SUSTAINED
DURING SHIPPING

***** SHIPPING DAMAGE *****
MUST BE REPORTED WITHIN 5 DAYS OF RECEIPT



Telephone (Toll Free): 866.528.4987 Fax (Toll Free): 866.365.9204
www.siriushoods.com info@siriushoods.com

WARNINGS


Thank you for purchasing a Sirius Range Hood. Please read all the instructions in this manual before installing the appliance.

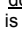
Save these instructions for future reference.

The appliance is not intended for use by young children or infirm persons without supervision. Young children should be supervised to ensure they do not play with the appliance. If the range hood is vented, the air so vented must be ducted into a dedicated duct that is not shared with any other equipment whatsoever. All ducting must conform to all requirements of the local authority.

If the range hood is to be used inside the same structure (home or building) as any equipment that burns combustible material such as oil, coal, gas, etc. then provision must be made for make up air. Under certain circumstances, the range hood could create a negative air pressure inside the structure. This negative air pressure must not exceed 0.04 mbar (please consult your local HVAC professional for guidance at this point).

The use of combustible material in close proximity of the range hood must be avoided. When frying, please pay particular attention to fire risk due to grease. Being highly inflammable, fried oil is especially dangerous. In order to avoid possible fire risk, all instructions for grease-filter cleaning and for removing eventual grease deposits must be followed strictly.

If the rating label in the cooker-hood shows the symbol , the appliance is built in class II° and it does not need any ground connection.

If the rating label in the cooker-hood does not show the symbol , the appliance is built in class I° and it needs the ground connection.

Only use this appliance as an exhaust ventilation system for the removal of cooking vapors. **DO NOT** use to expel flammable substances or any other materials or vapors.

The installation procedures in this manual are intended for qualified installers, service technicians or persons with similar qualified background. **DO NOT** attempt to install this appliance yourself.

When performing the electrical connections on the appliance, please ensure that the current supply is provided with ground connection and that the voltage values correspond to those indicated on the label placed inside the appliance itself.

Ensure that electrical power is turned off at source before commencing installation. All electrical wiring must be properly installed, insulated and grounded and conform to all applicable codes and standards.

Make sure all existing ductwork is clean of grease build up, or ductwork should be replaced, if necessary, to avoid the possibility of a grease fire. Check all joints on ductwork to ensure proper connection and all joints should be properly taped. Be careful when cutting through ceilings or walls not to damage any hidden pipes or electrical wiring. Ensure your kitchen has sufficient air return vents to replace the exhausted air.

TABLE OF CONTENTS

BEFORE YOU BEGIN	1
DUCTING	1
External Venting Requirements	1
Duct Run Calculation	1
ELECTRICAL	2
Electrical Supply	2
INSTALLATION	3
Positioning the Range Hood	3
Marking the Fixing Holes for the Range Hood	3
Fixing the Main Support Bracket	3
Chimney Installation	4
Hanging the Range Hood	4
Connecting Electricity and Ducting	5
Connecting Chimneys	5
Re-Circulating Requirements	6
OPERATING PROCEDURES	6
General Advice	6
Functions	7
MAINTENANCE	7
Cleaning the Filter	7
Cleaning the Hood	8
Light Bulb Replacement	8
WARRANTY	9

BEFORE YOU BEGIN

The manufacturer declines all responsibility in the event of failure to observe the instructions given here for installation, maintenance and suitable operation of the product. The manufacturer further declines all responsibility for injury due to negligence and the warranty of the unit automatically expires due to improper maintenance and/or installation.

BEFORE YOU BEGIN:
It is advisable to test run the range hood before installation.

Please read this entire manual and ensure that you are fully conversant with the requirements and limitations

DUCTING

(Not applicable if the range hood is used in re-circulating mode)

WARNING: *Do not vent this appliance into any other ductwork, spaces between walls, ceilings, attics, garages or any other confined space.*

External Venting Requirements

When planning new ductwork, always look for the most direct route to the outside. Venting can be done through the roof or directly through the back

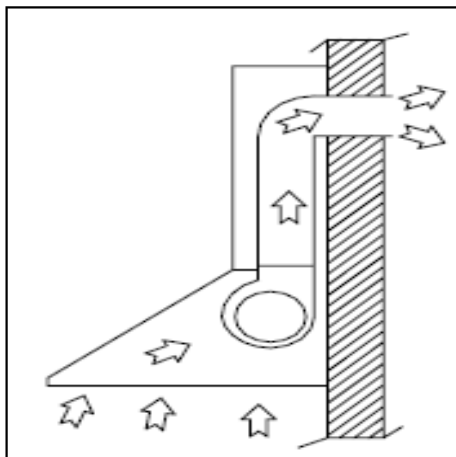


Figure 1

outside wall. (See Figure 1) Only use rigid type metal ducting (plastic ducting is generally not permitted by code). Flexible ducting could restrict airflow by up to 50%. Always fasten connections with sheet metal screws and tape all joints with certified Silver Tape or Duct Tape. **Do not use screws to fasten ductwork to the hood**, only use tape as the screws will stop the dampers from opening and your hood will not work. This hood requires a 6" round duct outlet. You can increase the duct size of the duct run but never decrease it.

Use the shortest and most direct route possible. Always, wherever possible, reduce the number of transitions and turns with as few sharp angles as possible. Two staggered 45 degree angles are better than one 90 degree. Make these turns as far away from the motor exhaust as possible, with as much space between each bend as possible.

Duct Run Calculation

The maximum duct run before effecting the performance of the

Maximum Run	
6" or 3 1/4 x 10" duct	100 FT
Deduct	
Each 90 elbow used	15FT
Each 45 elbow used	9FT
Each 6" or 3 1/4 x 10" duct	
Transition used	1FT
Each 3 1/4 x 10" to 6"	
Transition used	5FT
Side Wall with damper	30FT
Roof Cap	30FT

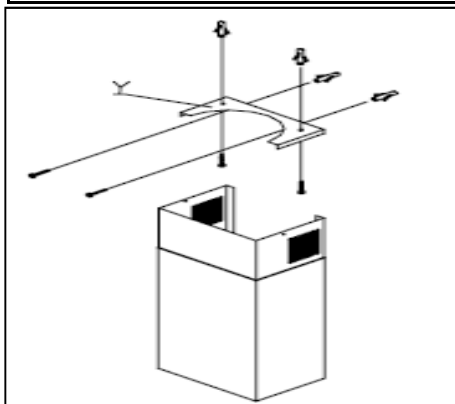


Figure 2

hood is 100'. Calculate your duct run by measuring linear feet and adding the elbows, transitions and caps based on the table alongside.

The ducting connection to the hood must be in line with the central vertical axis of the range hood 1" away from the back wall on which the hood is to be mounted.

The 1" is important to enable the ceiling bracket (as shown in Figure 2) to pass behind the ductwork servicing the range hood. Range hoods may interrupt the proper flow of combustion gases from fireplaces, gas furnaces and gas water heaters.

To minimize the risk of drawing these lethal gases back into the home, please follow the heating equipment manufacturers safety standards and guidelines carefully.

Refer to NFPA and ASHRAE for additional information.

ELECTRICAL

WARNING: All electrical work must be performed by a qualified electrician.

Please ensure that the appropriate electrical codes or prevailing local building codes and ordinances are adhered to.

Ensure that the electricity supply is disconnected at source. Do not use an extension cord or adapter plug with this appliance.

This appliance must be grounded. Connect to a properly grounded branch circuit, protected by a 15 amp circuit breaker.

Electrical Supply

This range hood requires a 120V, 60Hz supply and draws a maximum of 3 amps. The electrical supply to the range hood should be at least 17" from the underside of the installed range hood.

For a typical installation, where the underside of the range hood will be 30" above the counter top and the counter top is 36" above the floor level, the electrical supply should be 83" above floor level and no further than 3" to the right (as you face the wall) of the central axis of the range hood.

INSTALLATION

Positioning the Range Hood

Determine the center point of the range hood. This is generally the center of the range. Make a mark on the wall a minimum of 25" above the top of an electric range. If the range is gas, the ideal minimum should be 30".

Using a spirit level, draw a perfectly vertical line, starting at the center mark, right up to the ceiling or the highest point to where the hood will extend. This is the central axis for the range hood. Draw a horizontal line fractionally above where the bottom of the range hood will be positioned. This is the underside of the range hood.

Marking the Fixing Holes for the Range Hood

Find the marking template provided called the "Assembly Scheme". Place the template against the wall. Align the horizontal line on the wall with the horizontal line on the template (indicated by two heavy arrows). Now align the vertical line on the wall with the "Central Axis" line on the template.

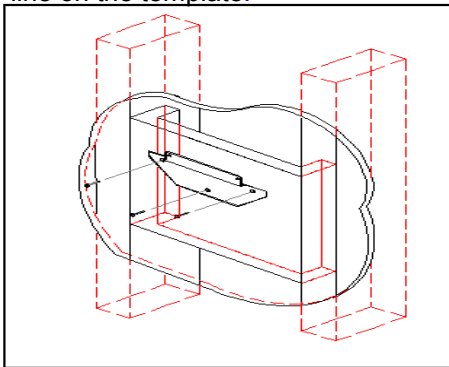


Figure 3

Gently tape the template to the wall making sure it has no creases or folds (use a tape that will not damage the wall finish). There are three hole positions shown for the wall bracket. Using a sharp object, mark the wall through the template at the center point of the three holes. Lower down on the template, you will see three sets of two holes. Only two of these holes refer to your model. Check which model you have and, using a sharp object, mark the two correct holes. These holes are used to anchor the range hood horizontally from inside the hood once it has been hung from the main bracket. Remove the template.

Fixing the Main Support Bracket

(CAUTION: Do not drill through any utilities inside the wall)

If the range hood will be fixed to drywall we strongly recommend that you discard the wall plugs and screws supplied. These anchors are only suitable for brick/masonry applications. We suggest the use of a more appropriate anchor system specifically designed for drywall applications. Wherever possible, it is advisable to place blocking between the studs, behind the drywall, to attach the support bracket to, (refer to Figure 3).

Drill the appropriate size holes at the marks made earlier and fix the Support Bracket ("S") securely to the wall. Ensure that any wall anchors have been fitted into

the lower two holes, as the range hood will cover these holes once hung on the Support Bracket ("S").

Chimney Installation

Locate the bracket (item Y) and position it with the vertical axis (marked on the wall earlier) running through the midpoint of bracket "Y". This bracket fits onto the ceiling and onto the wall to secure the upper half of the decorative chimney in place.

Mark the wall for the two anchors and mark the ceiling for the two anchors as indicated in Figure 2, (page 2).

Fix bracket "Y" to the wall and ceiling.

Hanging the Range Hood

Prepare the range hood for installation. Remove all filters to ensure they do not get damaged during the installation process. Hang the range hood on the bracket "S" (refer to Figure 4).

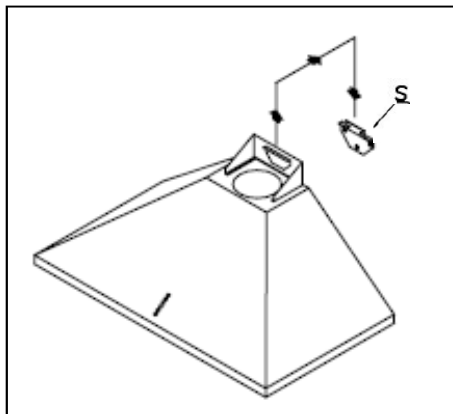


Figure 4

The bracket fixed onto the back of the range hood will drop into the channel on the top of bracket "S" on the wall. Ensure the hood is securely engaged into the support bracket - the range hood must clip in behind the extended lip on the Support Bracket ("S").

"Lock" the range hood onto the "S" bracket using the four machine screws supplied (refer to Figure 5).

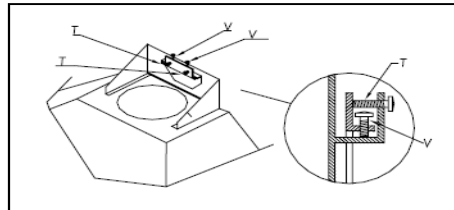


Figure 5

These screws are also used to make minor adjustments to the levelling of the range hood. Ensure the hood is level. Locate the two holes "C" inside the housing of the range hood and secure the range hood to the wall once the range hood is perfectly level and vertical. (refer to Figure 6)

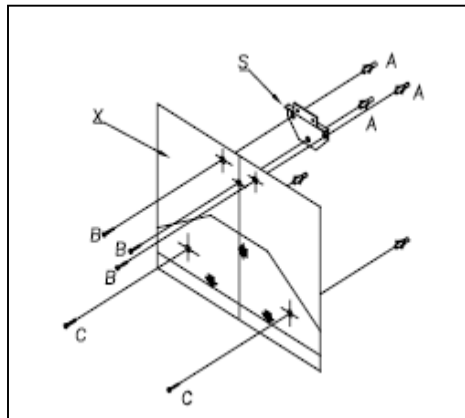


Figure 6

Connecting Electricity and Ducting

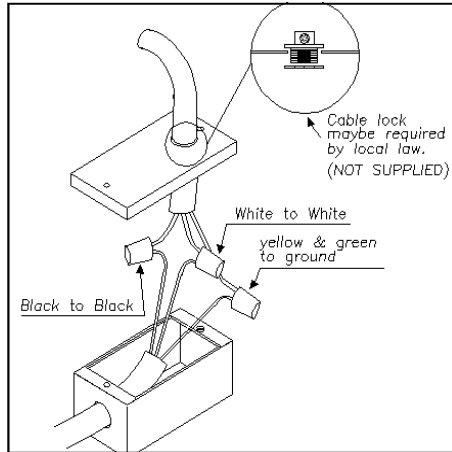


Figure 7

Please refer to the Electrical Supply section on page 2 for the required location of the electrical supply.

CAUTION: Make sure the power is turned off at source. Make electrical connections (refer to Fig 7).

Ensure that the plastic flaps at the exhaust outlet for the fan move freely and have not become jammed or stuck.

Connect the appropriate length of ducting to the fan exhaust point and join up with the ducting to the exterior. Figure 8 shows venting directly through the wall. Venting up and through the ceiling to the exterior is also possible (refer to Fig 9).

Do not fix the ducting to the range hood exhaust outlet with screws - use duct tape. Use duct tape on all joints.

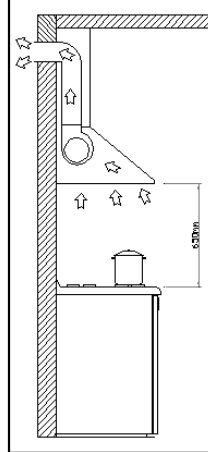


Figure 8

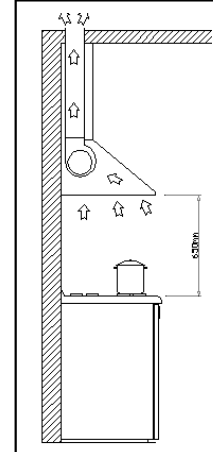


Figure 9

Connecting Chimneys

Remove the protective covering from the decorative chimney and carefully slide the sections together.

Do not remove the tape strips from inside the chimney as this protects the telescoping chimney-piece from scratching.

Holding the two chimney sections together carefully position them over the ductwork and wiring. Position the upper chimney so that it can be fixed via the holes on the side of the 'Y' bracket on the ceiling (refer to Figure 10).

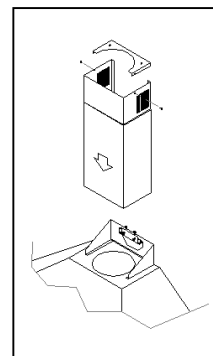


Figure 10

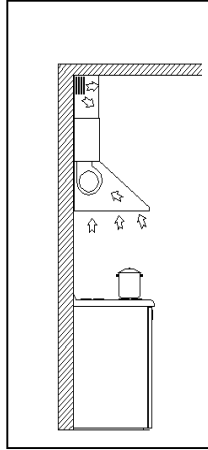


Figure 11

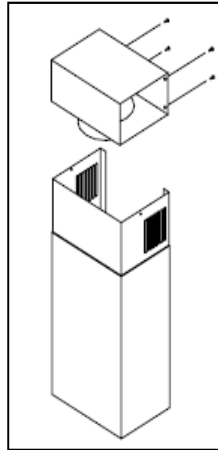


Figure 12

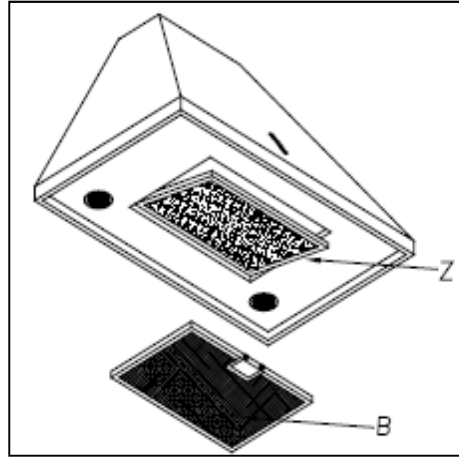


Figure 13

Re-Circulating Requirements

If the unit will be used in re-circulating mode (refer Figure 11), fit the deflector (refer Figure 12) with the screws supplied to the upper telescope chimney.

There are holes in the back upper edge of the decorative chimney for this purpose.

A short length of ducting is connected between the exhaust outlet on the fan and the deflector to direct the air back into the kitchen through the vents at the top of the upper decorative chimney.

The carbon filter (supplied separately) that absorbs odors is installed behind the aluminium grease filter (refer to Fig 13).

OPERATING PROCEDURES

Please read all the instructions before operating the appliance. Save these instructions for future reference.

General Advice

Ensure that the grease filters are in place. Without these components, operating blowers could catch on to hair, fingers and loose clothing. Keep fan, filters and surfaces clean of grease and fat. Always turn hood fan ON when cooking. NEVER leave cooking unattended.

NEVER dispose cigarette ashes, ignitable substances or any foreign objects into blowers.

Cooking that generates flame is not recommended as this hood is equipped with a thermal overload that will shut down the motor if it senses excessive heat. When frying, oil in the pan can easily overheat and ignite. Heat oil slowly in an appropriately sized pot (covering the entire burner) to reduce the risk of boiling over and burning.

In the event of a range top grease fire, observe the following:

Switch OFF the range hood. Turn off the cook top then smother flames with a close fitting lid, cookie sheet or other metal tray. If the flames do not go out immediately:

EVACUATE AND CALL THE FIRE DEPARTMENT. Never pick up a flaming pan – you may be burned. **DO NOT USE WATER** including wet dishcloths or towels, as a violent steam explosion may occur.

Functions

SU Models

Manual Touch Buttons:

- A: Light ON/OFF Button
- B: Blower Speed 1 (low) or OFF
- C: Blower Speed 2 (medium)
- D: Blower Speed 3 (high)
- E: Blower Speed 4 (intensive)
- F: 10 Minute Timer
(refer to figure 15)

SUE Models

Manual Push Button:

- A: Light ON/OFF Button
- B: Blower Speed 1 (low) or OFF
- C: Blower Speed 2 (medium)
- D: Blower Speed 3 (high)
- E: Hood in Operation Light
(refer to figure 16)

Filter requires washing indicator (**SU Models only**): After 30 hours of use, all the buttons will light up to remind you that the grease filter should be cleaned. Follow the instructions for cleaning filters in this booklet. Once the grease filters have been cleaned and replaced, reset by pressing the timer button (F). Do not rely solely on this indicator – generally, the grease filter should be washed on a regular basis to avoid grease filter fires.

The blower should be turned on for approximately 5 minutes before cooking in order to establish air currents upward through the hood. Use the low speeds for normal use and the higher speeds for strong odors and fumes.

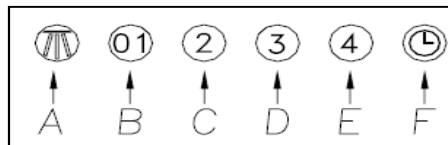


Figure 15

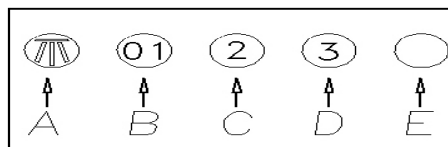


Figure 16

MAINTENANCE

The range hood should provide many years of trouble free use provided it is properly maintained.

Be sure the lights are cool before cleaning the hood – they are halogen and become extremely hot.

Cleaning the Filter

The aluminium mesh filters should be washed by hand or in the dishwasher as required. Damaged and worn filters must be replaced immediately. (Do not operate blower when filters have been removed). Allow filters to dry before replacing them, otherwise water will be drawn into the blower.

If a carbon filter has been fitted, it must be replaced every 6 months as a minimum, depending on usage and type of cooking that is performed.

It is suggested that a spare set of carbon filters is kept on hand. These can be ordered from the supplier of your range hood.

Cleaning the Hood

The outside and interior of your hood should be wiped regularly with a clean, damp cloth and mild household dish detergent or degreaser.

Use a good quality non-abrasive foaming type stainless steel cleaner for exterior surfaces.

Follow the manufacturers directions – generally the foam is sprayed onto a clean dry cloth and then applied to the stainless steel. Allow the foam to react on the surface for a few minutes and then wipe with a clean dry cloth.

On the surfaces that are exposed directly to heat from the cook-top, it is advisable to clean these regularly to avoid the deposits from becoming baked on.

Do not use abrasive cleaning agents as these will destroy the brushed finish.

Light Bulb Replacement

(If in doubt, call 866-528-4987)

Turn blower and lights off. Make sure the lights are cool.

Do not remove the entire fixture (socket) as this is very difficult to reinstall.

Visually inspect the light fixture and establish whether the unit has a smooth or “toothed” metal ring.

If smooth, remove the **glass blocking ring** by prying out with a sharp, soft instrument such as a toothpick (refer to figure 17). Steel instruments will scratch the surface. Be careful that the lens does not fall out.

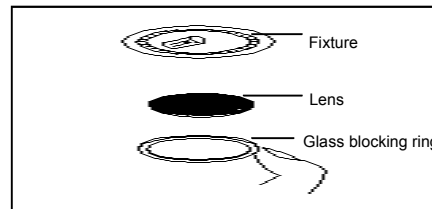
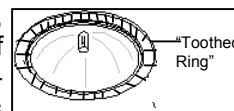


Figure 17

If “toothed”, place the tip of your finger between the lens and the ring. Figure 18



Making your way around the ring, gently pull outwards until a point is found where the ring pulls off (refer to figure 18).

Replace the appropriate bulb. Check parts brochure or specification sheets on our website. Wipe both sides of the glass whilst it is out.



Three Year Limited Warranty

WARRANTY SERVICE

To qualify for warranty service, you must notify Sirius Range Hoods at the address stated below or call toll free USA or Canada **1-866-528-4987** and provide the model number, description of the fault or defect and original date of purchase. Sirius reserves the right to request proof of original purchase. **Sirius will at its sole option and discretion replace products that arrive damaged through shipping, provided shipping damage is reported as stated above within 5 business days of receipt of the shipped product or products.**

ONE YEAR SERVICE REPAIR WARRANTY:

During the first year from date of original purchase, Sirius will, at its option, repair or replace, without charge, any product or part which is found to be defective under normal use and service.

THREE YEAR PARTS WARRANTY:

For three years from date of purchase, Sirius will provide free of charge, non-consumable replacement parts which are found to be defective under normal use and service.

WHO IS COVERED:

Sirius Range Hoods warrants to the original consumer purchaser of its products that such products will be free from defects in materials and workmanship for a period of three years from the original date of purchase. There are no other warranties, express or implied, including, but not limited to, implied warranties of merchantability or fitness for a particular purpose or application.

WHAT IS NOT COVERED:

This warranty does not extend to filters, lamps, batteries, ducts and ductwork components. This warranty does not cover normal maintenance and service or products or parts which have been subject to misuse, negligence, accident, improper maintenance or repair, faulty installation or installation contrary to recommended installation instructions. The warranty on glass screens is limited to manufacturing defects only and expressly excludes cracks and breakages as a result of faulty installation. *Labor and associated costs associated directly with removal and re-installation are expressly excluded.*

The duration of any implied warranty is limited to the three year period as specified for the express warranty. Some states and provinces do not allow limitation on how long an implied warranty lasts, so the above limitation may not apply to you.

Canada: **Sirius Range Hoods Ltd**
1252 Speers Rd Unit 11
Oakville, ON L6L 5N9

USA: **Sirius Range Hoods Ltd**
1051 Clinton Street
Buffalo, NY 14206