





SME-378

**DUAL CASSETTE
KARAOKE SYSTEM**



OWNER'S MANUAL

Please read before using this unit.

WARNINGS

	CAUTION RISK OF ELECTRIC SHOCK DO NOT OPEN	
<p>CAUTION: TO REDUCE THE RISK OF ELECTRIC SHOCK DO NOT REMOVE COVER NO USER-SERVICEABLE PARTS INSIDE. REFER SERVICING TO QUALIFIED SERVICE PERSONNEL</p>		

WARNING : TO AVOID THE HAZARDS OF FIRE OR ELECTRICAL SHOCK, DO NOT EXPOSE THIS APPLIANCE TO RAIN OR OTHER MOISTURE.

	This symbol indicates that dangerous voltage constituting a risk of electric shock is present within this unit.
	This symbol indicates that there are important operating and maintenance instructions in the literature accompanying this unit.

IMPORTANT SAFETY INSTRUCTIONS

Careful attention is devoted to quality standards in the manufacture of your Singing Machine, and safety is a major factor in its design. However, safety is also your responsibility. This section lists important information that will help you properly use and enjoy your Singing Machine and accessories.

Read all the included safety and operating instructions before using your Singing Machine. Follow them closely, and retain them for future reference.

Head Warnings - Follow all warnings on the product and in the operating instructions.

Cleaning - Unplug this product from the wall outlet before cleaning. Use only a damp cloth for cleaning. Do not use liquid or aerosol cleaners

Attachments - Do not use attachments / accessories not recommended by the product manufacturer, as they might create a hazard.

Water and Moisture - Do not use this product near water (for example, near a bathtub, washbowl, kitchen sink, or laundry tub; in a wet basement; or near a swimming pool).

Accessories - Do not place this product on an unstable cart, stand, tripod, bracket, or table. The product may fall, causing serious injury to a child or adult, and serious damage to the product. Use only with a cart, stand, tripod, bracket, or table recommended by the manufacturer or sold with the product. Follow the manufacturer's instructions for mounting and use a recommended mounting accessory.



Carts - Move the product on a cart carefully. Quick stops, excessive force, and uneven surfaces may cause the product / cart to overturn.

Ventilation - Slot and openings in the cabinet provide ventilation, ensure reliable operation, and

protect from overheating. Do not block or cover these openings, and do not place the product on a bed, sofa, rug, or other similar surface. Do not place the product in a built-in installation such as a bookcase or rack unless it provides proper ventilation as specified by the manufacturer.

Power Sources - Operate this product using only the power source indicated on its marking label. If you are not sure of your home's power type, consult your product dealer or local power company.

Polarization - This product is equipped with a polarized AC line plug (a plug having one blade wider than the other). This plug will fit in the power outlet only one way. This is a safety feature. If you cannot insert the plug fully into the outlet. Try reversing the plug. If the plug still doesn't fit, contact your electrician to replace your obsolete outlet. Do not defeat the safety purpose of the polarized plug. If you need an extension, use polarized cord.

Power-Cord Protection - Route power-supply cord so they are not likely to be walked on or pinched by items placed on or against them, paying particular attention to cords at plugs, convenience receptacles, and the point where they exit from the product.

Lightning - For added protection for this product during a lightning storm, or when it is left unattended and unused for long periods of time, unplug it from the wall outlet and disconnect the antenna or cable system. This will prevent damage to the product due to lightning and power-line surges.

Overloading - Do not overload wall outlets, extension cord, or integral convenience receptacles, as this can result in a risk of fire or electric shock.

Objects and Liquids - Never push objects of any kind into this product through openings, as they may touch dangerous voltage points or short out parts that could result in a fire or electric shock. Never spill liquid of any kind on the product.

Servicing - Do not attempt to service this product yourself, as opening or removing covers may expose you to dangerous voltage or other hazards. Refer all servicing to qualified service personnel.

Damage Requiring Service - Unplug this product from the wall outlet and refer servicing to qualified, service personnel under the following conditions:

- When the power-supply cord or plug is damaged.
- If liquid has been spilled or objects have fallen into the product.
- If the product has been exposed to rain or water.
- If the product does not operate normally by following the operating instructions. Adjust only those controls that are covered by the operating instructions, as an improper adjustment of other controls may result in damage and will often require extensive work by a qualified technician to restore the product to normal operation.
- If the product has been dropped or damaged in any way.
- When the product exhibits a distinct change in performance.

Replacement Parts - When replacement parts are required, be sure the service technician uses replacement parts specified by the manufacturer of having the same characteristics as the original part. Unauthorized substitutions may result in fire, electric shock, or other hazards.

Safety Check - Upon completion of service or repairs to this product, ask the service technician to perform safety checks to determine that the product is in proper operating condition.

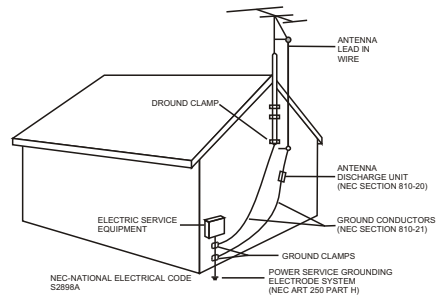
Wall or Ceiling Mount - The product should be mounted to a wall or ceiling only as recommended by the manufacturer.

Heat - The product should be situated away from heat sources such as radiators, heat registers, stoves, or other products (including amplifiers) that produce heat.

Power Lines - Locate an outdoor antenna away from power lines.

Nonuse Periods - Unplug the product's power cord when you will not use it for extended periods.

Outdoor Antenna Grounding - If an outside antenna or cable system is connected to the product, ground the antenna or cable system so as to provide some protection against voltage surges and built-up static charges. Article 810 of the National Electrical code, ANSI/NFPA 70, provides information about proper grounding of the mast and supporting structure, grounding of the lead-in wires to an antenna discharge unit, size of grounding conductors, location of antenna discharge unit, connection to grounding electrodes, and requirements for the grounding electrode. See the example below.



SERVICE AND REPAIR

Should your unit ever need service or repair, please contact

The Singing Machine Co., Inc.

6601 Lyons Road, Bldg. 7A Coconut Creek, FL 33073-9902, U.S.A.
TEL: (954)596-1000 FAX: (954)596-2000

INTRODUCTION

Congratulations on the purchase of your new Singing Machine unit, which will provide you with many years of fun and entertainment. Although it is full of features, it is easy to use. Just a few simple instructions and you will become an expert.

Before you use your unit, please glance through this manual to familiarize yourself with all of the features available and the sections of the manual that describe their operation. Next go to the section for the specific operation you wish to perform.

As a reminder here are the general features listed for the unit:

- | | |
|--|---------------------------|
| --- Dual Cassette Decks | --- AC/DC Operation |
| --- Professional Microphone with ON/OFF Switch | --- Auxiliary Input Jack |
| --- Dual Mic Input Jacks | --- Auxiliary Output Jack |
| --- Preset Vocal Echo | --- Microphone Holder |
| --- Microphone Volume Controls | |

CONNECTING POWER

DC OPERATION

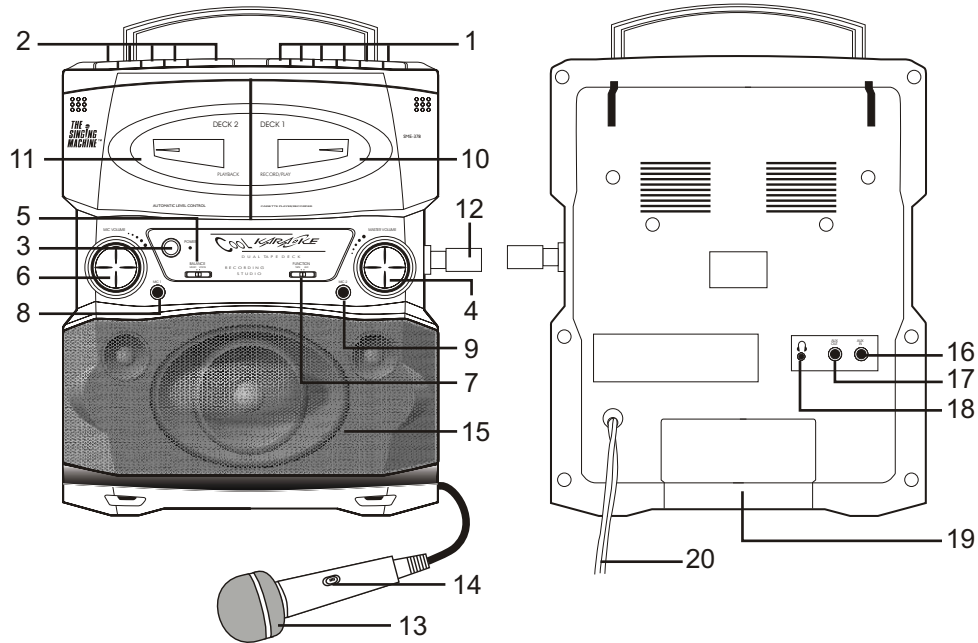
1. Lift cover to reveal battery compartment. Insert six (6) "C" size alkaline batteries (not provided) as indicated.
2. Replace cover tightly before operating.
3. When not using batteries for a long period of time, remove batteries to prevent leakage in compartment. Replace all batteries at the same time.

AC OPERATION

Plug in polarized AC line cord into AC wall outlet/voltage, where applicable.

Note: Unit will not operate on batteries while line cord is plugged into wall.

CONTROL LOCATIONS



1. For Deck 1 (Left to Right)

- PAUSE Button
- STOP/EJECT Button
- FAST FORWARD (F.FWD) Button
- REWIND (REW) Button
- PLAY Button
- RECORD Button

2. For Deck 2 (Left to Right)

- PAUSE Button
- STOP/EJECT Button
- FAST FORWARD (F.FWD) Button
- REWIND (REW) Button
- PLAY Button

3. Power OFF/ON

4. MASTER VOLUME Control

5. BALANCE Control

6. MIC VOLUME Control

7. FUNCTION Selector

8. MIC 1 Input

9. MIC 2 Input

10. Cassette Compartment For Deck 1

11. Cassette Compartment For Deck 2

12. Mic Holder

13. Microphone

14. Mic ON/OFF Switch

15. Speaker

16. AUX IN Jack

17. AUX OUT Jack

18. HEADPHONE Jack

19. Battery Compartment

20. AC Line Cord (Polarized)

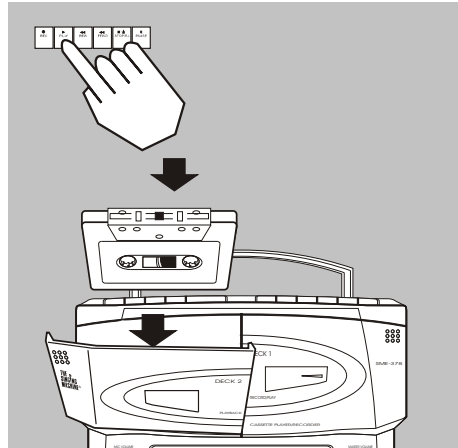
CASSETTE OPERATION

Loading and Unloading Cassettes

Follow these steps to load and unload cassettes.

1. Press STOP/EJECT button.
2. Insert cassette with desired side facing you, tape surface up. Avoid touching tape.
3. Close cassette holder/tape deck cover.

Note: To unload, press STOP/EJECT button, remove cassette and close cover.

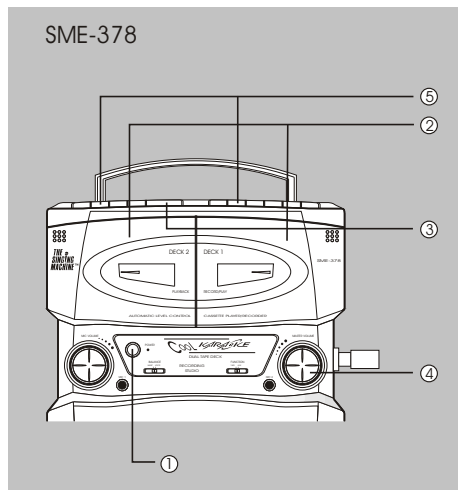


PLAYBACK

1. Turn on POWER (1).
2. Load cassette(s) into Tape Deck 1, Tape Deck 2 or both Decks (2).
3. Depress PLAY Button(s) (3) of Deck 1 or Deck 2. If both PLAY Buttons are depressed, sound from both decks will be mixed together.
4. Adjust MASTER VOLUME (4) Control to your pleasure.
5. To stop tape on either Deck, press STOP/EJECT Button (5) on that Deck once. (A second pressing will eject the tape.) Or, when tape reaches its end, that deck will automatically stop and its PLAY button will be released.

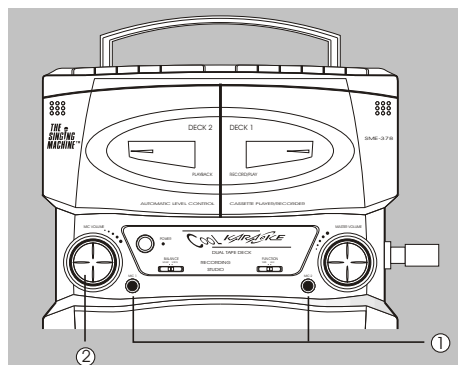
DUAL TAPE DECK AUTO START

1. Turn on POWER (1).
2. Load prerecorded cassettes into both decks. The first tape you wish to play is placed into Deck 2.
3. Depress PAUSE button of Deck 2, then press the PLAY button of Deck 2.
4. Press PAUSE button of Deck 1, and then press the PLAY button of Deck 1. Press PAUSE button of Deck 2, Deck 2 will be begun to play. When Deck 2 stops, either by pressing the STOP/EJECT button or because of the tape reaches its end, DECK 1 will begin to play.



MICROPHONES

1. When either or both microphones are plugged into the Microphone Jacks (1), their output is mixed with the playback from cassette tapes.
2. Adjust MICROPHONE VOLUME (2) for best balance between playback and microphone levels.



SING ALONG - Tape

1. Follow instructions for PLAYBACK. Either tape deck may be used for playback, but using Deck 1 will permit recording Sing Along performances.
2. Follow instructions for Microphone.
3. Adjust MASTER VOLUME/MICROPHONE VOLUME. Your voice will be combined with the playback output and will be heard through the loudspeaker.
4. With Singing Machine or similar multiplex cassettes, you can sing duets along with the pre-recorded artist and background music.

RECORDING SING ALONG - Tape

1. Load a blank cassette in Tape Deck 1.
2. Load a Singing Machine or similar multiplex tape or any other pre-recorded tape into Tape Deck 2.
3. Start Tape Deck 2 by pressing PLAY Button.
4. Press both RECORD and PLAY Buttons of Tape Deck 1 at the same time. The combined output of your voice and the playback of Tape Deck 2 will be recorded on the blank tape in Tape Deck 1.

ADDING EXTRA VOICE(S) / DUBBING OR COPYING

1. Follow directions for Recording Sing Along - Tape, loading your recorded Sing Along tape into Tape Deck 2.
2. Load another blank tape into Tape Deck 1.
3. Follow Steps 4 and 5 for Recording Sing Along - Tape. Your voice will again be added, allowing you to sing duets with your own voice. If you use the microphone input for an instrument, you can record that at a separate time than your voice performance.

Note: If you simply want to make a dub or copy, load the tape you wish to copy in Tape Deck 2 and a blank tape in Tape Deck 1. Turn Microphone ON/OFF Switch to OFF position, or unplug the microphone(s).

SING ALONG WITH A VIDEO CASSETTE

SING ALONG WITH A VIDEO CASSETTE (See Page 8)

Follow these steps to sing along with a video cassette.

1. Connect a VCR's Left or Right audio outputs (AUX OUT) to the system's AUX IN jack.
2. Plug in the microphone(s) into either of the MIC jacks.
3. Load the video cassette and then start playback.
4. Turn on the TV (that is already connected to the VCR). If it is a Karaoke Video Cassette, the lyrics will show on the screen and will also let you adjust the volume of both the pre-recorded vocal and background music.

Note: Do not put the system too close (minimum 6 feet) to your TV Set.

AUXILIARY INPUT

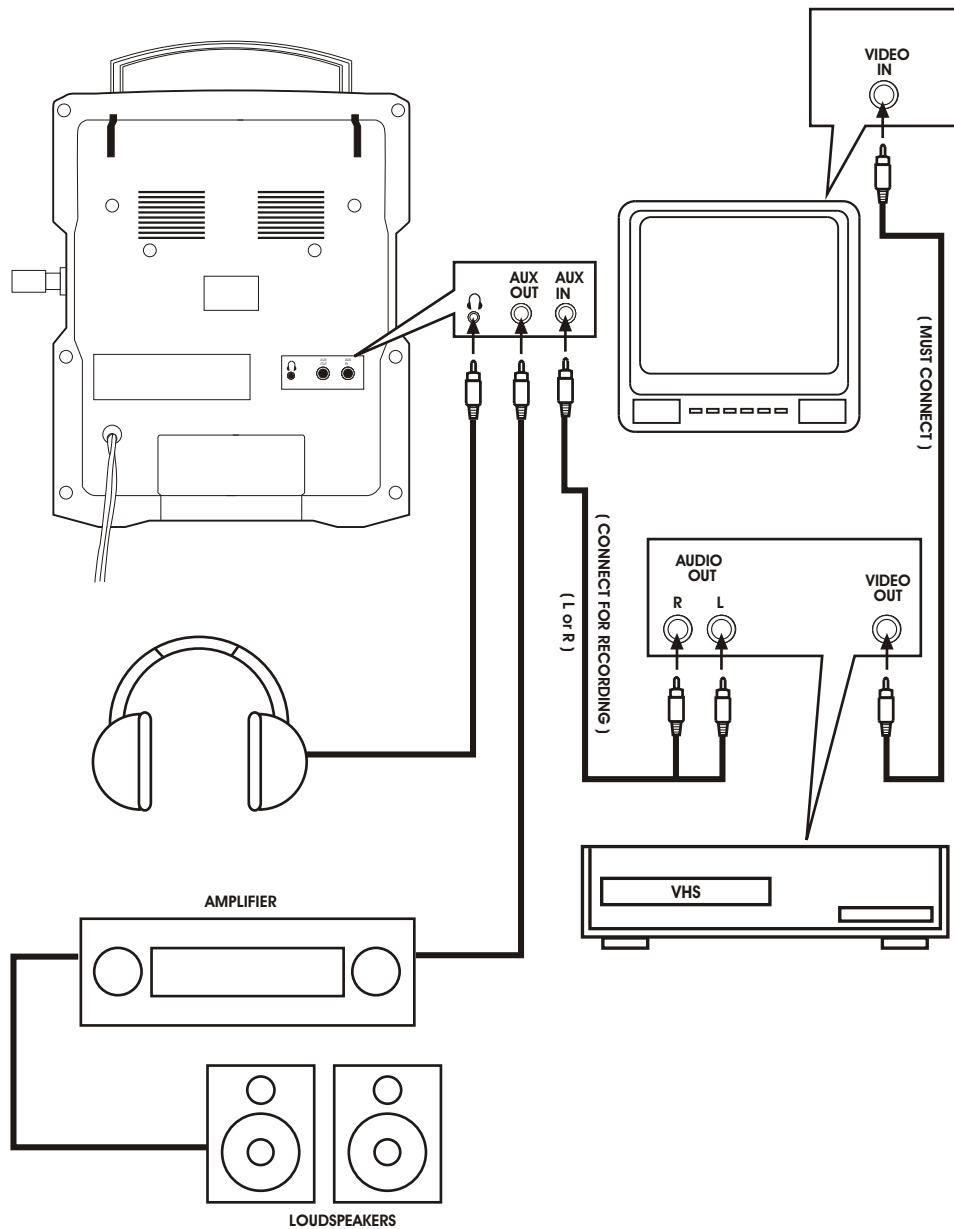
1. Plug auxiliary device into socket on back of the unit. Output of device will be heard through karaoke system.
2. AUX signal will mix with output of Tape Decks 1 or 2 for Sing Along.
3. Follow Sing Along and Recording Sing Along instructions.

AUXILIARY INPUT JACK - let you connect another audio input source, such as a stereo VCR or a Radio Tuner, so you can sing along with the source.

AUXILIARY OUTPUT JACK - let you connect another audio output component, such as an equalizer/booster or a PA system.

HEADPHONE JACK - let you connect to your headphone.

CONNECTIONS - SING ALONG WITH A VIDEO CASSETTE



Warning: Your TV set and the recording studio should be kept at least 6 ft. away from each other. Otherwise, distortion may occur on the TV screen.

SPECIFICATIONS

Recording System ----- DC Bias
Erasing System ----- Magnetic Erase
Fast Forward & Rewind ----- 150 seconds (C60)
Frequency Response ----- 50 - 20K Hz
Power Requirements ----- AC 110V/120V 60 Hz
(Where Applicable) ----- or AC 220V/240V 50 Hz
----- DC 9V (6 x "C" Cells)
Dimensions (H x W x D) ----- 14 x 11.8 x 6.2 Inches/35.6 x 30 x 15.8 cm
Weight ----- 5.8 Lbs/2.6Kgs

Specifications are typical, individual units might vary. They are subject to continuous improvement without notice and without incurring any obligation.

The Singing Machine Co., Inc.

6601 Lyons Road, Bldg. 7A Coconut Creek, FL 33073-9902, U.S.A.

PRINTED IN CHINA

TEL: (954)596-1000 FAX: (954)596-2000

visit our website : www.singingmachine.com