

Mobile Merchandiser

MODELS MM4, MM6

Service Manual

Serial Numbers 122605 and Higher



Fresh ideas in foodservice equipment

Warranty Information

LIMITED ONE YEAR WARRANTY

BKI (The "Company") warrants to the original purchaser that at time of shipment from the Company factory, this equipment will be free from defect in materials and workmanship. Written notice of a claim under this warranty must be received by the Company within ONE YEAR from the date of installation, but no longer than ONE YEAR AND THREE MONTHS from date of shipment from the factory. Defective conditions caused by abnormal use or misuse, lack of or improper maintenance, damage by third parties, alterations by unauthorized personnel, acts of God, failure to follow installation and/or operating instructions, or any other events beyond the reasonable control of the Company will NOT be covered under this warranty. The obligation of the Company under this warranty shall be limited to repairing or replacing (at the option of the Company) any part, with the exception of lamps, fuses, and glass (which are not covered under warranty), which is found defective in the reasonable opinion of the Company. Any part found defective by the Company will be repaired or replaced without charge F.O.B. factory, Simpsonville, South Carolina or F.O.B. authorized BKI Distributor. The Company and/or its authorized representatives will assume the normal replacement labor expense for the defective part for the period of the warranty as stated above, excluding travel and/or other expenses incidental to the replacement of the defective part, where replacement work is performed during standard business hours and not subject to overtime, holiday rates, and/or any additional fees. IN NO EVENT SHALL THE COMPANY BE LIABLE FOR LOSS OF USE, LOSS OF REVENUE OR LOSS OF PRODUCT OR PROFIT OR FOR INDIRECT OR CONSEQUENTIAL DAMAGES INCLUDING BUT NOT LIMITED TO, FOOD SPOILAGE OR PRODUCT LOSS. WARRANTY DOES NOT COVER GLASS BREAKAGE. THE ABOVE WARRANTY IS EXCLUSIVE AND ALL OTHER WARRANTIES, EXPRESS OR IMPLIED, ARE EXCLUDED INCLUDING THE IMPLIED WARRANTIES OF MERCHANTABILITY AND FITNESS FOR A PARTICULAR PURPOSE.

REPLACEMENT PARTS

Any appliance replacement part, with the exception of lamps, fuses, and glass, which proves to be defective in material or workmanship within ninety (90) days of installation will be replaced without charge F.O.B. Factory, Simpsonville, SC or F.O.B. authorized BKI Distributor. The user shall have the responsibility and expense of removing and returning the defective part to the Company as well as the cost of reinstalling the replacement or repaired part.

Table of Contents

Table of Contents	1
Introduction	2
Safety Precautions	2
Safety Signs and Messages	2
Safe Work Practices	3
Safety Labels	5
Installation	6
Instructions For Shipping Damage	6
Location and Placement	6
Electrical Information	6
Replacement Parts	7
Assemblies	7
Control Box Assembly	7
Components	8
Accessories	9
Wiring Diagrams	11
Notes	21

Introduction

Congratulations! You have chosen a **Mobile Merchandiser** that will give you many years of fine service from the original manufacturer, **BKI**.

The **BKI** name and trademark on this unit assures you of the finest in design and engineering — that it has been built with care and dedication — using the best materials available. Attention to the operating instructions regarding proper installation, operation, and maintenance will result in long lasting dependability to insure the highest profitable return on your investment.

NOTICE

PLEASE READ THIS ENTIRE MANUAL BEFORE OPERATING THE UNIT. If you have any questions, please contact your **BKI** Distributor. If they are unable to answer your questions, contact the **BKI** Technical Service Department, toll free: 1-800-927-6887. Outside the U.S., call 1-864-963-3471.

Safety Precautions

Always follow recommended safety precautions listed in this manual. Below is the safety alert symbol. When you see this symbol on your equipment, be alert to the potential for personal injury or property damage.



Safety Signs and Messages

The following Safety signs and messages are placed in this manual to provide instructions and identify specific areas where potential hazards exist and special precautions should be taken. Know and understand the meaning of these instructions, signs, and messages. Damage to the equipment, death or serious injury to you or other persons may result if these messages are not followed.

DANGER

This message indicates an imminently hazardous situation that, if not avoided, will result in death or serious injury.

WARNING

This message indicates a potentially hazardous situation, which, if not avoided, could result in death or serious injury.

CAUTION

This message indicates a potentially hazardous situation, which, if not avoided, may result in minor or moderate injury. It may also be used to alert against unsafe practices.

NOTICE

This message is used when special information, instructions or identification are required relating to procedures, equipment, tools, capacities and other special data.

Safe Work Practices



Beware of High Voltage

This equipment uses high voltage. Serious injury can occur if you or any untrained or unauthorized person installs, services, or repairs this equipment. Always Use an Authorized Service agent to Service Your Equipment.



Keep this manual with the Equipment

This manual is an important part of your equipment. Always keep it near for easy access. If you need to replace this manual, contact:

BKI

Technical Services Department
 P.O. Box 80400
 Simpsonville, S.C. 29680-0400
 Or call toll free: 1-800-927-6887
 Outside the U.S., call 864-963-3471



Protect Children

Keep children away from this equipment. Children may not understand that this equipment is dangerous for them and others.

NEVER allow children to play near or operate your equipment.

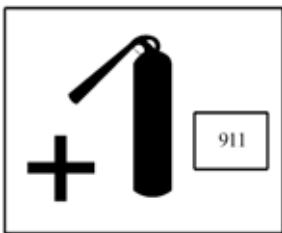


Keep Safety Labels Clean and in Good Condition

Do not remove or cover any safety labels on your equipment. Keep all safety labels clean and in good condition. Replace any damaged or missing safety labels. Refer to the Safety Labels section for illustration and location of safety labels on this unit. If you need a new safety label, obtain the number of the specific label illustrated on page 5, then contact:

BKI

Technical Services Department
 P.O. Box 80400
 Simpsonville, S.C. 29680-0400
 Or call toll free: 1-800-927-6887
 Outside the U.S., call 864-963-3471

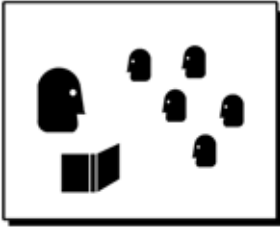


Be Prepared for Emergencies

Be prepared for fires, injuries, or other emergencies.

Keep a first aid kit and a fire extinguisher near the equipment. You must use a 40-pound Type BC fire extinguisher and keep it within 25 feet of your equipment.

Keep emergency numbers for doctors, ambulance services, hospitals, and the fire department near your telephone.



Know your responsibilities as an Employer

- Make certain your employees know how to operate the equipment.
- Make certain your employees are aware of the safety precautions on the equipment and in this manual.
- Make certain that you have thoroughly trained your employees about operating the equipment safely.
- Make certain the equipment is in proper working condition. If you make unauthorized modifications to the equipment, you will reduce the function and safety of the equipment.

Safety Labels

N0444

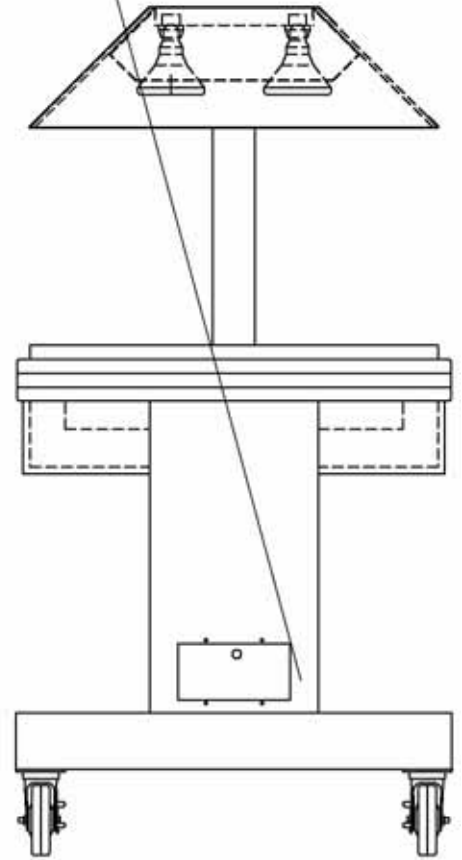
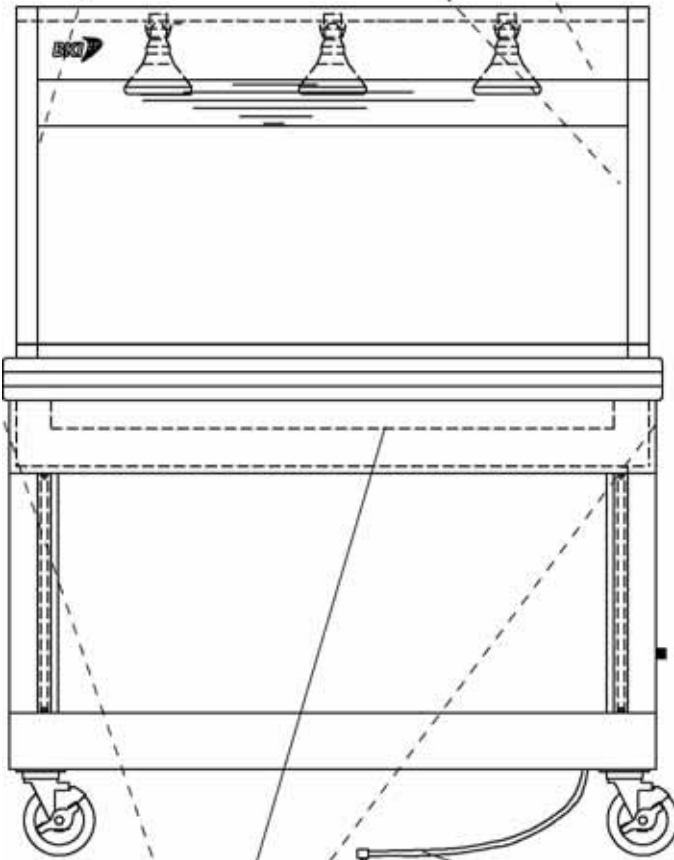
This lamp has been treated to resist breakage and must be replaced with a similarly treated lamp in order to maintain compliance with NSF standards.

N0516

This machine is intended for use with pre-packaged foods only.

N0202

 **DANGER**
HIGH VOLTAGE.
Turn power off before servicing.
May have more than one disconnect switch.
Do not cover or remove label. N0202



N0200

 **CAUTION**
Hot surface can cause severe burns.
Do not touch.
Do not cover or remove label. N0200

N0158

WARNING
CONNECT ONLY TO APPROVED 3 PRONG GROUNDED CIRCUIT. FAILURE TO DO SO COULD RESULT IN SERIOUS INJURY.

WARNING
CONNECT ONLY TO APPROVED 3 PRONG GROUNDED CIRCUIT. FAILURE TO DO SO COULD RESULT IN SERIOUS INJURY.

DO NOT COVER OR REMOVE THIS LABEL

N0158

Installation

⚠ WARNING

Serious injury, equipment damage or death could result if attempting to install this unit yourself. Ensure that an authorized BKI service agent installs the unit.

Instructions For Shipping Damage

You are responsible for filing all freight claims with the delivering truck line. Inspect all cartons and crates for damage when they arrive. If there is damage noted to shipping crates or cartons, or, if a shortage is found, note this on the bill of lading (all copies) before signing.

If damage is detected when the equipment is uncrated, immediately call the delivering truck line and follow up the call with a written report indicating concealed damage to your equipment. Ask for an immediate inspection of your concealed damage item. Crating material **MUST** be retained to show the inspector from the truck line.

Location and Placement

Move the unit to a permanent location and lock the swivel casters before using.

Electrical Information

⚠ WARNING

Electrocution, equipment failure or property damage could result if an unlicensed electrician performs the electrical installation. Ensure that a licensed electrician perform the electrical installation in accordance with local codes, or in the absence of local codes, with the National Electrical Code, ANSI NFPA 70-20XX.

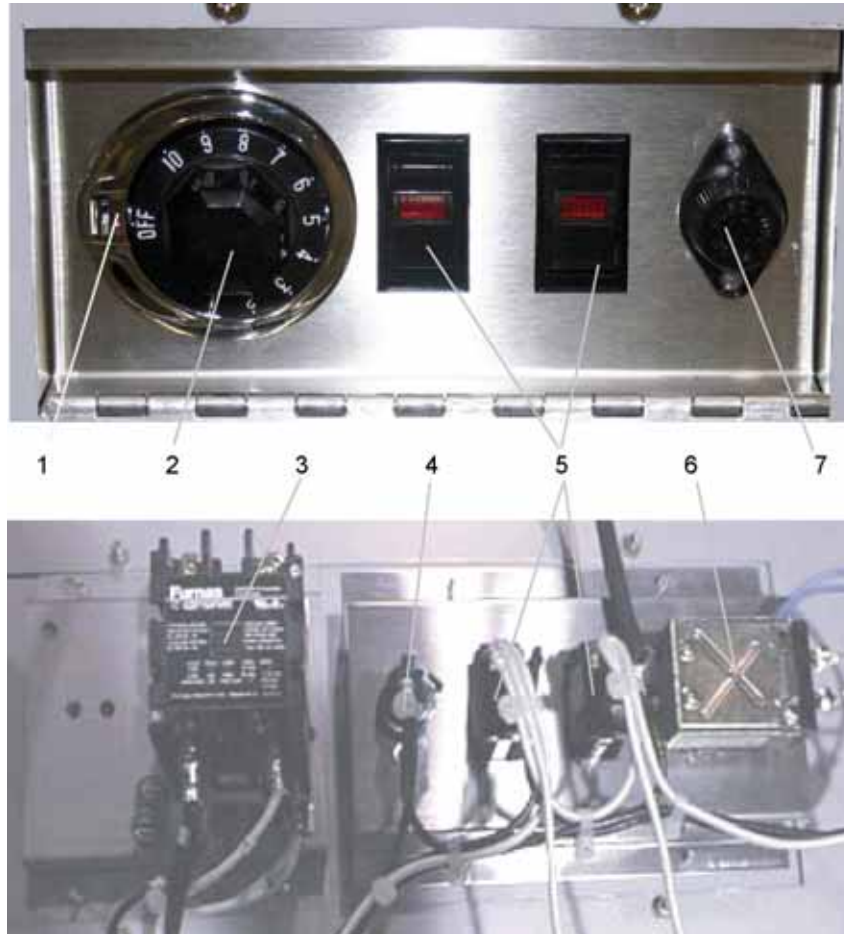
This unit, when installed by an authorized BKI service agent, must be wired for use in accordance with all applicable local, state, and federal codes. For specific electrical requirements and connections refer to the wiring diagram attached to the unit or provided in the Service Manual.

Replacement Parts

Use the information in this section to identify replacement parts. To order replacement parts, call your local BKI sales and service representative. Before calling, please note the serial number on the rating tag affixed to the unit.



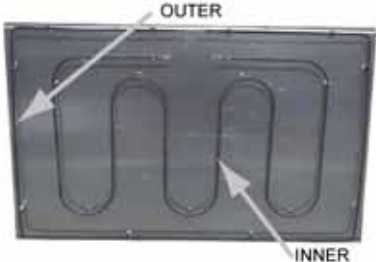
Assemblies



Control Box Assembly



ITEM #	PART #	QTY	DESCRIPTION
1	PL0014	1	PILOT LIGHT, Z770890300
2	K0019	1	KNOB, T-STAT BLK 1-10
3	R0002 or R0004	1	RELAY, 2 POLE 110/120V or RELAY, 2 POLE 208/240V
4	FH0001 or FH0003	1	FUSE HOLDER, 15A 300V HPF-EE or FUSE HOLDER, 20A 300V HPS-JJ
5	S0102 or S0107	2	SWITCH, RCKR SPST W/LITE 250V or SWITCH, RKR SPST 15A 125V LAMP
6	T0081	1	THERMOSTAT, 250V 450 DEG
7	F0097 or F0104	1	FUSE, 15A 300V SC15 TIME DELAY or FUSE, 20A 300V SC20 TIME DELAY

Components

PART #	QTY	DESCRIPTION	PICTURE
TG0024	1	THERMOMETER 100-220 F/C 36" CAP. (MM6 – for product 642613A only)	
TG0027	1	THERMOMETER 2" SOLAR SS FRT (MM4 – for product 642406B only) THERMOMETER 2" SOLAR SS FRT (MM6 – for product 642606B only)	
C0406	4	CASTER, W/TOP PLATE 5"	
CS0024	1	CORD SET, 12/3 SJTO 8' 30" LEAD (MM4)	
CS0023		CORD SET, 250V 6' 12/3 SO (MM6 – for product 642605B only)	
AB64263400		CORD SET, 6' 120V (MM6)	
C0200 C0243	1	CALROD MM4, 120V 600W A2182-1 (Outer) CALROD MM4, 120V 600W U1-32-414-2 (Inner)	
C0204 C0205		CALROD MM6, 120V 1000W (Outer) CALROD MM6, 120V 1000W (Inner)	
C0299 C0311		CALROD MM4, 240V 600W (Outer) CALROD MM4, 240V 600W (Inner)	
C0312 C0313		CALROD MM4/MM6, 240V 1000W (Outer) CALROD MM4/MM6, 240V 1000W (Inner)	
C0318 C0319		CALROD MM6, 208V 1000W (Outer) CALROD MM6, 208V 1000W (Inner)	

PART #	QTY	DESCRIPTION	PICTURE
FL0028	6 10	LAMP, FLOOD 100W PAR38 120V (MM4) LAMP, FLOOD 100W PAR38 120V (MM6)	
FL0002	6 10	LAMP, FLOOD 175W PAR38 120V HEAT (MM4) LAMP, FLOOD 175W PAR38 120V HEAT (MM6)	
FL0003	6 10	LAMP, FLOOD 150W PAR38 240/250V (MM4) LAMP, FLOOD 150W PAR38 240/250V (MM6)	
LH0001	6 10	LAMPHOLDER, RD PORCELAIN (MM4) LAMPHOLDER, RD PORCELAIN (MM6)	

Accessories

PART #	QTY	DESCRIPTION	PICTURE
FB64242210	1	WELL RISER MM4	Figure 1
FB64265910	2	WELL RISER MM6	Figure 1
AN64267800	1	BREAD RACK SHELF FOR MM-4 (for product 642405B and 642418B only)	Figure 2
AN64267900	1	BREAD RACK SHELF FOR MM-6 (for product 642611B only)	Figure 2
AN64267700	2	BREAD BOX FOR MM-4 OR MM-6 (for product 642604B only)	Figure 2

Figure 1. Well Riser



Figure 2. Bread Rack & Bread Box



Wiring Diagrams

Refer to the table below to find the wiring diagram associated with your unit.

Wiring Diagram	Part #	Figure #
MM4 120V/1 Phase (600W Heating Elements, FL0028 100W Lamp)	SB64291900	Figure 3
MM4 120V/1 Phase (600W Heating Elements, FL0002 175W Lamp)	SB64290500	Figure 4
MM4 120V/1 Phase (600W Heating Elements, FL0028 100W Lamp)	SB64291300	Figure 5
MM4 220V/1 Phase (504W Heating Elements, FL0003 150W Lamp)	SB64290900	Figure 6
MM4 230V/240V/1 Phase (600W Heating Elements, FL0003 150W Lamp)	SB64291800	Figure 7
MM6 120V/1 Phase (1000W Heating Elements, FL0028 100W Lamp, 20A fuse)	SB64292000	Figure 8
MM6 120V/1 Phase (1000W Heating Elements, FL0002 175W Lamp, 20A fuse)	SB64290100	Figure 9
MM6 208V/240V/1 Phase (1000W Heating Elements, FL0003 150W Lamp, 15A fuse)	SB64291700	Figure 10
MM6 240V/1 Phase ENGLAND (1000W Heating Elements, FL0003 150W Lamp, 15A fuse)	SB64290600	Figure 11

Figure 3. MM4 120V/1 Phase (600W Heating Elements, FL0028 100W Lamp)

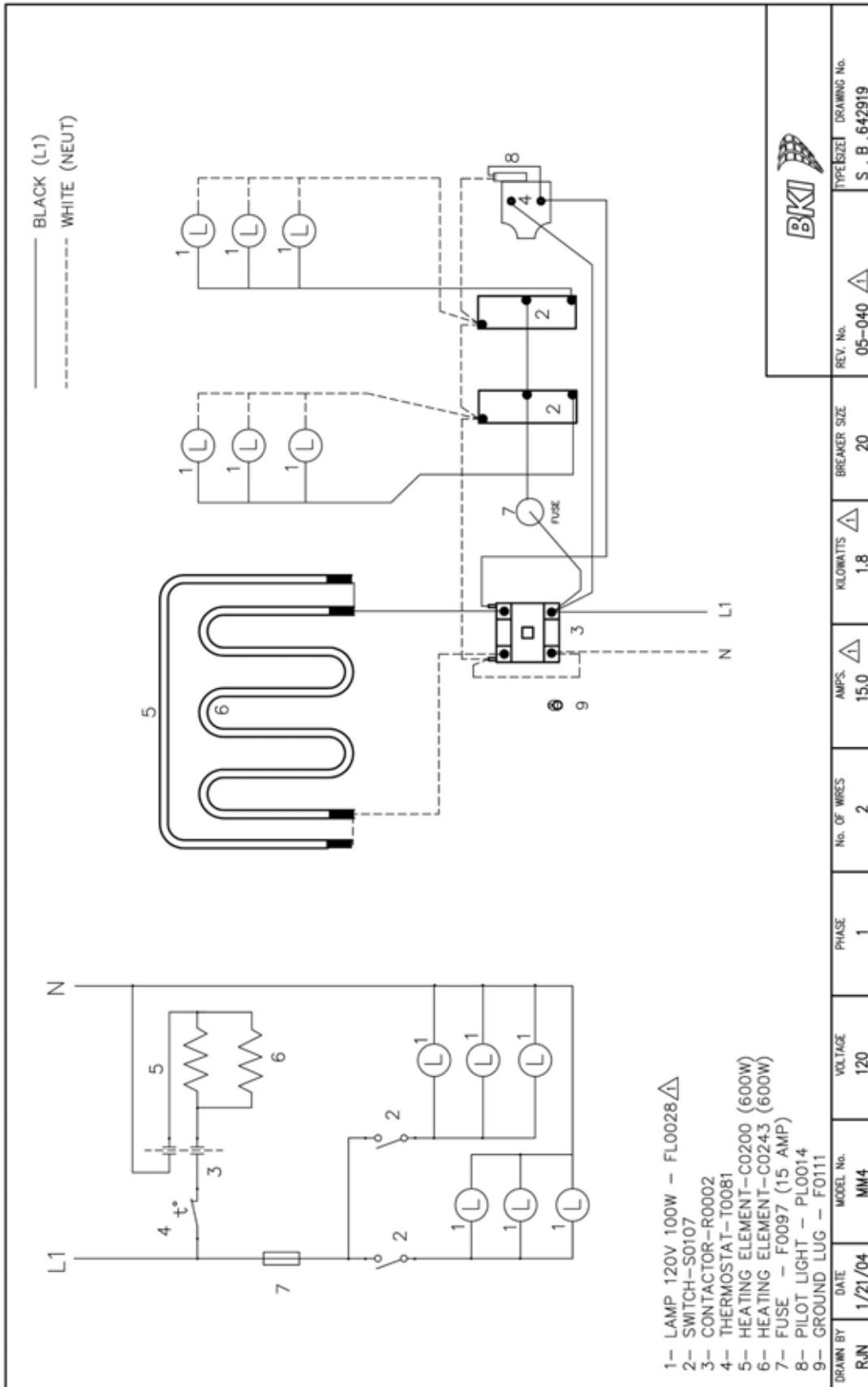


Figure 4. MM4 120V/1 Phase (600W Heating Elements, FL0002 175W Lamp)

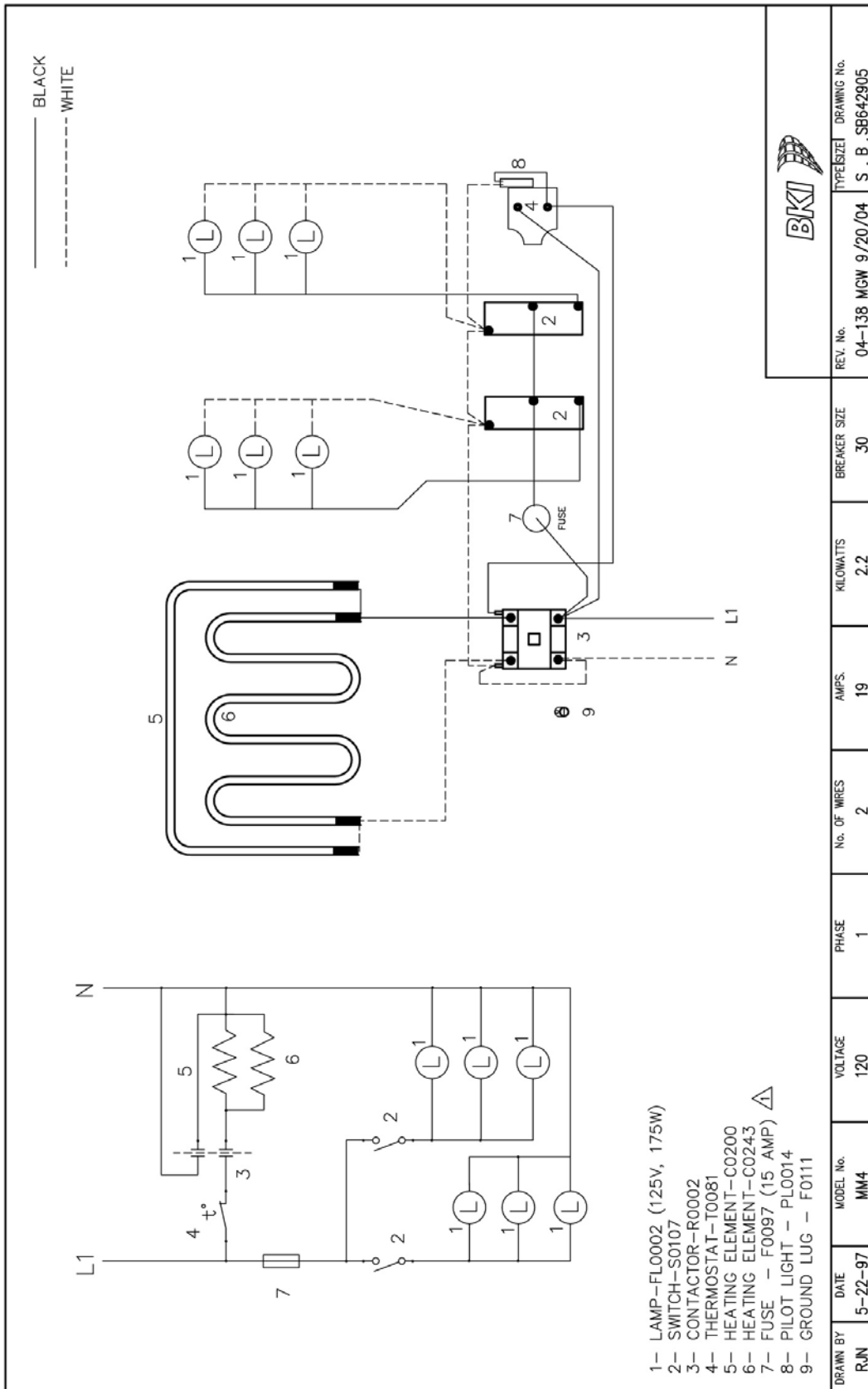


Figure 6. MM4 220V/1 Phase (504W Heating Elements, FL0003 150W Lamp)

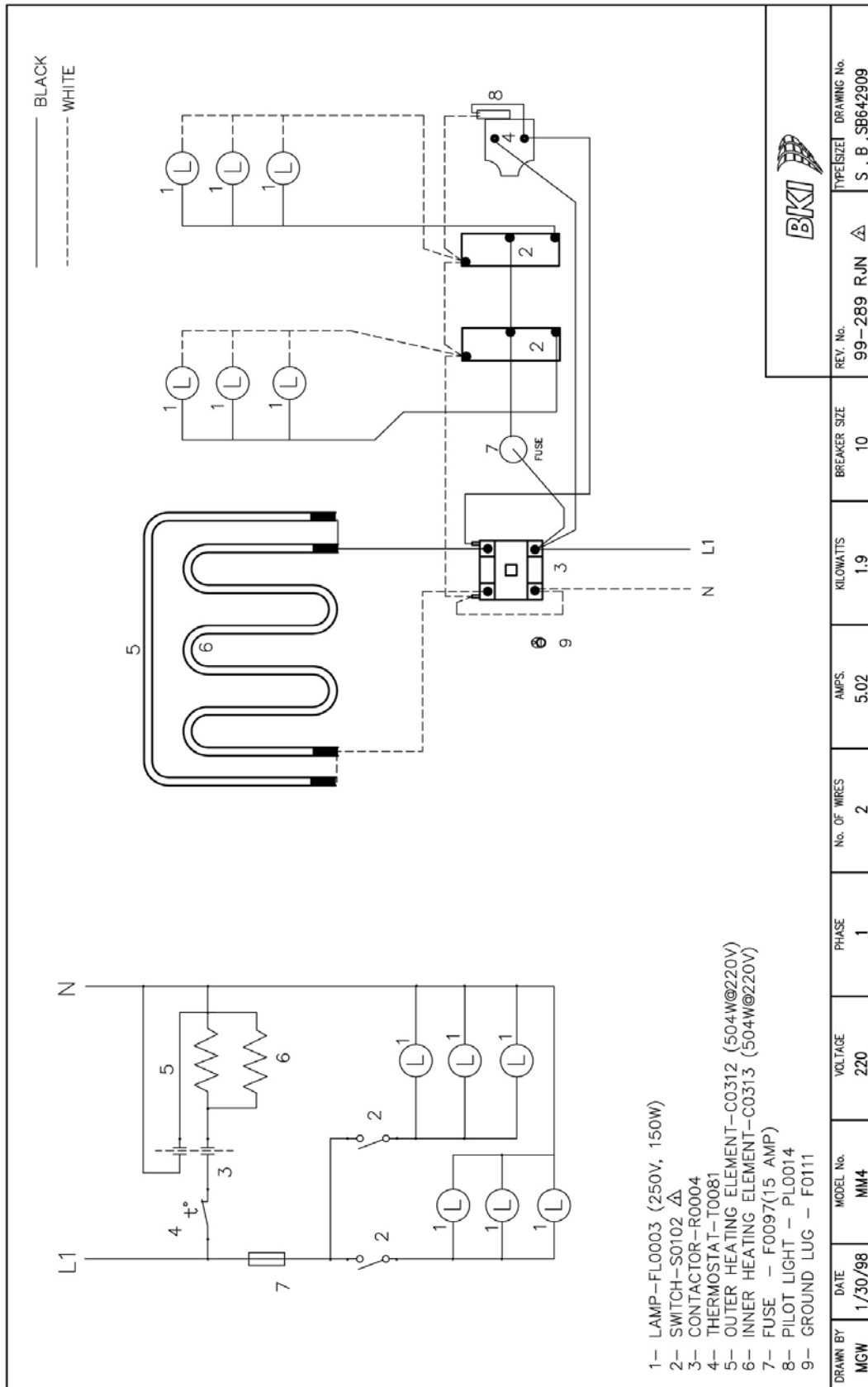


Figure 8. MM6 120V/1 Phase (1000W Heating Elements, FL0028 100W Lamp, 20A fuse)

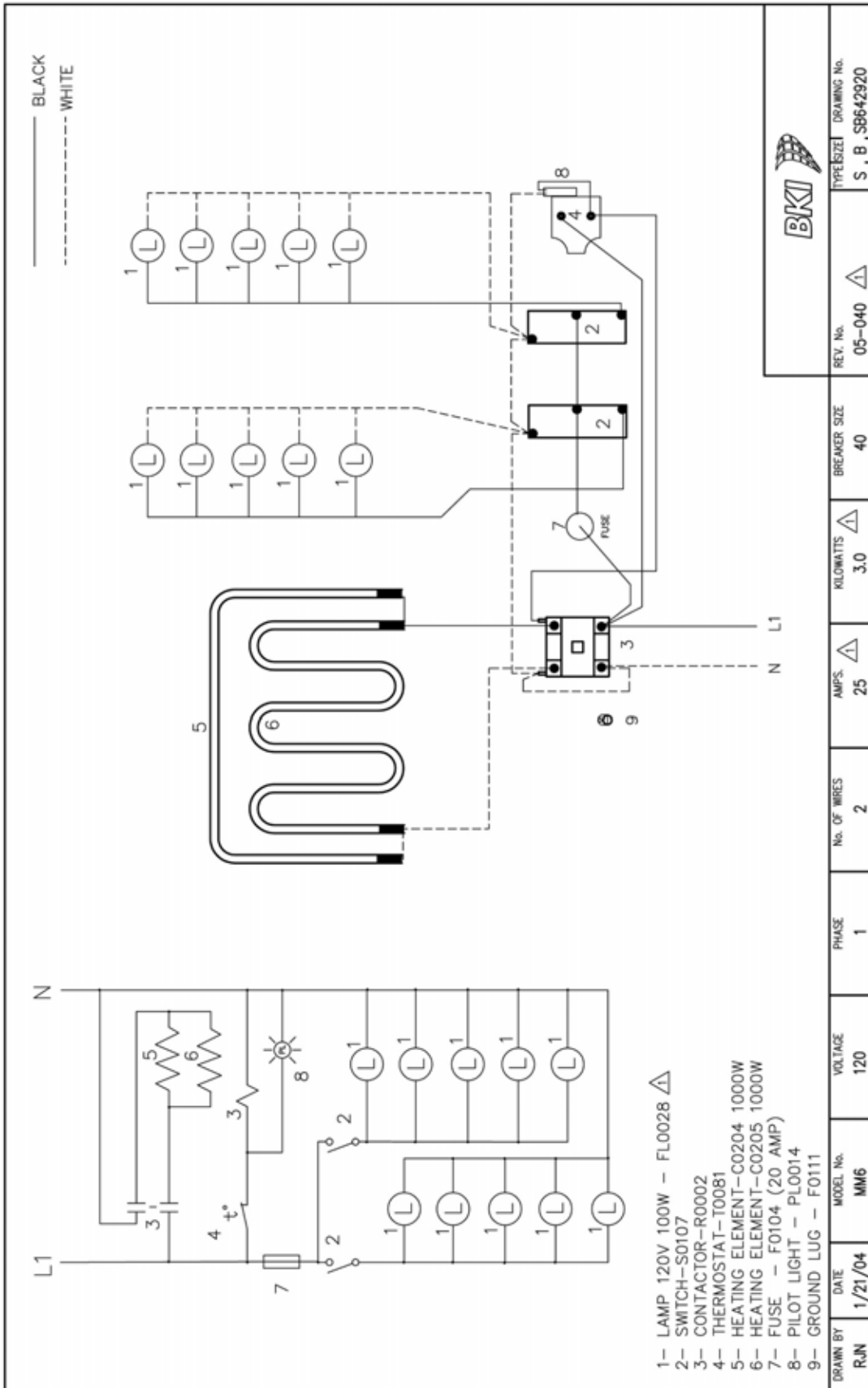


Figure 9. MM6 120V/1 Phase (1000W Heating Elements, FL0002 175W Lamp, 20A fuse)

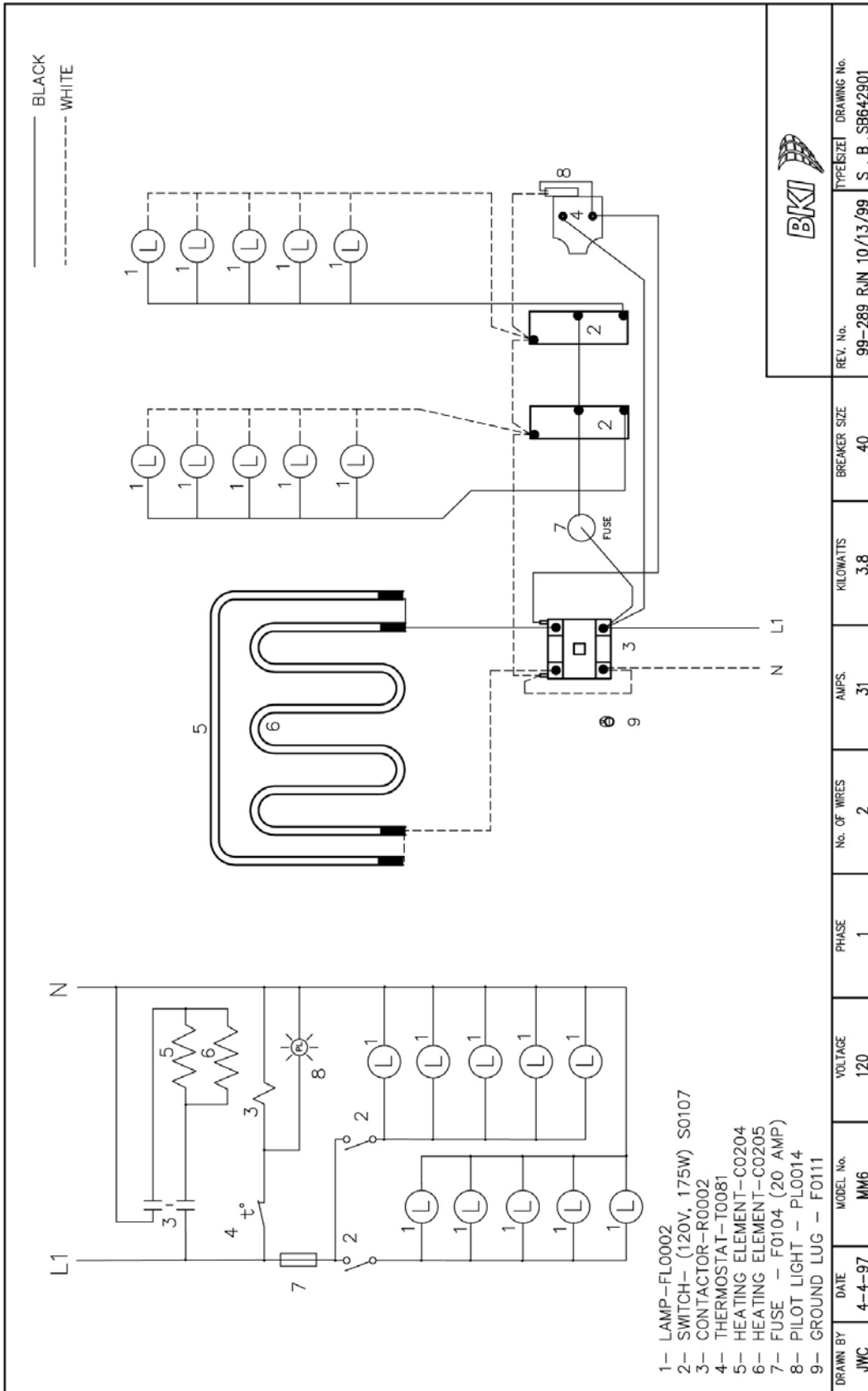


Figure 10. MM6 208V/240V/1 Phase (1000W Heating Elements, FL0003 150W Lamp, 15A fuse)

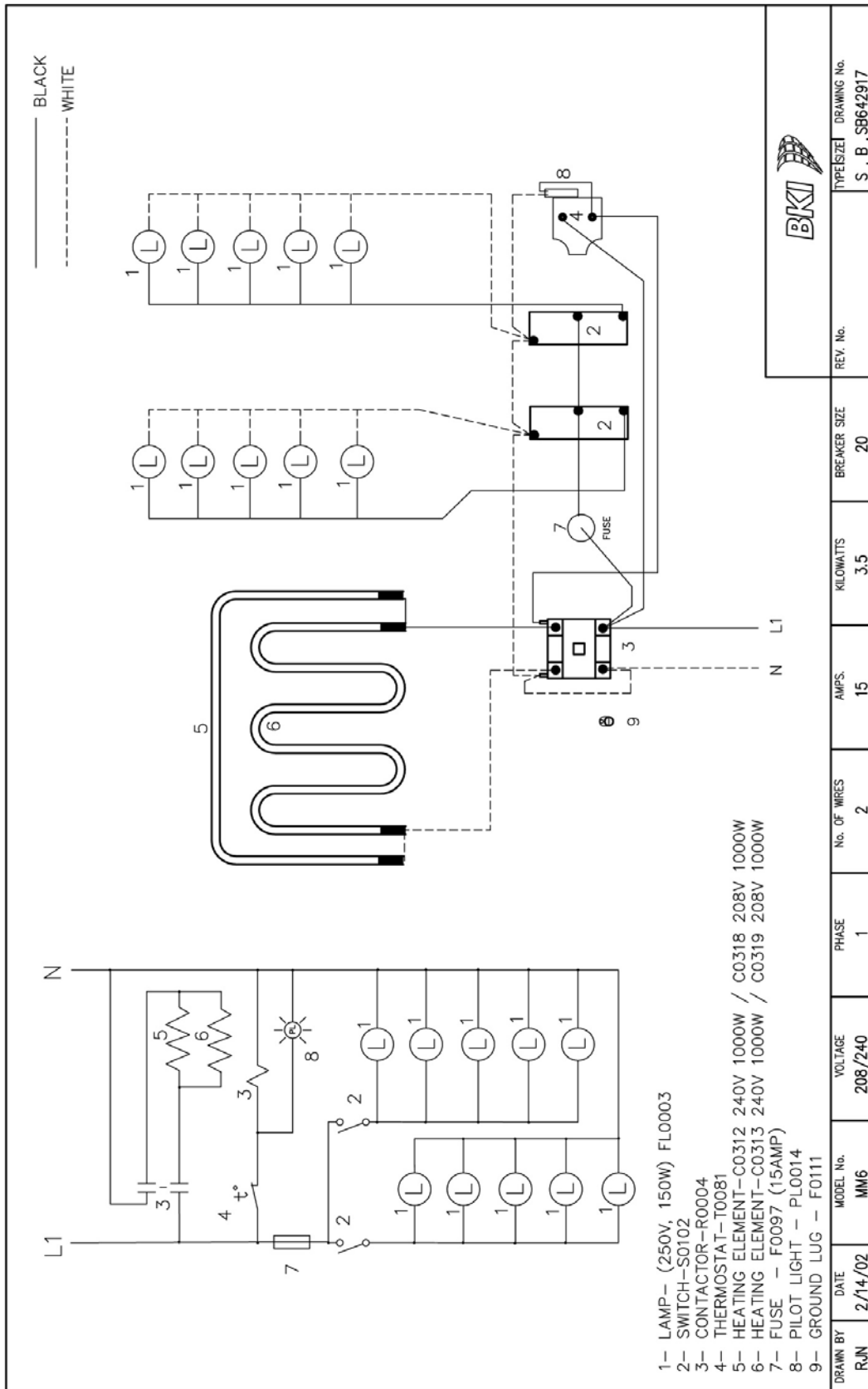
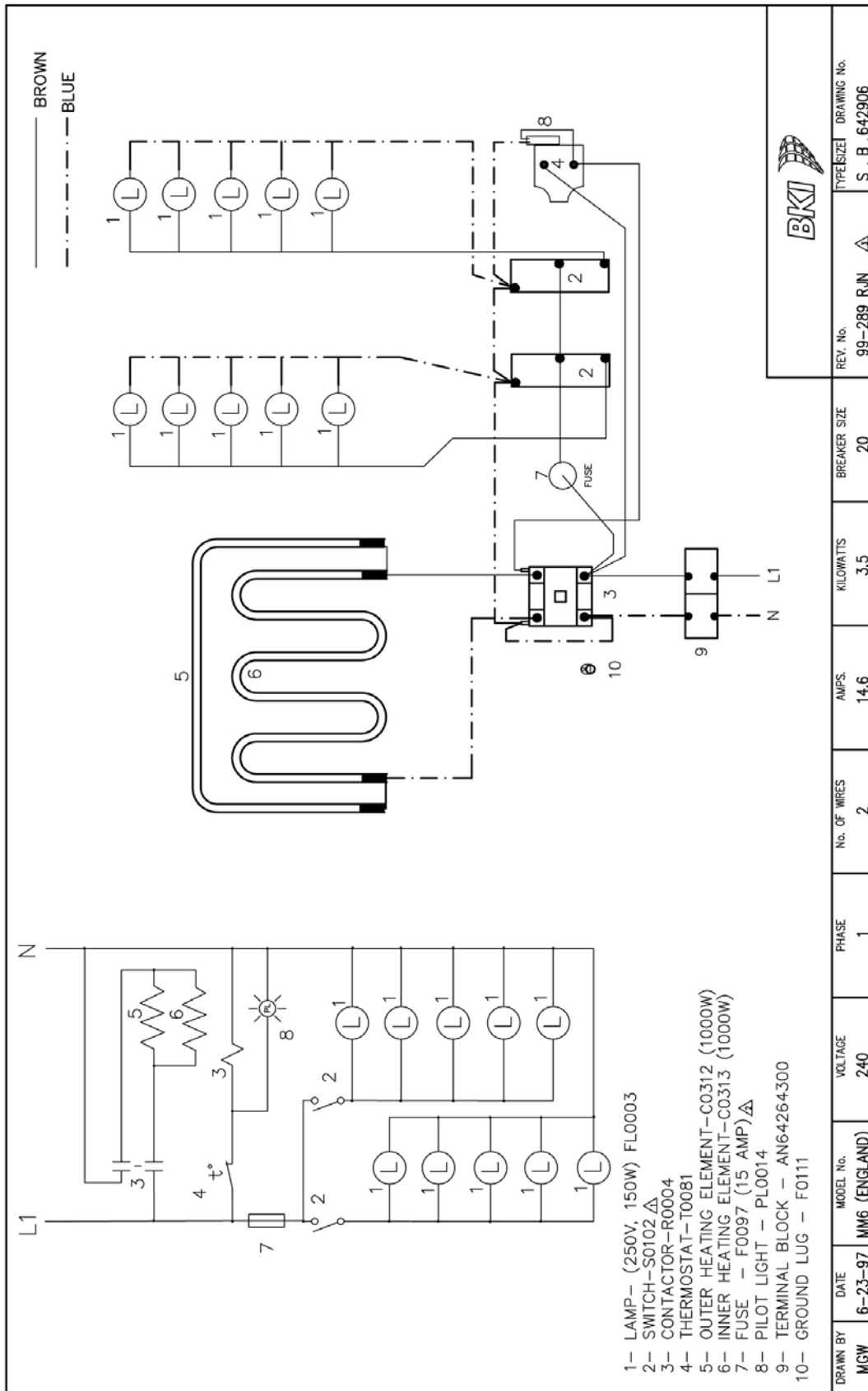


Figure 11. MM6 240V/1 Phase ENGLAND (1000W Heating Elements, FL0003 150W Lamp, 15A fuse)



Notes



P.O. Box 80400, Simpsonville, S.C. 29680-0400, USA
<http://www.bkideas.com>

Made and printed in the U.S.A
LI0268/0407