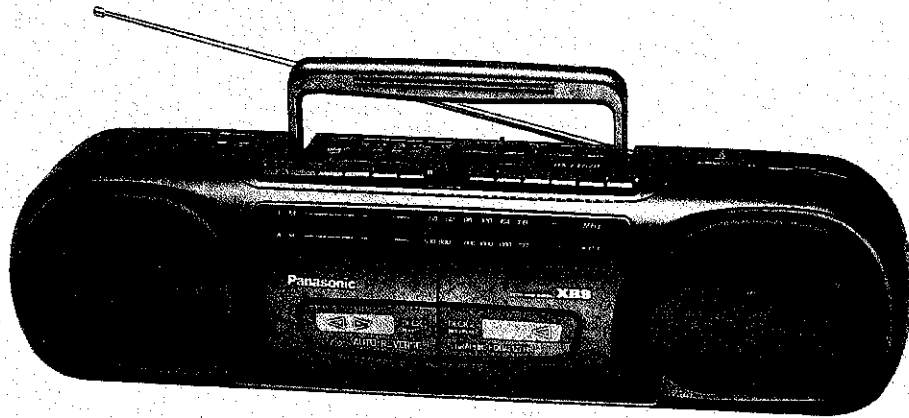


Panasonic

Stereo Radio Cassette Recorder

RX-FT570

Operating Instructions



Before connecting, operating or adjusting this product,
please read these instruction completely.



Dear Customer

Thank you for purchasing this product.
For optimum performance and safety, please read these instructions carefully.

Table of Contents

Precautions.....	2
Supplied Accessory	3
Power Sources	3
Location of Controls.....	4
Listening to Radio Broadcasts.....	5
Listening to Tapes.....	6
Making a Recording	8
Care & Use	10
Technical Specifications	11

Precautions

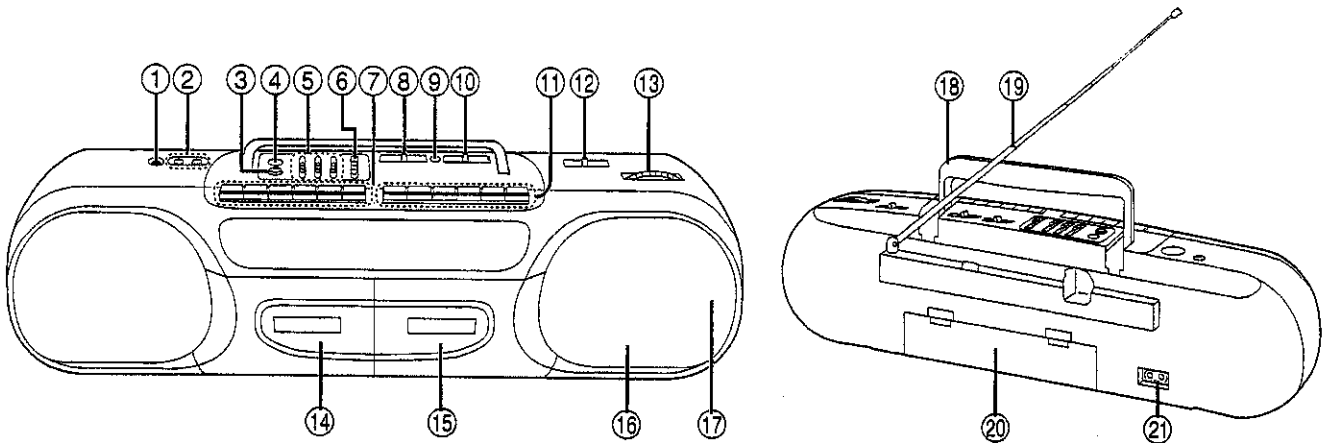
WARNING:

TO REDUCE THE RISK OF FIRE OR ELECTRIC SHOCK, DO NOT EXPOSE THIS APPLIANCE TO RAIN OR MOISTURE.

- If the set is not used for a long period of time or is used only from an AC power source, remove all the batteries to prevent potential damage due to possible battery leakage.
- Avoid using or placing this unit near sources of heat. Do not leave it in an automobile exposed to direct sunlight for a long time with the doors and windows closed as this may deform the cabinet.
- Avoid cuts, scratches, or poor connections in the AC power cord, as they may result in possible fire or electric shock hazard. Also, excessive bending, pulling or splicing of the cord should be avoided.
- Do not unplug the AC power cord by pulling the lead. To do so may cause premature failure or shock hazard.
- Do not operate the set on AC mains in a bathroom, as a potential shock hazard may result.
- When not in use, disconnect the AC power cord from the AC power outlet.

The function selector switch does not separate entire unit from mains even if in "TAPE/OFF" position.

Location of Controls



- | | |
|--|--|
| <ul style="list-style-type: none"> ① Headphones jack (PHONES) ② CD/Line input jacks (CD/LINE IN) ③ XBS (Extra Bass System) button (XBS) ④ Built-in microphone (MIC) ⑤ Graphic equalizer controls (GRAPHIC EQUALIZER) ⑥ Volume control (VOLUME) ⑦ Deck 1 (For playback)
Reverse mode select button (REV MODE)
Stop/eject button (STOP/EJECT)
Fast buttons (←-FAST-→)
Playback button (▶ PLAY)
Direction button (↔ DIR) ⑧ Function selector (SELECTOR)
(TAPE/OFF, RADIO, CD/LINE) ⑨ FM stereo indicator (FM ST) ⑩ Editing mode selector/beat proof switch (EDITING/B.P) (MIC/ NORMAL/ HIGH/) | <ul style="list-style-type: none"> ⑪ Deck 2 (For recording and playback)
Pause button (PAUSE)
Stop/eject button (STOP/EJECT)
Fast forward/cue button (◀◀/CUE)
Rewind/review button (▶▶/REV)
Playback button (▶ PLAY)
Record button (● RECORD) ⑫ Band selector (BAND) ⑬ Tuning control (TUNING) ⑭ Deck 1 cassette compartment ⑮ Deck 2 cassette compartment ⑯ Speaker (Woofer) ⑰ Speaker (Tweeter) ⑱ Handle ⑲ Telescopic antenna ⑳ Battery compartment ㉑ AC socket (AC IN-) |
|--|--|

Connections

How to connect portable CD player (not included)

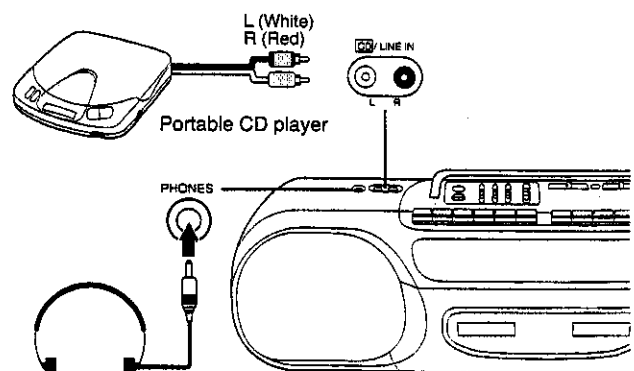
When listening or recording CD, set SELECTOR to CD/LINE.

- When not using the CD/LINE IN jacks, disconnect the connector from it.

How to use headphones (not included)

Reduce the volume level. Connect the headphones to the headphones jack.

- Avoid listening for prolonged periods of time to prevent hearing damage.
- Speakers are automatically cut off when the headphones are connected.

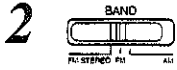


Listening to Radio Broadcasts

Refer to **A**.



Set **SELECTOR** to **RADIO**.



Set **BAND** to the desired radio band.

FM STEREO: To receive FM stereo broadcasts (if you have tuned into an FM stereo broadcast, the FM indicator will light.)

AM: To receive AM broadcasts

- If FM stereo reception is poor, set **BAND** to **FM**. This will reduce the noise and provide clear reception; however, the broadcast will not be heard in stereo.



Use **TUNING** to tune into a desired broadcast.



Adjust **VOLUME**, **GRAPHIC EQUALIZER** and **XBS**.

The radio can be turned off by setting **SELECTOR** to **TAPE/OFF**.

XBS (extra bass system) **A**

When the XBS button is set to "ON", the dynamic low frequency ranges are boosted. Adjust the level by using the XBS level control. Using this system with graphic equalizer helps you to get more dynamic sounds.

Graphic Equalizer **A**

It allows you to edit the frequency response of the unit to compensate for room acoustics and other factors which affect frequency response. The overall tone can be altered by adjusting the controls at the three frequency bands; 100Hz, 1 kHz, 10 kHz.

For increased amplification of the corresponding frequency band, position the switch towards "+10" marking and likewise towards the "-10" marking to attenuate the corresponding frequency band.

If the XBS button is set to "ON", the 100 Hz control functions as the XBS level control.

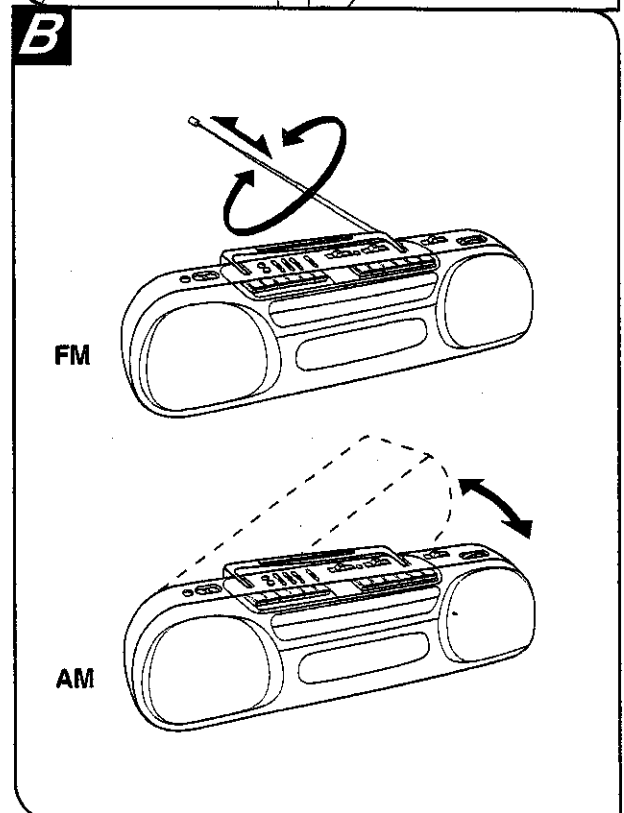
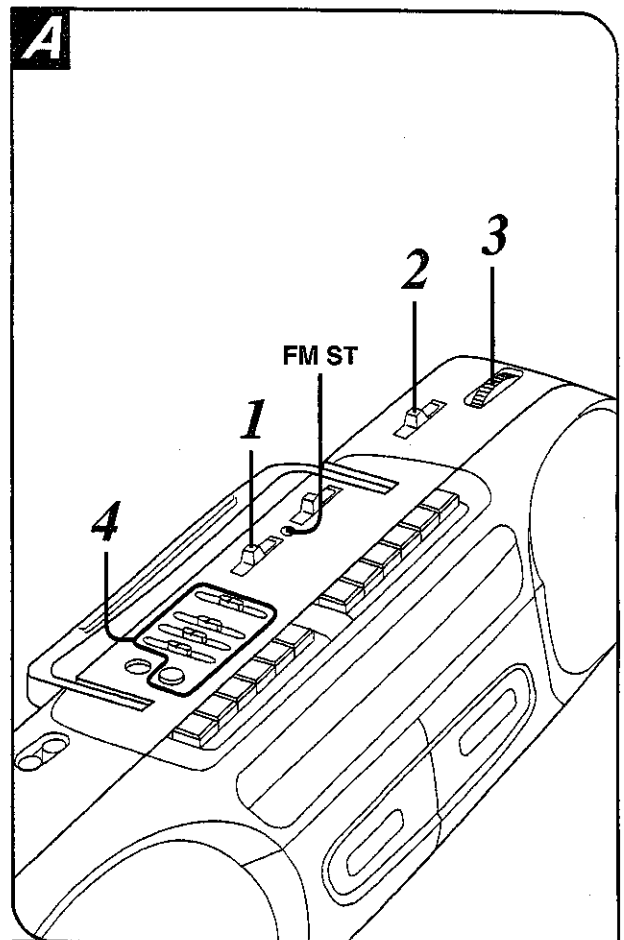
Adjust the antennas **B**

FM:

Pull out the telescopic antenna and adjust its length and angle for optimum reception.

AM:

Turn the unit in the direction which gives the best results.







Listening to Tapes

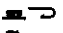


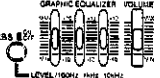
You can use normal tapes only.

You can use either deck 1 or deck 2 for tape playback by following the same steps. (This page shows an example using deck 1.)

Single tape playback **A**

- 1**  Set **SELECTOR** to **TAPE/OFF**.
- 2**  Press **STOP/EJECT**, and then insert the tape. Insert the cassette with the exposed tape facing up.

 Playback side
- 3**  Set **REV MODE** (For deck 1 only) to select desired playback mode in deck 1.

 -  : Two side playback mode
 -  : Repeat two-side playback mode
- 4**  Press **PLAY** to start playback.
- 5**  Adjust **VOLUME**, **GRAPHIC EQUALIZER** and **XBS** level controls as desired.

To stop the playback:
Press **STOP/EJECT**.

Auto stop:

During playback, when the tape reaches its end, the automatic stop system will release **PLAY** and automatically turn the unit off. During tape playback, if the deck 1 **REV MODE** is set to "↔" position, the automatic stop system does not function.

When the tape reaches the end by pressing **FAST**, the automatic stop system does not function. The tape will stop, but as the motor continues to turn, do not leave the set in this condition. Be sure to press **STOP/EJECT**.

To fast forward or rewind the tape **B**

Deck 1

Press **←←-FAST-→→** while the tape is stopped.

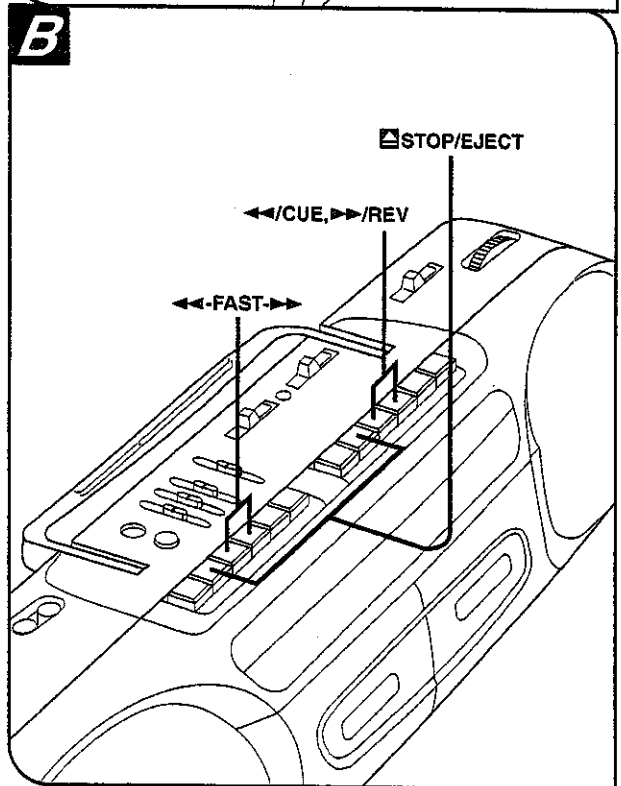
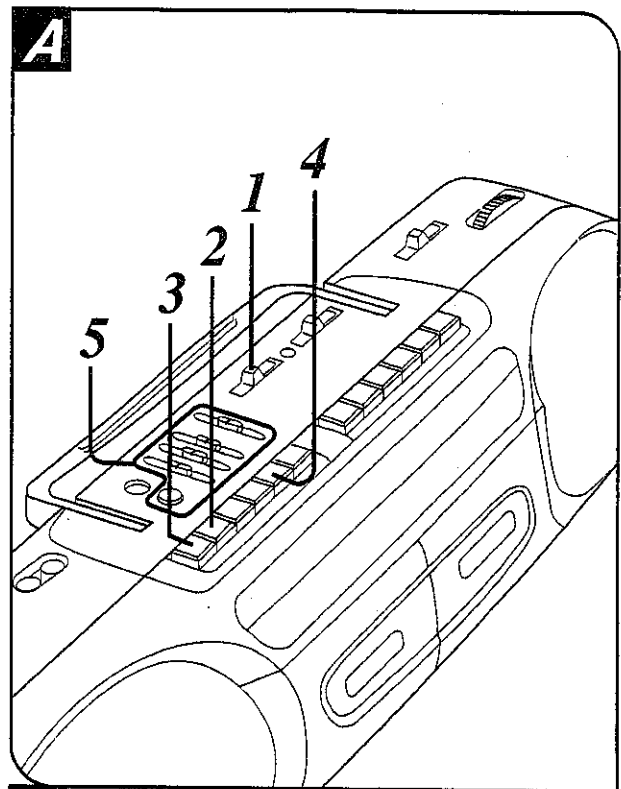
Deck 2

Press **←←/CUE or →→/REV** while the tape is stopped.

The tape will start moving forward or reverse direction at high speed. To stop the fast forward or rewind operation, press **STOP/EJECT**.

Note:

Do not press **PLAY** during fast forward or rewind, as this may jam the tape. Always press **STOP/EJECT** first between functions.



To cue or review the tape **B**






For deck 2 only

During playback, press and hold **←←/CUE or →→/REV**. The recorded sound on the tape can be monitored at high speed.

Listening to Tapes (continued)

Automatic playback relay (deck 1 to deck 2)



When deck 1 playback has finished, deck 2 playback starts automatically.

- 1  Insert the playback tapes into deck 1 and deck 2.
- 2  Set deck 1 REV MODE to .
- 3  Press PLAY of deck 1.
- 4  Press PAUSE of deck 2, then press PLAY.

Auto Reverse System



Deck 1 is equipped with an auto reverse function that allows you to perform two-side playback or repeat two-side playback. If DIR is pressed during the tape playback, the reverse side of the cassette tape can be heard.

To listen to side A and side B with auto reverse at Deck 1

Select "Two-side REV MODE [ ]" of deck 1 before pressing PLAY of deck 1.

Be sure to start playback from the forward direction (side A). If playback is started from the reverse direction (side B), only side B will be played, after which auto stop will operate.

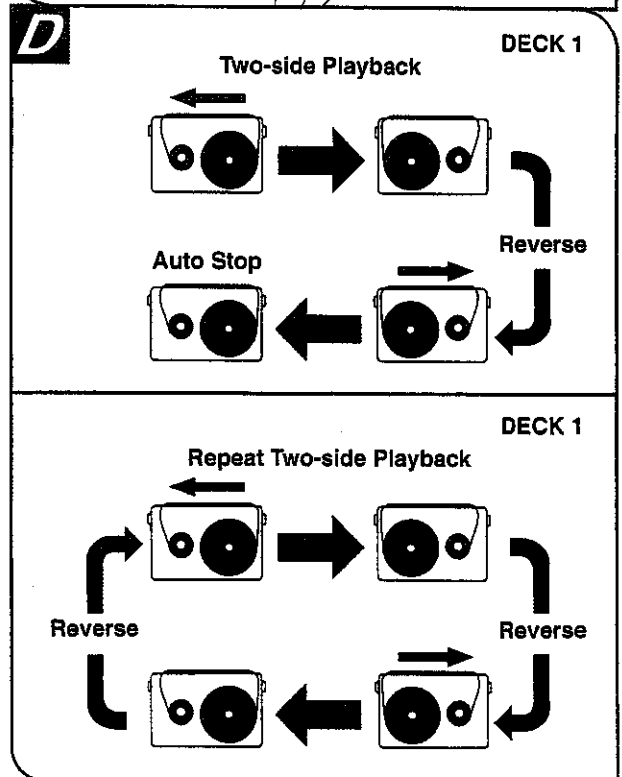
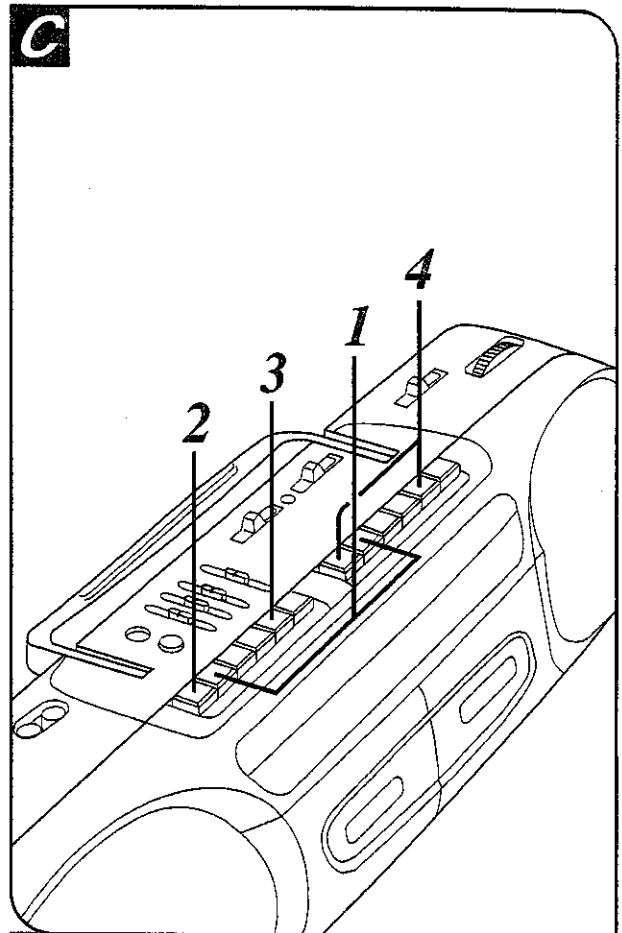
To listen to side A and side B repeatedly at Deck 1

Select "Repeat two-side REV MODE [ ]" of deck 1 before pressing PLAY of deck 1. Playback will be repeated until STOP/EJECT is pressed.

Direction memory function:

If STOP/EJECT is pressed during playback, the direction in which the tape was running will be memorized.

When PLAY is pressed once again, the same side of the tape will be played back.

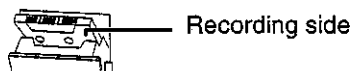


Making a Recording (deck 2 only)

You can use normal tapes only.
The recording level is automatically adjusted.
Recording and erasure of recording can be made only in the forward direction (Deck 2 only)

Recording from radio broadcasts **A**

- 1**  Press **STOP/EJECT** of deck 2 to insert the tape.



- 2** Tune into the desired Radio broadcast. (Follow the procedure 1 - 4 of "Listening to Radio Broadcasts".)

- 3**  Press **RECORD**.

When recording AM broadcasts:

The beat-proof function is able to reduce unwanted beat signals (whistle) which may occur.
Set B.P. to the position which gives best results.

To stop the recording:

Press **STOP/EJECT**.

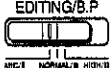
To briefly interrupt recording:



Press **PAUSE**.

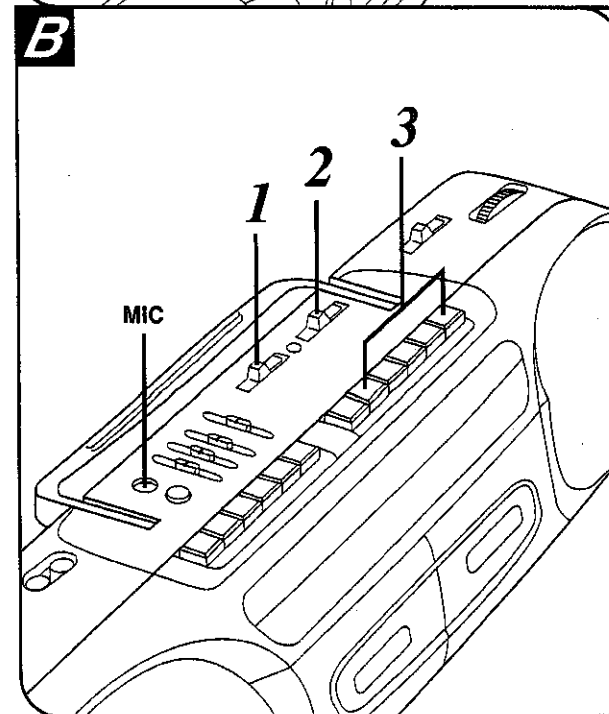
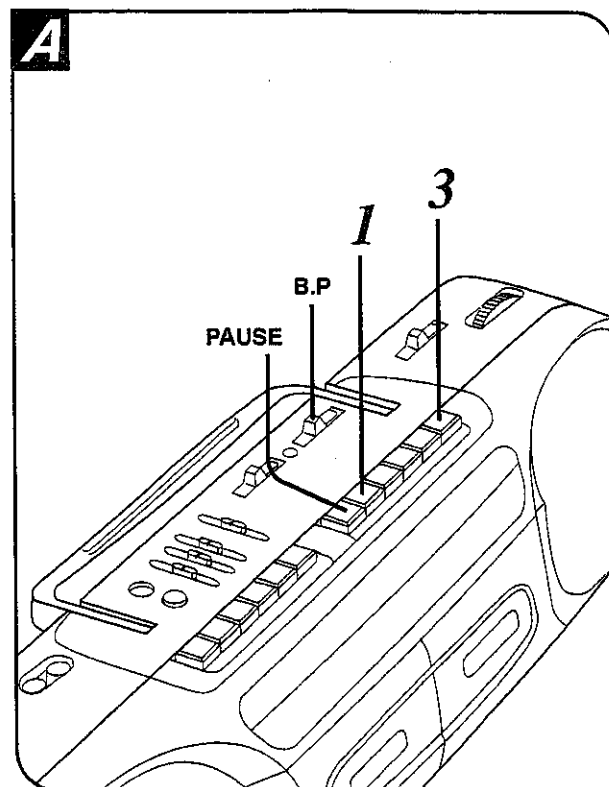
To resume recording, press **PAUSE** again.

Recording through the built-in microphone **B**

- 1**  Set **SELECTOR** to **TAPE/OFF**.

- 2**  Set **EDITING** to **MIC**.

- 3**   Insert the tape into deck 2, and press **RECORD**.



Pause button:

Before beginning a recording, first press and lock **PAUSE**. Then press **RECORD** (The tape will not move.) When ready to record, press **PAUSE** to release it. This will start tape movement for immediate recording. Do not use **PAUSE** to stop the tape for a long period of time. The unit is not turned off when **PAUSE** is pressed.

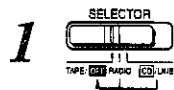
Monitoring:

The monitor system enables you to listen, through the speakers or headphones, to the sound as it is being recorded.
When recording from the built-in microphone the sound being recorded cannot be monitored.

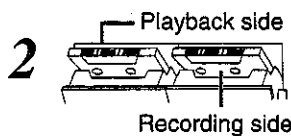
Making a Recording *(continued)*

Recording from deck 1 to deck 2 **C**

When PAUSE and **RECORD** of deck 2 are pressed, tape editing starts by pressing the deck 1 playback button. (Synchro-start function)



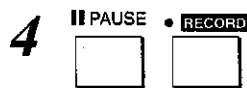
Set **SELECTOR** to "TAPE/**OFF**".



Insert the playback tape into deck 1 and the editing tape into deck 2.



Set **EDITING** to the desired position.
"NORMAL": Normal speed
"HIGH": High speed



Press **PAUSE** of deck 2, then press **RECORD**.



Press **PLAY** of deck 1.
Editing is started by means of the Synchro-Start function.

To stop editing:

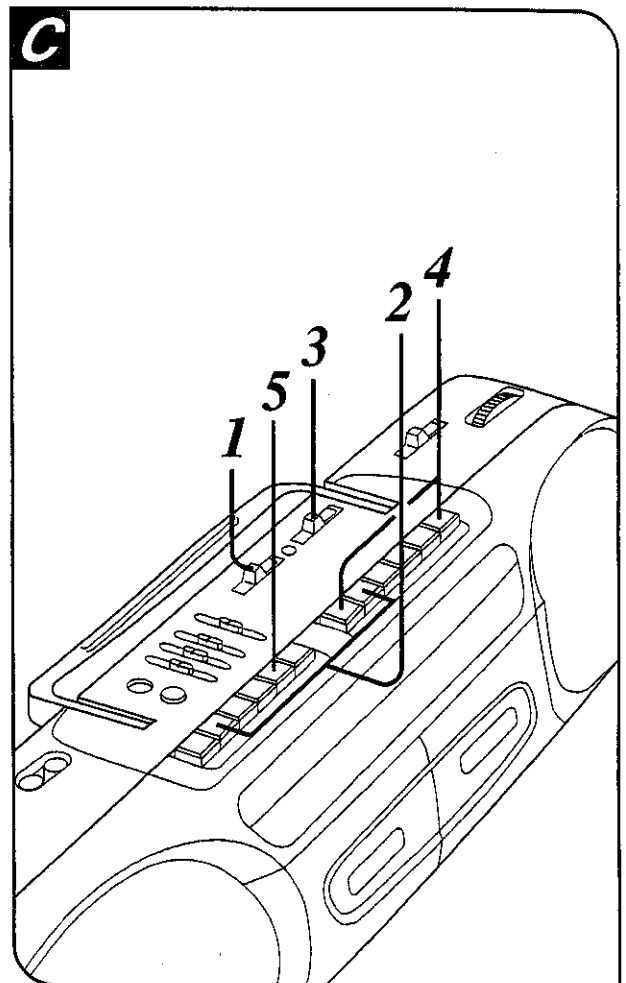
Press **STOP/EJECT** (deck 1 and deck 2).

- Do not change the tape speed during editing. The playback sound may flutter.
- Be sure to set **SELECTOR** to "TAPE/**OFF**" during editing. Do not change any other position.
- If the unit is brought near a TV set during recording, noise may be recorded due to the effects of the signals from the TV set. Maintain a distance of at least 1.5 meters between the unit and a TV set.

Erasure of tape

To erase a tape without re-recording, use the following procedure. (Make no connections to **CD**/LINE IN jacks)

- 1 Set **SELECTOR** to **CD**/LINE.
- 2 Insert the tape into deck 2 and press **RECORD**.



Recording from external equipment

- 1 Connect the output of the external equipment to **CD**/LINE IN jacks (Refer to page 4).
- 2 Set **SELECTOR** to "**CD**/LINE" and insert the recording tape into deck 2.
- 3 Press **PAUSE** of deck 2, then press **RECORD**.
- 4 Start playing the external equipment (ex. portable CD player).
- 5 Release **PAUSE**.

Care & Use

Concerning cassette tapes

Selection of cassette tapes

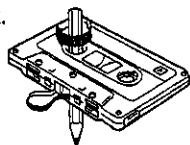
You can use normal tapes only.

Cassette tapes exceeding 90 minutes:

These tapes are handy for their long playback and recording time but be careful about repeatedly stopping and starting, rewinding and fast forwarding these tapes in short intervals as they are thin, tend to stretch and may become entangled in the mechanism.

If the tape loosens, take up the stack

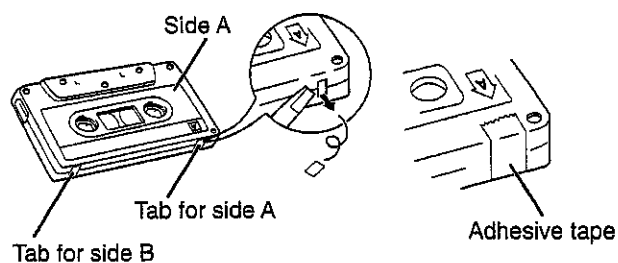
Tape stack may cause the tape to break.



To prevent erasure of recorded sounds

Remove the erase-prevention tabs with a screwdriver or a similar object.

To re-record on a protected cassette, cover the slot with adhesive tape.



Improper tape storage:

You can damage tapes if you store them in the following places:

- In high temperature [35°C (95°F) or higher] or high humidity (80% or higher) areas.
- In a strong magnetic field (near a speaker, on top of a TV, etc.)
This can erase a recording.
- Areas exposed to direct sunlight.

Tape head care

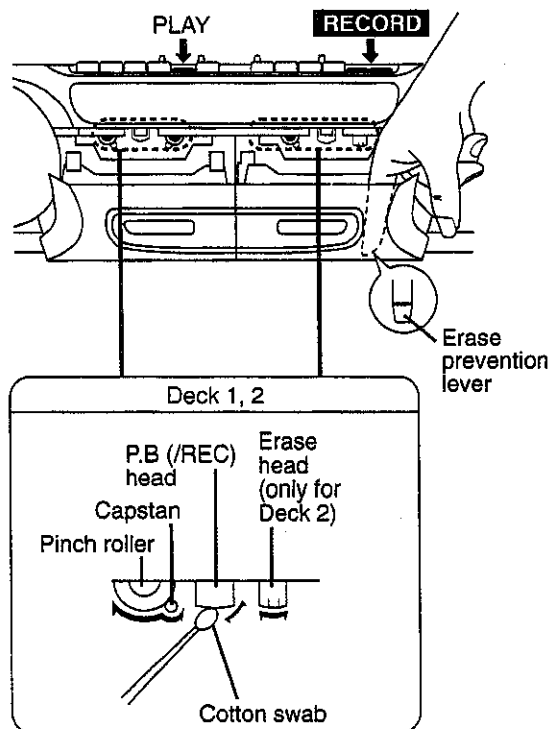
To assure sound quality for recording and playback, be sure to clean the tape heads after approximately every 10 hours of use.

1 Open the cassette compartment cover by pressing **STOP/EJECT**.

2 (Deck 1)
Press **PLAY**.

(Deck 2)
While pushing erase prevention lever downwards as shown, press **RECORD**.

3 Clean the head(s), pinch roller and the capstan with a cotton swab (or a soft, lint-free cloth) slightly moistened with isopropyl alcohol. Do not use any solution other than alcohol for head cleaning.



It is recommended that the head assembly be demagnetized if distortion or poor sound quality persists after cleaning the heads.

Demagnetize them using a demagnetizer available from an audio store.

Avoid contact of any type of metal objects or tools such as magnetic screwdriver with the Heads.

Technical Specifications

Radio

Frequency range: FM; 88 – 108 MHz
AM; 525 – 1705 kHz

Tape recorder

Track system: 4 track, 2 channel, stereo
Recording system: AC bias, magnet erase
Monitor system: Variable sound monitor
Frequency range: 70–12000 Hz (Normal)

General

Power requirement: AC; 230 – 240 V, 50 Hz
Power consumption;
16 W
Battery; 9 V
(six UM-1, R20/LR20
size batteries)

Power output: 20 W (10 W × 2) ... PMPO
8 W (4 W × 2) ... RMS (max.)

Speakers: 2 Woofers; 10 cm
2 Tweeters; 1.5 cm

Jacks:
Input; CD/LINE IN; 398 mV/47 kΩ
Output; HEADPHONES; 32Ω

Dimensions (W × H × D): 566 × 146 × 160 mm
Weight: 3.0 kg without batteries

Note:

Specifications are subject to change without notice.
Weight and dimensions are approximate.