

Monogram.

Use & Care Guide and  
Installation Instructions

for ZDIB50  
ZDIW50

Automatic Ice maker



*Monogram*.™

General Electric Company  
Louisville, KY 40225

*Monogram*.™

*Automatic Ice maker*

Pub. No. 49-6857  
Part No. 162D7745P002  
12-95 CG

---

## Introduction

Your new Monogram icemaker makes an eloquent statement of style, convenience and kitchen planning flexibility. Whether you chose it for its purity of design, practical features or assiduous attention to detail—or for all of these reasons—you'll find that your Monogram icemaker's superior blend of form and function will delight you for years to come.

The Monogram icemaker was designed to provide the flexibility to blend in with your kitchen cabinetry.

The information on the following pages will help you operate and maintain your icemaker properly.

For a listing of dealers—or if you have other questions—please call the GE Answer Center® (800.626.2000).

---

## Contents

Appliance Registration .....	3	Operating Instructions .....	5, 6
Care and Cleaning .....	7–10	Preparation .....	11–15
Changing the Light Bulb.....	10	Changing the Bin	
Condenser .....	7	Door Panel .....	12
Filtering & Treating Water...10		Changing the Lower	
Icemaker System.....	8	Access Panel .....	13
Inside Parts of the Icemaker...9		Leveling .....	11
Outside Surfaces .....	7	Location .....	11
Consumer Services .....	20	Custom Door	
Controls .....	6	and Access Panels .....	14
Features.....	6	Thermostat Calibrations.....	11
Installation Instructions .....	16–18	Unpacking the Icemaker .....	11
Electrical Requirements.....	16	Vacation and Moving .....	15
Free Standing Installation ....	16	Problem Solver .....	19
Grounding Instructions .....	16	Safety Instructions .....	4
Model and Serial Number		Warranty .....	21
Location .....	3, 6		

**Questions?**  
**Call GE Answer Center**  
**800.626.2000**

---

# HELP US HELP YOU...

## Read this guide carefully.

It is intended to help you operate and maintain your new icemaker properly.

Keep it handy for answers to your questions.

If you don't understand something or need more help, call:

**GE Answer Center®**

**800.626.2000**

**24 hours a day, 7 days a week**

## If you received a damaged icemaker...

Immediately contact the dealer (or builder) that sold you the icemaker.

## Save time and money.

### Before you request service...

Check the Problem Solver. It lists minor operating problems that you can correct yourself.

## Write down the model and serial numbers.

You'll see them on a plate on the left side of the ice bin.

These numbers are also on the Consumer Product Ownership Registration Card that came with your icemaker.

Before sending in the registration card, please write these numbers here:

---

Model Number

---

Serial Number

Use these model and serial numbers in any correspondence or service calls concerning your icemaker.

---

# IF YOU NEED SERVICE

To obtain service, see the Consumer Services page in the back of this guide.

We're proud of our service and want you to be pleased. If for some reason you are not happy with the service you receive, here are three steps to follow for further help.

**FIRST**, contact the people who serviced your appliance. Explain why you are not pleased. In most cases this will solve the problem.

**NEXT**, if you are still not pleased, write all the details—including your phone number—to:

Manager, Consumer Relations  
GE Appliances  
Appliance Park  
Louisville, KY 40225

**FINALLY**, if your problem is still not resolved, write:

Major Appliance Consumer Action Program  
20 North Wacker Drive  
Chicago, IL 60606

# IMPORTANT SAFETY INSTRUCTIONS

## Read All Instructions Before Using This Appliance.



**WARNING**—To reduce the risk of fire, electrical shock, or injury when using your icemaker, follow basic precautions including the following:

- **Never allow children to operate, play with, or crawl inside the icemaker.**
  - **Never clean icemaker parts with flammable fluids. The fumes can create a fire hazard or explosion.**
  - **For your safety: Do not store or use gasoline or other flammable vapors and liquids in the vicinity of this or any other appliance. The fumes can create a fire hazard or explosion.**
  - **Be sure your icemaker is properly installed and grounded by a qualified technician in accordance with the Installation Instructions.**
  - **Do not attempt to repair or replace any part of your icemaker unless it is specifically recommended in this guide. All other servicing should be referred to a qualified technician.**
- **It is your responsibility to be sure your icemaker:**
    - has been installed where it is protected from the elements.
    - is located so that the front is not blocked to restrict incoming or discharge air flow.
    - is properly leveled.
    - is located in a well ventilated area with temperatures above 55°F. (13°C.) and below 110°F. (43°C.). Best results are obtained at temperatures between 70°F. (21°C.) and 90°F. (32°C.).
    - is properly connected to a water supply and drain.
    - is connected only to the proper kind of outlet, with the correct electric supply and grounding. A 120 volt, 60 Hz., 15 amp fused electrical supply is required. **NOTE:** Time delay fuse or circuit breaker is recommended.
    - is not used by anyone unable to operate it properly.
    - is used only to do what icemakers are designed to do.
    - is properly maintained.

**SAVE THESE  
INSTRUCTIONS**

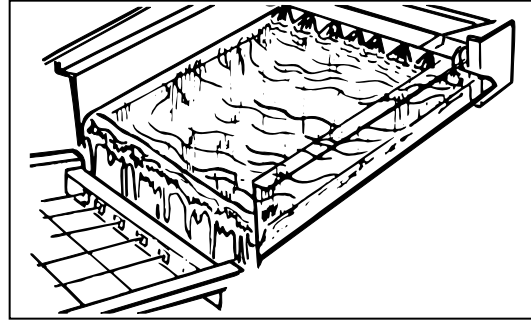
---

# OPERATING YOUR ICEMAKER

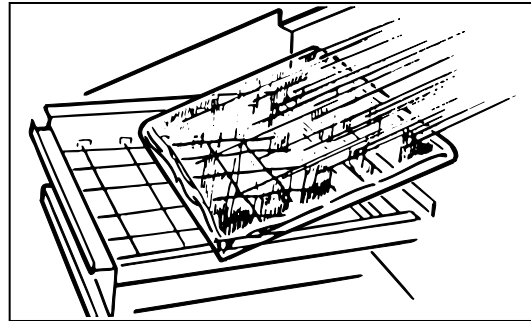
## How the Icemaker Works

1. Water is constantly circulated over a freezing plate. As the water freezes into ice, the minerals in the water are rejected. This produces a sheet of ice with a low mineral content.

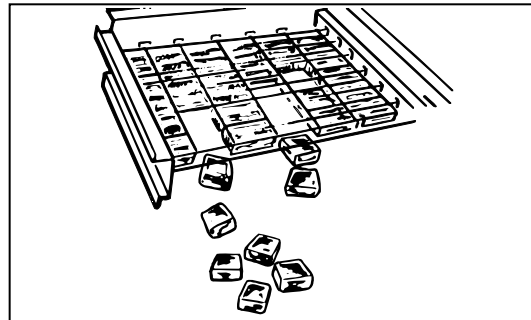
**NOTE:** The icemaker is designed to make clear ice from the majority of water sources on a daily basis. If your results are unsatisfactory, water may need to be filtered or treated. See Filtering and Treating Water in the Care and Cleaning section.



2. When the desired thickness is reached, the ice sheet is released and slides onto a cutter grid. The grid divides the sheet into individual cubes.
3. The water containing the rejected minerals is drained after each freezing cycle.
4. Fresh water enters the machine for the next icemaking cycle.



5. Cubes fall into the storage bin. When the bin is full, the icemaker shuts off automatically and restarts when more ice is needed.



---

## Notes About This Icemaker

- Water enters only during the defrost cycle. Therefore the first cycle will be completed without water in the system.
- As the room and water temperatures vary, so will the amount of ice produced. This means that higher operating temperatures will result in reduced ice production.
- The icemaker will shut off when ice in the storage bin touches the bin thermostat well and will automatically cycle to keep the bin full.
- The storage bin is not refrigerated and some meltage will occur. This, too, varies with the room temperature.
- The icemaker needs good air circulation to perform efficiently. Keep the front grille and the condenser clean.
- The water system, including the filter screen in the water inlet solenoid valve, needs to be cleaned periodically for good circulation. Instructions are located on the inner door panel.

*(continued next page)*

# OPERATING YOUR ICEMAKER

(continued)

## Setting the Controls

1. Select ice thickness. The icemaker has been preset to produce ice approximately 1/2" (13 mm) thick, while operating in a room temperature of 70°F. (21°C.).

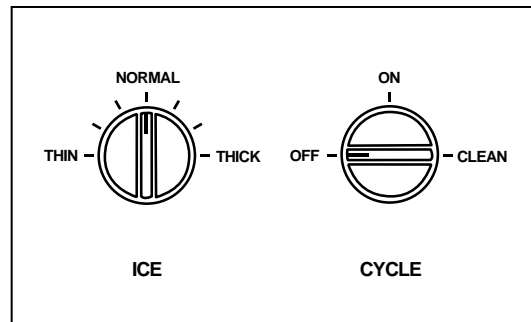
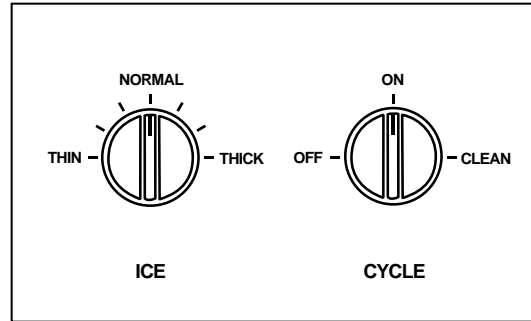
Operation in different room temperatures may require readjusting the control toward either the "THICK" or "THIN" setting.

Best operation will be obtained with ice 1/2" (13 mm) to 5/8" (16 mm) thick.

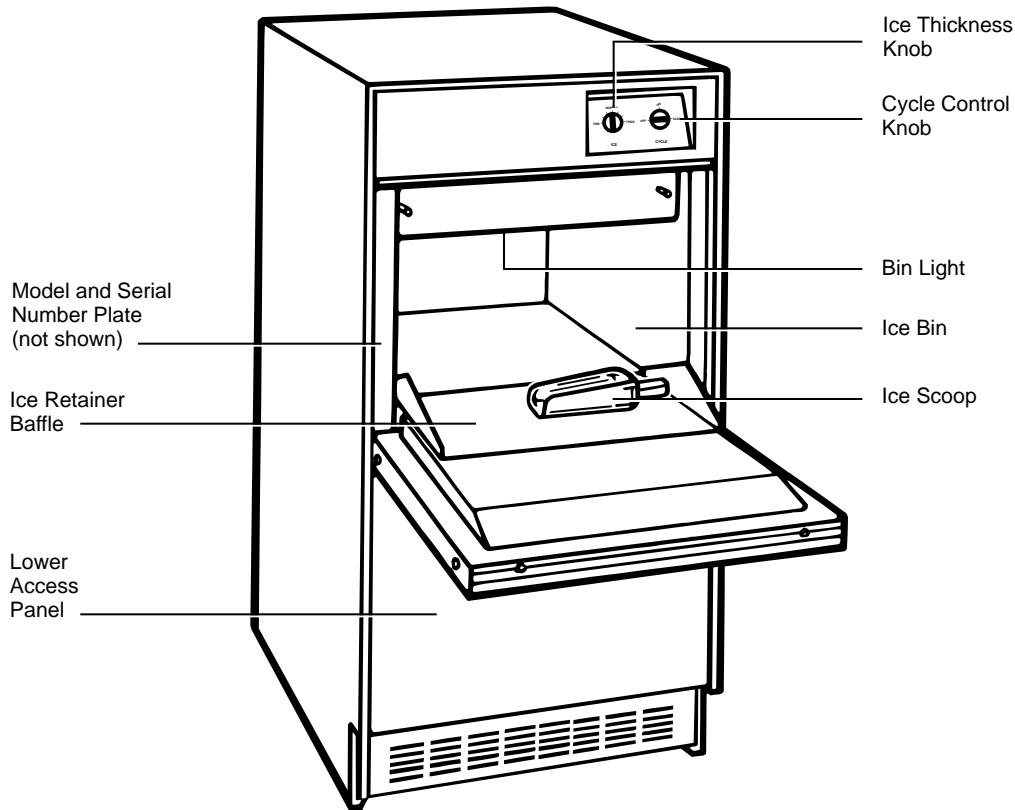
If operating in a warm room (above 90°F. [32°C.]) DO NOT set the control to maximum thickness or the icemaker may malfunction.

2. To start the normal icemaking cycle, turn the Cycle Control Knob to "ON."
3. To stop icemaker operation, turn Cycle Control Knob to "OFF."

The "CLEAN" setting is used whenever solutions are circulated through the icemaker for cleaning. Only the water pump operates at this setting. See Cleaning the Icemaker System in the Care and Cleaning section for specific instructions.



## FEATURES OF YOUR ICEMAKER



---

# CARE AND CLEANING

Periodically inspect and clean the icemaker to keep it operating at peak efficiency and to prevent premature failure of system components.

Both the icemaking system and the air-cooled condenser need to be cleaned regularly.

The minerals rejected from the circulating water during the freezing cycle will eventually form a hard scaly deposit in the water system which prevents a rapid release of the ice from the freezing plate.

Clean the ice and water system periodically to remove mineral scale build-up. Frequency of cleaning depends on water hardness. With hard water (15 to 20 grains/gal.), cleaning may be required as frequently as every six months.

## A dirty or clogged condenser:

- prevents proper air flow.
- reduces icemaking capacity.
- causes higher than recommended operating temperatures which may lead to component failure.

---

## Cleaning Outside Surfaces

Wash the outside enamel surfaces and gaskets with warm water and mild soap or detergent. Rinse and dry. Regular use of a good household appliance cleaner and wax will help protect the finish.

**Do not use abrasive cleaners on enamel surfaces as they may scratch the finish.**

---

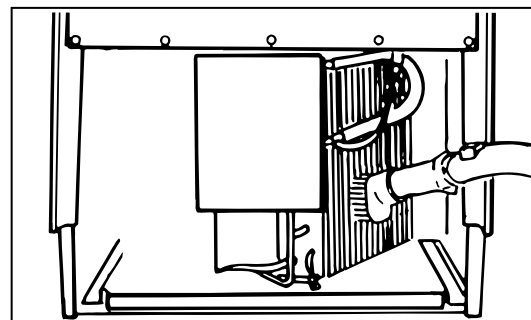
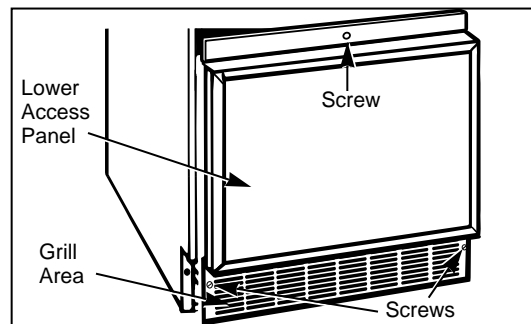
## Cleaning the Condenser



### WARNING:

- **Be sure the icemaker is OFF and disconnected from the main power supply. The icemaker could suddenly start if not disconnected. Condenser fan rotation, sharp condenser fins and hot tubing could cause personal injury.**
- **Condenser fins can bend easily. Use care when vacuuming the condenser to keep from bending the fins.**

1. Disconnect the electrical power supply to the icemaker and turn the Cycle Control Knob to "OFF."
2. Remove the screw from the top of the lower access panel and the two screws from the grille area of the lower access panel.
3. Pull forward at the bottom, then down to remove the panel.
4. Remove dirt and lint from the condenser fins and the icemaker compartment with a brush attachment attached to a vacuum cleaner.
5. Replace the lower access panel and screws. **The top of the access panel needs to be secured under the two metal tabs before replacing the screws.**
6. Plug icemaker in and turn the Cycle Control Knob to "ON."



(continued next page)

# CARE AND CLEANING

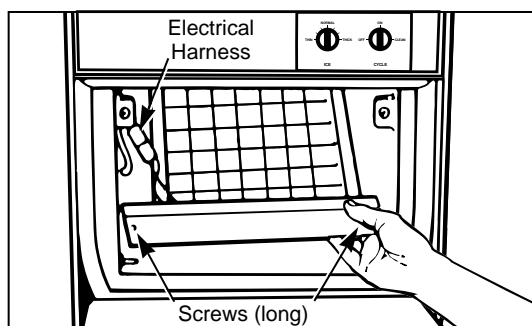
(continued)

## Cleaning the Icemaker System



**WARNING:** Most ice machine cleaners are citric or phosphoric acid which can cause irritation even after dilution. In case of contact with eyes, flush eyes thoroughly with fresh water and contact a physician immediately. In case of contact with skin, rinse well with water. If *swallowed*, give large amounts of water and contact a physician immediately. Do not induce vomiting. **KEEP OUT OF REACH OF CHILDREN.**

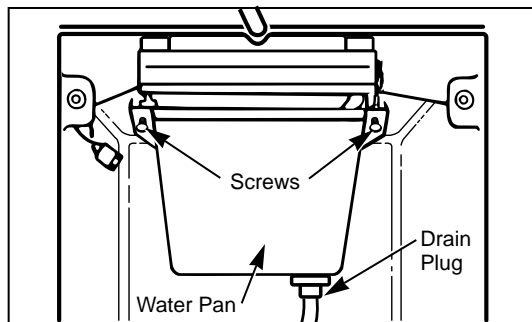
1. Turn the Cycle Control Knob to "OFF."



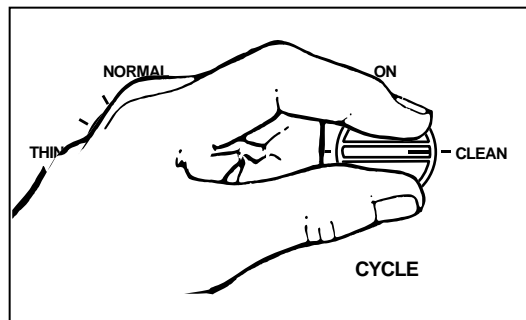
2. Remove the two screws and slide the ice cutter grid forward, out of the two slots near the water pan.
3. Unplug the electrical harness.

**CAUTION:** Any ice on the grid should be melted under running warm water. Attempting to pick the ice slab off the grid may stretch and damage the grid wires.

4. Remove all ice from the storage bin and the freezing plate.



5. Drain the water pan by removing the drain plug and then replace the plug.



6. Pour 1/2 gallon (1.9 L) of hot tap water into the water pan\* and turn the Cycle Control Knob to "CLEAN." This warms up the system to make the cleaning solution more effective. Let circulate for five minutes. While tap water is circulating, prepare the cleaning solution. Mix: 6 oz. (170 g) powdered citric or phosphoric acid into 1/2 gallon (1.9 L) hot water. (Citric and phosphoric acid crystals are available or can be ordered from many pharmacies or scientific supply houses.)

Commercial ice machine cleaners (liquid) are also available from your dealer or refrigeration parts supply stores. Mix according to instructions on label (total quantity 1/2 gallon [1.9 L]).

7. Turn the Cycle Control Knob to "OFF" and drain the water pan. (See step 5.)
8. Turn the Cycle Control Knob to "CLEAN" and slowly pour the hot cleaning solution into the water pan.\* (If the solution foams while pouring, wait until the foaming stops.) Then add the balance of the solution.

Allow the solution to circulate until the scale has dissolved (15 to 20 minutes). Severe scale build-up may require repeated cleaning with a fresh quantity of cleaning solution.

To clean scale off the side flanges of the freezing plate, use rubber gloves and scrub with a non-abrasive plastic scrubbing pad or nylon brush dipped in cleaning solution.

9. Keep rubber gloves on to drain the cleaning solution. Turn the Cycle Control Knob to "OFF" and drain the water pan. (See step 5.)
10. Replace the plug and add 1/2 gallon (1.9 L) of fresh water.\* Set Cycle Control Knob on "CLEAN," circulate five minutes and drain. Repeat rinsing process.

\*For easier pouring of water and cleaning solution, use a 1- or 2-cup container.



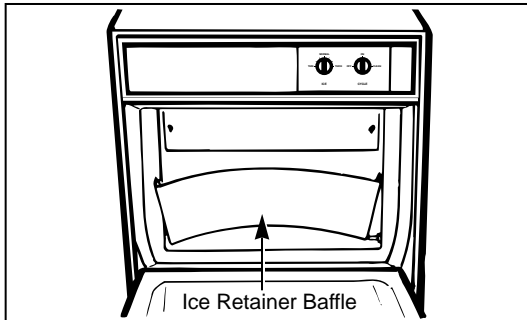
## Cleaning the Inside Parts of the Icemaker



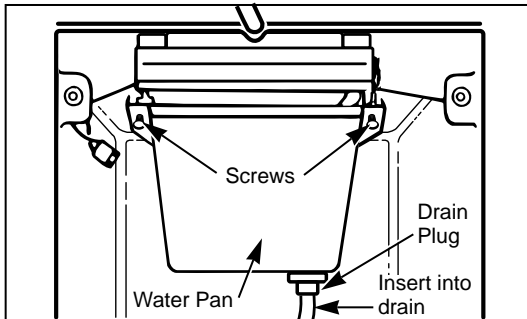
### WARNING:

- Do not operate the icemaker with the lower access panel or control panel removed. Electrical shock or personal injury could result.
- Do not wash plastic parts in dishwasher. They cannot withstand temperatures above 145°F. (63°C).

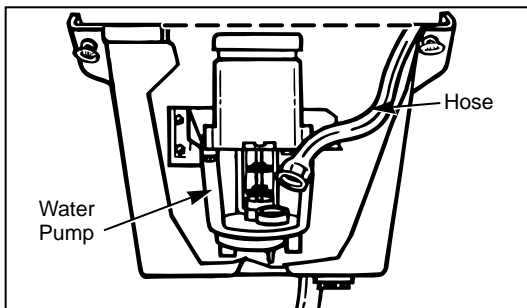
1. Turn the Cycle Control Knob to “OFF” and disconnect the electrical power supply to the machine. Open the storage bin door and remove any ice that is in the bin.



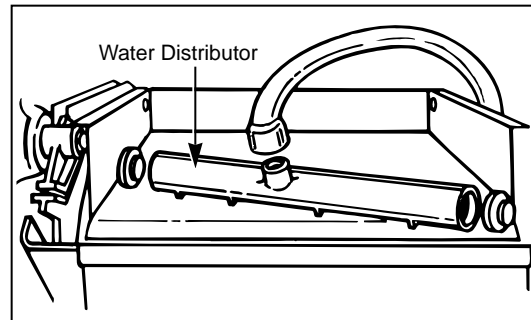
2. Remove the ice retainer baffle by flexing it and then slide it off the studs.
3. Remove the ice cutter grid by unscrewing the two screws, sliding the grid forward and unplugging the electrical wire harness.



4. Remove the water pan by unscrewing and removing the two screws and washers.



5. Remove the hose from the water pump.



6. Remove the water distributor from the freezing plate. It is held in place by rubber end caps. Remove the inlet hose and clean all water distributor holes and the small orifice in the inlet side of the distributor. When replacing the distributor, make sure the end caps are located in the evaporator flange detents and that the water distributor holes face down.
7. Wash the interior components (ice retainer baffle, cutter grid, water pan, inlet hose and water distributor) and the storage bin, door gasket and ice scoop with mild soap or detergent and warm water. Rinse in clean water. These components should also be cleaned in a solution of 1 oz. (29.6 ml) of chlorine bleach in 1 gallon (3.8 L) warm water. Rinse again thoroughly in clean water.
8. Replace the interior components: water distributor, inlet hose and water pan.
9. Check the following:
  - The hose from the water valve is in the water pan.
  - The rubber drain plug is in the water pan.
  - The water distributor is seated and the holes are facing down.
  - The hose is reconnected to the pump and the water distributor.
  - The hose from the water pan is inserted into the storage bin drain opening.
10. Reconnect the electrical harness, slide the cutter grid into place and tighten the screws. Replace the ice retainer baffle.
11. Turn Cycle Control Knob to “ON.”

(continued next page)

---

# CARE AND CLEANING

(continued)

## Filtering and Treating Water

In most areas it will be beneficial to filter or treat the water being supplied to the icemaker. It can improve the reliability of the icemaker, reduce water system maintenance and produce the best quality of ice.

The installation of a polyphosphate feeder will generally reduce scale build-up and the icemaker will require less frequent cleaning.

Municipal water systems are generally treated with chlorine to maintain a safe drinkable water supply. Activated carbon filters will sufficiently remove the residual chlorine from the water to reduce surface staining of stainless steel materials in the icemaker.

For more information on filtering and treating the water, see the dealer from whom you purchased your icemaker.

---

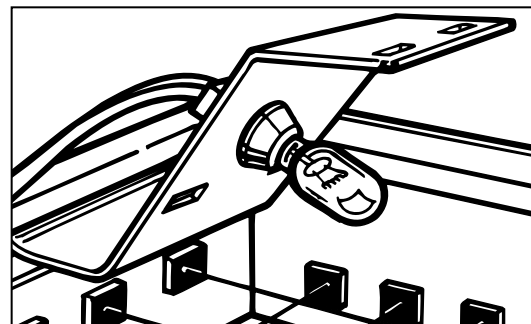
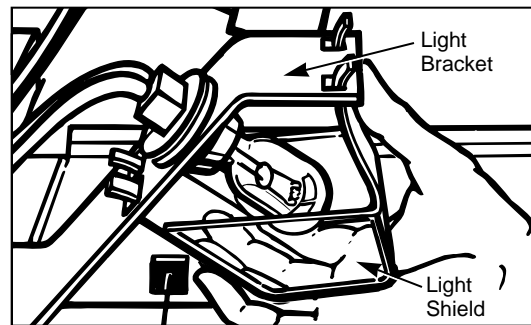
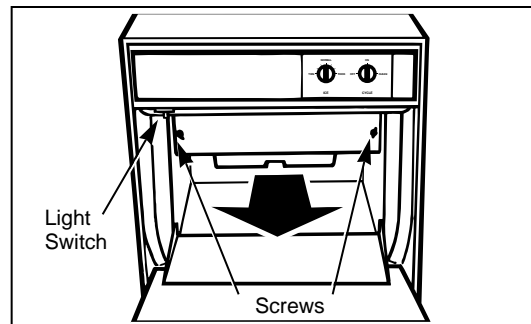
## Changing the Light Bulb



**WARNING:** Before removing the light bulb, either unplug the icemaker or disconnect the electricity leading to the icemaker at the main power supply. Shock and injury can occur if electricity remains connected.

The icemaker has a light bulb in the top of the storage bin. To replace it, open the bin door and follow these instructions:

1. Disconnect the icemaker from the power supply.
2. Remove the two screws and slide the ice cutter grid forward, out of the two slots near the water pan. Set the ice cutter grid on the bin door.
3. Press the front of the light shield in while pulling down to remove it from the light bracket.
4. Remove the bulb. Replace it with a 15-watt bayonet base type bulb.
5. Replace the light shield, ice cutter grid and two screws.
6. Reconnect the power supply.

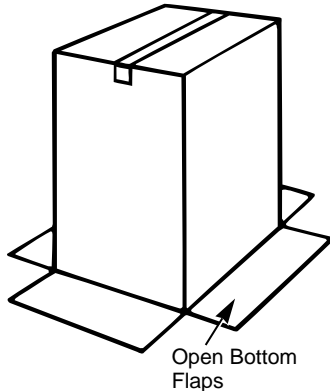


---

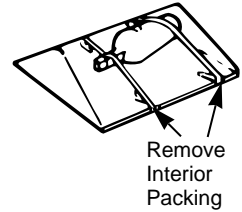
# PREPARATION

## Unpacking the Icemaker

1. Lay the carton on rear face and break open the bottom flap.
2. Set the carton upright with all four flaps outward.
3. Lift carton up and off icemaker.



4. Remove all tape and packaging material from the outside and inside of the cabinet.
5. Remove the front grille; take out the screws securing the grille at the bottom and lift it free of the cabinet.



6. Turn the fan by hand to make certain it moves freely.

---

## Location

THIS ICEMAKER **MUST** BE INSTALLED IN AN AREA PROTECTED FROM THE ELEMENTS, SUCH AS WIND, RAIN, WATER SPRAY OR DRIP.

1. Place the icemaker so the front side will be completely unobstructed to provide proper air flow.
2. The area should be well ventilated with temperature above 55°F. (13°C.) and below 110°F. (43°C.). Best results are obtained between 70°F. (21°C.) and 90°F. (32°C.).
3. Provision for electricity, water and drain connections should be determined.
4. The icemaker may be closed in on the top and three sides, but the front **MUST BE** unobstructed for air circulation and proper operation. Installation should be such that the cabinet can be moved forward for servicing, if necessary.

## Leveling

1. After placing the icemaker into position, check to make certain the icemaker is level side to side and front to back.
2. Accurate leveling is essential for proper operation.
3. The icemaker should be shimmed so that it is solid as well as level. The shims should be of hard permanent type material such as masonite.
4. Compliance with National Sanitation Foundation standards requires that this type of product be sealed to the floor at the bottom rail in order to prevent contamination from spills or the entrance of vermin. Therefore, we recommend that when installing the icemaker you seal it to the floor in accordance with those standards. A silicone-type sealer is recommended.

---

## Thermostat Calibrations

If the icemaker is installed above two thousand feet of altitude, the bin and evaporator thermostats must be adjusted to a warmer setting. Disconnect electricity, remove thermostat and follow the directions for turning the altitude adjustment screw as shown in the label on each thermostat.

*(continued next page)*

---

# PREPARATION

(continued)

## Changing the Bin Door Panel

You can easily change the color of the front panel on the storage bin door. Two colors are available: black and white.

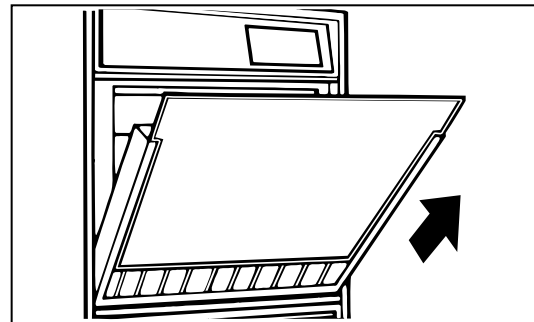
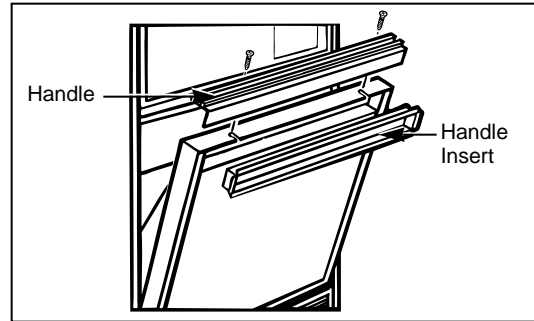
### To change the panel:

1. Open the storage bin door. Remove the two screws on the top of the door which hold the handle.
2. Loosen the screws in both of the side trim pieces.
3. Remove the handle and the handle insert.
4. Carefully slide the panel out. You will find the reverse side is black. For units with black panels showing, the reverse side will be white.
5. Choose the color you want to show and carefully slide the panel back into the door.

**NOTE:** Be careful not to scratch the panel as it is inserted.

6. Replace the handle insert and tighten the screws in both side trim pieces. Replace the handle and screws.

**NOTE:** You can make a decorative wood front to match existing cabinets. See the section on Custom Door and Access Panels.

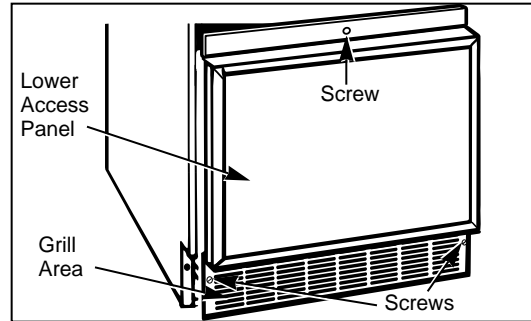


## Changing the Lower Access Panel

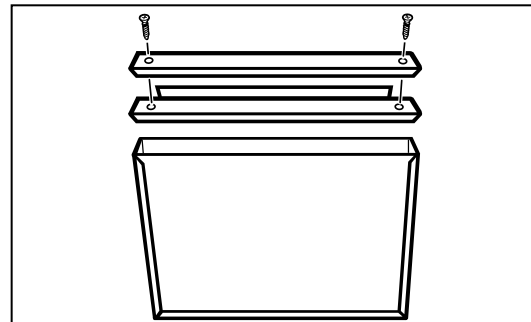


**WARNING: Do not operate the icemaker with the lower access panel or control panel removed. Electrical shock or personal injury could result.**

1. Remove the screw from the top of the lower access panel and the two screws in the bottom grille area. Pull forward at the bottom, then down to remove the panel.



2. Remove the two screws from the top panel trim and remove the top trim.

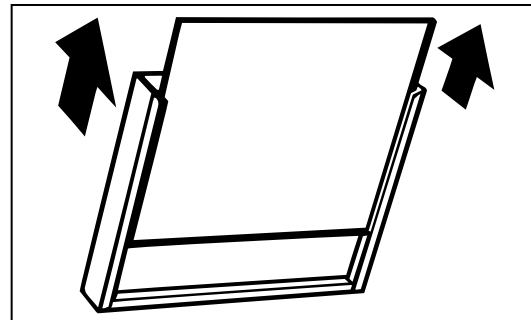


3. Carefully slide the panel out.

4. Choose the color you want to show and carefully slide the panel back into the lower access panel.

**NOTE:** Be careful not to scratch the panel as it is inserted.

5. Replace the top trim and screws. Replace the lower access panel assembly and screws. **The top of the access panel needs to be secured under the two metal tabs before replacing the screws.**



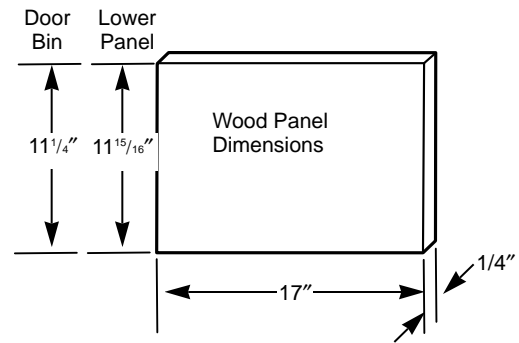
**NOTE:** You can make a decorative wood front to match existing cabinets. See the section on Custom Door and Access Panels.

*(continued next page)*

# CUSTOM DOOR AND ACCESS PANELS

## Custom Door and Access Panels—1/4" Thick

Cut panels to the same size as the production metal panel.



## Custom Door and Access Panels—3/4" Thick

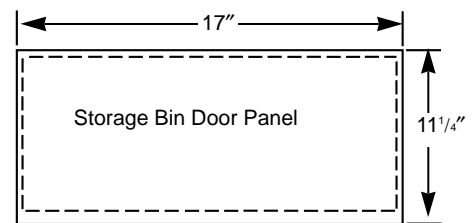
These door and access panels—both raised and flat design—should be constructed in the same manner as typical cabinet doors or drawers.

### Storage bin door panel:

- Cut the panel 17" wide x 11 1/4" high.
- Rout the top and both sides 5/16" wide, 1/2" deep for a total thickness of 1/4".
- Rout the bottom of the panel 1" wide, 1/2" deep for a total thickness of 1/4". This will allow the door to open without binding against the lower panel. For a custom appearance, consider tapering this 1" rout.

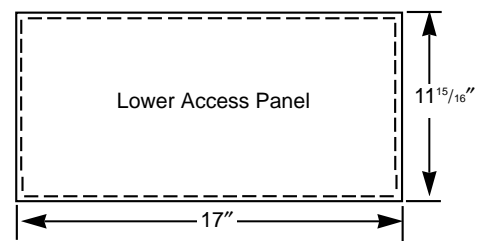
### Lower access panel:

- Cut the panel 17" wide x 11 15/16" high.
- Rout all four sides 5/16" wide and 1/2" deep for a total thickness of 1/4".



Rout 1/2" deep, 1" wide across bottom  
Rout 1/2" deep, 5/16" wide top and sides

Rout 1/2" deep, 5/16" wide on all sides

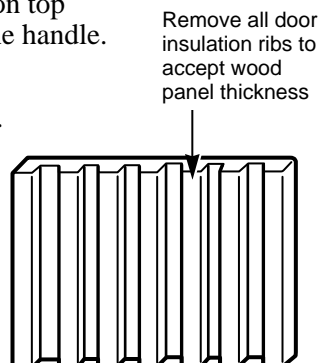


3/4" Thick Panels

## Install Custom Door and Access Panels

### To install the storage bin door panel:

1. Open the storage bin door.
2. Remove the two screws on top of the door which hold the handle.
3. Remove the handle.
4. Slide the metal panel out.
5. Break off the ribs on the door insulation to allow for the wood thickness.
6. Slide the wood panel into the door frame.
7. Replace the handle and screws.



### To install the lower access panel:



**WARNING: Make sure the icemaker is disconnected from the main power supply before removing the lower access panel. Failure to do so could result in electric shock or personal injury.**

1. Remove the screw at the top of the lower access panel assembly and the two screws at the bottom that hold the lower access panel assembly to the icemaker.
2. Remove the two screws from the top panel trim.
3. Slide the metal panels and spacers out.
4. Slide the wood panel into the door frame.
5. Replace the top of the panel assembly.

**NOTE: Make sure the galvanized panel is replaced in back of the panel assembly.**

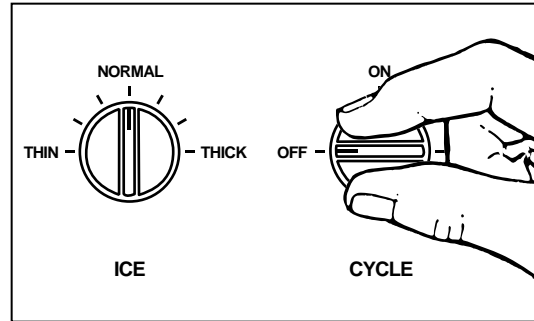
## Vacation and Moving



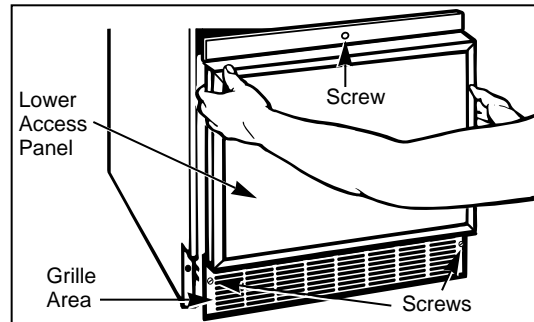
**WARNING:** Make sure the icemaker is disconnected from the main power supply before removing the lower access panel. Failure to do so could result in electric shock or personal injury.

### To shut down the icemaker:

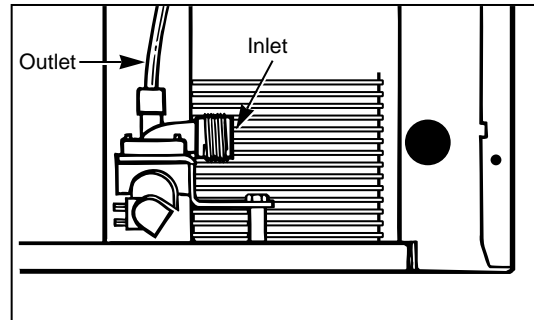
1. Disconnect the electrical power supply to the icemaker and turn the Cycle Control Knob to "OFF."
2. Remove all ice from the storage bin.
3. Shut off the water supply.
4. Remove the screw from the top of the lower access panel and the two screws from the grille area of the lower access panel, then remove the panel. Pull forward at the bottom, then down.



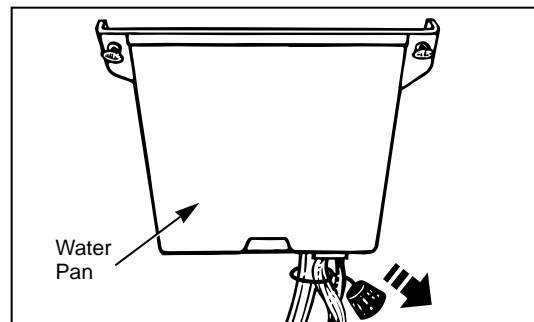
5. Disconnect the inlet and outlet lines to the water valve. Allow these lines to drain and then reconnect to the valve.
6. Replace the lower access panel and screws. **The top of the access panel needs to be secured under the two metal tabs before replacing the screws.**



7. Remove water from the drain lines and drain water pan.
8. Before using again, clean the icemaker and storage bin.



**NOTE:** All components of the icemaker are permanently lubricated at the factory. They should not require any additional oiling throughout the normal life of the machine.



---

# FREE STANDING INSTALLATION

## For the Installer

When this icemaker is installed free standing (not under a counter) we strongly recommend that the bottom rear corners of the icemaker be fastened to the floor to prevent accidental tipping.

---

## INSTALLATION REQUIREMENTS

### IMPORTANT...Please Read Carefully

### For the Electrician—Electrical Requirements

A 115 Volt, 60 Hz, AC only, 15 Amp fused electrical supply is required (time delay fuse or circuit breaker is recommended). It is recommended that a separate circuit, serving only this appliance, be provided. **DO NOT** use an extension cord.

**ELECTRICAL GROUND IS REQUIRED ON THIS APPLIANCE.**

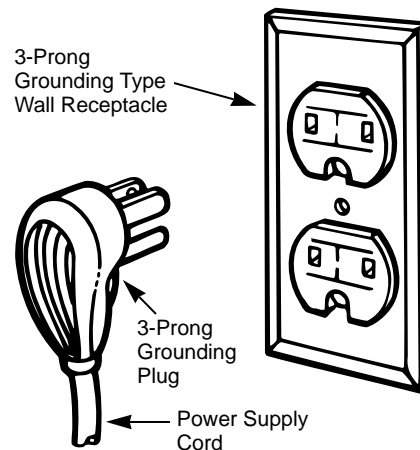
---

### Recommended Grounding Methods

**DO NOT, UNDER ANY CIRCUMSTANCES, REMOVE THE POWER SUPPLY CORD GROUND PRONG.**

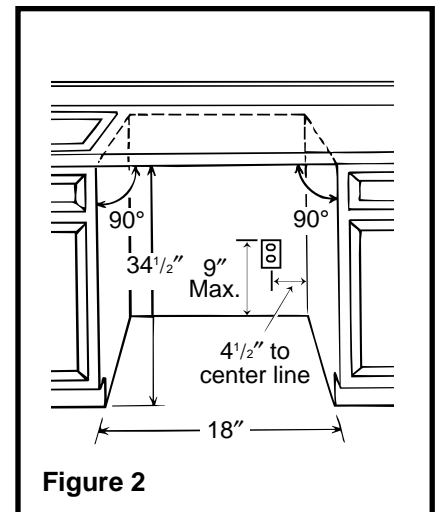
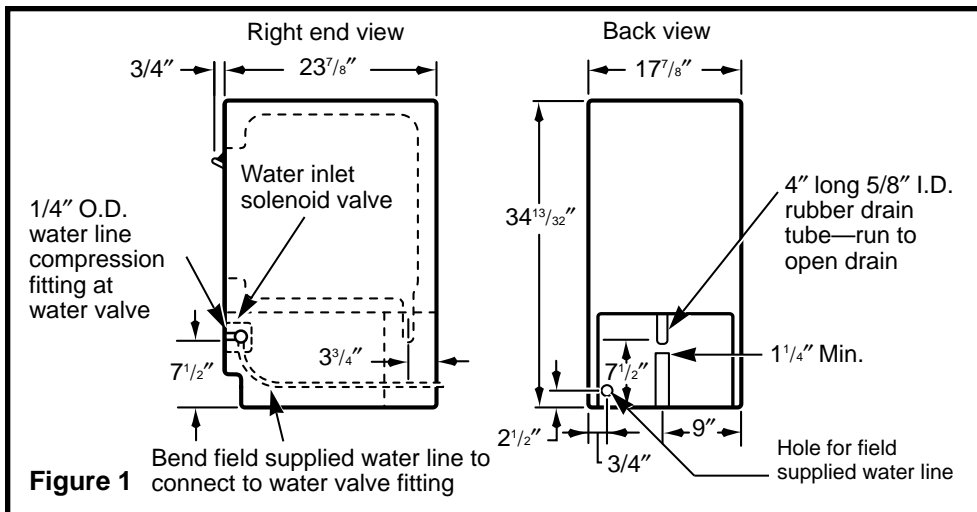
**For your personal safety, this appliance must be properly grounded.**

This appliance is equipped with a power supply cord having a 3-prong grounding plug. To minimize possible shock hazard, the cord must be plugged into a mating 3-prong grounding type wall receptacle, grounded in accordance with the National Electrical Code and local codes and ordinances. If a mating wall receptacle is not available, it is the personal responsibility and obligation of the customer to have a properly grounded 3-prong wall receptacle installed by a qualified electrician.





# INSTALLATION INSTRUCTIONS



## UTILITIES

### OBSERVE LOCAL CODES

Each installation is unique but will require:

- A cold water inlet of 1/4" O.D. soft copper tubing and a shutoff valve.
- Either a gravity drain system or a sump pump to lift the water to an existing drain.
- An electrical branch circuit of 115 volt, 60 Hz. 1 phase, with a 15 amp delayed action fuse or circuit breaker.

## FOR THE PLUMBER

### Connect to water. (Observe local codes.)

- Use 1/4" O.D. soft copper tubing for the cold water supply.
- Provide a convenient manual shutoff valve in the water line.
- Position the tubing so it can enter the access hole located in the right-hand rear of the icemaker cabinet. The tubing should extend beyond the cabinet front so when the icemaker is pushed back in position it will reach the water inlet location in the front. See Figure 1.

**NOTE:** Always purge the water line before making the final connection to the inlet of the water valve to prevent possible water valve malfunction.

With the icemaker in its permanent location, bend the tubing to meet the connection at the water valve. The garden hose threaded compression fitting is found in the parts bag. This joint provides a convenient disconnect for service. Be sure the tubing is clear of compressor, to prevent rattle.

## LEVELING

- After placing the icemaker into position, check to make certain the icemaker is level side to side and front to back.
- Accurate leveling is essential for proper operation.
- The icemaker should be shimmed so that it is solid as well as level. The shims should be of hard permanent type material such as masonite.
- Compliance with National Sanitation Foundation standards requires that this type of product be sealed to the floor at the bottom rail in order to prevent contamination from spills or the entrance of vermin. Therefore, we recommend that when installing the icemaker you seal it to the floor in accordance with those standards. A silicone-type sealer is recommended.

## ALTERNATE METHOD

**If a drain connection directly below the drain tube outlet is not available, install a UL-listed drain pump in the rear compartment of the icemaker.**

### Drain pump specifications:

- UL-listed and have a UL-listed, 120VAC, 3-wire grounded service cord
- Overall outside dimensions (maximum): 15" wide x 6" deep x 9 1/2" high
- Pump flow rate (minimum): 24.0 gph (0.4 gpm) @ 12 feet lift
- Operating temperature range 55°F. to 110°F. (13°C. to 43°C.)

(continued next page)

# INSTALLATION INSTRUCTIONS

(continued)

## **DRAIN PUMP**

- When the drain connection is below the level of the icemaker, a drain pump may be used to lift the water to an available drain. Use only an approved drain pump kit ZDK50 from your dealer.
- Complete installation instructions are included with the drain pump kit.

## **CHECK OPERATION**

- Start the icemaker by turning the service switch to “ON” and opening the line water valve.
- **NOTE:** Left is “OFF”—Middle is “ON”—Right is “CLEAN.” In “CLEAN” position, only the pump operates.
- Check the condenser fan to make sure it is revolving.
- Water will not enter the pump pan until the freezing plate gets cold and the icemaker goes into a harvest cycle.
- Check for even water flow over the freezing plate. The icemaker must be level for proper operation.
- Check for desired cube thickness and after 24 hours adjust if necessary. Maximum ice yield will be obtained with ice thickness at 1/2” to 5/8”.
- Replace the grille.

# QUESTIONS? USE THIS PROBLEM SOLVER

PROBLEM	POSSIBLE CAUSE
ICEMAKER DOES NOT RUN	<ul style="list-style-type: none"> <li>• Cycle Control Knob must be in the “ON” position.</li> <li>• Check to see that the power cord is plugged in.</li> <li>• Have you checked your home’s main fuses or circuit breaker box?</li> <li>• Room temperature must be above 55°F. (13°C.). Otherwise, the bin thermostat may sense the cold room temperature and shut off even though the bin is not full of ice. Also, the icemaker may not restart once it does shut off.</li> </ul>
ICEMAKER RUNS BUT PRODUCES NO ICE	<ul style="list-style-type: none"> <li>• Cycle Control Knob must be in the “ON” position.</li> <li>• Check water supply to make sure it is open.</li> <li>• If the icemaker is operated at an elevation of 2,000 feet or more above sea level, both the bin thermostat and ice thickness thermostat need to be recalibrated. See the Installation Instructions.</li> </ul>
ICEMAKER RUNS BUT PRODUCES VERY LITTLE ICE	<ul style="list-style-type: none"> <li>• Room temperature may be extremely high, more that 90°F. (32°C.). In this case it is normal for ice production to be low.</li> <li>• Dirt or lint may be blocking the air flow through the finned condenser. Condenser needs to be cleaned.</li> <li>• Check to see if the icemaker has a scale build-up in water and freezing system. Clean if necessary.</li> </ul>
GRID IS NOT CUTTING ICE SHEETS	<ul style="list-style-type: none"> <li>• Check the grid harness plug to make sure the connection is secure.</li> </ul>
TASTE IN ICE CUBES	<ul style="list-style-type: none"> <li>• There may be an unusually high mineral content in the water supply. Water may need to be filtered or treated.</li> <li>• Do not store any foods in the ice bin.</li> <li>• Packaging material not all removed.</li> </ul>

**If you need more help...call, toll free:  
GE Answer Center®, 800.626.2000  
consumer information service**

---

# We'll Be There

With the purchase of your new GE appliance, receive the assurance that if you ever need information or assistance from GE, we'll be there. All you have to do is call—toll-free!

---

## **GE Answer Center®** **800.626.2000**

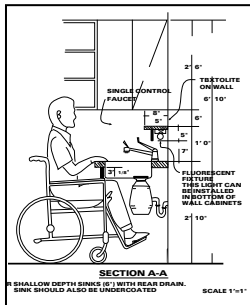
Whatever your question about any GE major appliance, GE Answer Center® information service is available to help. Your call—and your question—will be answered promptly and courteously. And you can call any time. GE Answer Center® service is open 24 hours a day, 7 days a week.

---

## **In-Home Repair Service** **800-GE-CARES (800-432-2737)**

A GE consumer service professional will provide expert repair service, scheduled at a time that's convenient for you. Many GE Consumer Service company-operated locations offer you service today or tomorrow, or at your convenience (7:00 a.m. to 7:00 p.m. weekdays, 9:00 a.m. to 2:00 p.m. Saturdays). Our factory-trained technicians know your appliance inside and out—so most repairs can be handled in just one visit.

---



## **For Customers With Special Needs...** **800.626.2000**

Upon request, GE will provide Braille controls for a variety of GE appliances, and a brochure to assist in planning a barrier-free kitchen for persons with limited mobility. To obtain these items, free of charge, call 800.626.2000.

Consumers with impaired hearing or speech who have access to a TDD or a conventional teletypewriter may call 800-TDD-GEAC (800-833-4322) to request information or service.

---

## **Service Contracts** **800-626-2224**

You can have the secure feeling that GE Consumer Service will still be there after your warranty expires. Purchase a GE contract while your warranty is still in effect and you'll receive a substantial discount. With a multiple-year contract, you're assured of future service at today's prices.

---

## **Parts and Accessories** **800-626-2002**

Individuals qualified to service their own appliances can have parts or accessories sent directly to their home. The GE parts system provides access to over 47,000 parts...and all GE Genuine Renewal Parts are fully warranted. VISA, MasterCard and Discover cards are accepted.

User maintenance instructions contained in this booklet cover procedures intended to be performed by any user. Other servicing generally should be referred to qualified service personnel. Caution must be exercised, since improper servicing may cause unsafe operation.

# YOUR GE ICEMAKER WARRANTY

**Staple sales slip or cancelled check here. Proof of original purchase date is needed to obtain service under warranty.**

## WHAT IS COVERED

### FULL ONE-YEAR WARRANTY

For one year from date of original purchase, we will provide, free of charge, parts and service labor in your home to repair or replace **any part of the icemaker** that fails because of a manufacturing defect.

### FULL FIVE-YEAR WARRANTY

For five years from date of original purchase, we will provide, free of charge, parts and service labor in your home to repair or replace **any part of the sealed icemaking system** (the compressor, condenser, evaporator and all connecting tubing) that fails because of a manufacturing defect.

\*\*\*\*\*

This warranty is extended to the original purchaser and any succeeding owner for products purchased for use in the 48 mainland states, Hawaii and Washington, D.C. In Alaska the warranty is the same except that it is LIMITED because you must pay to ship the product to the service shop or for the service technician's travel costs to your home.

All warranty service will be provided by our Factory Service Centers or by our Authorized Customer Care® servicers during normal working hours.

Should your appliance need service, during warranty period or beyond, call 800-GE-CARES (800-432-2737).

## WHAT IS NOT COVERED

- Service trips to your home to teach you how to use the product.

### Read your Use and Care material.

If you then have any questions about operating the product please contact your dealer or our Consumer Affairs office at the address below, or call, toll free:

GE Answer Center®  
800.626.2000  
consumer information service

- Improper installation.

If you have an installation problem, contact your dealer or installer. You are responsible for providing adequate electrical, plumbing and other connecting facilities.

- Replacement of house fuses or resetting of circuit breakers.
- Use of a non-approved Drain Pump Kit.

- Failure of the product if it is used for other than its intended purpose or used commercially.

- Damage to product caused by accident, fire, floods or acts of God.

- Loss of food due to spoilage.

**WARRANTOR IS NOT RESPONSIBLE FOR CONSEQUENTIAL DAMAGES.**

Some states do not allow the exclusion or limitation of incidental or consequential damages, so the above limitation or exclusion may not apply to you. This warranty gives you specific legal rights, and you may also have other rights which vary from state to state. To know what your legal rights are in your state, consult your local or state consumer affairs office or your state's Attorney General.

**Warrantor: General Electric Company**

**If further help is needed concerning this warranty, write:  
Manager—Consumer Affairs, GE Appliances, Louisville, KY 40225**

2180919

Part No. 162D7745P002  
Pub. No. 49-6857

ZDIB50, ZDIW50  
Printed in the United States

---

# NOTES

Monogram.

Manual del usuario e  
instrucciones para  
la instalación

para ZDIB50  
ZDIW50

Máquina para hacer hielo



*Monogram*.™

General Electric Company  
Louisville, KY 40225

*Monogram*.™

*Máquina para hacer hielo*

Pub. No. 49-6857  
Part No. 162D7745P002

---

## Introducción

Su nueva máquina para hacer hielo Monogram es una afirmación elocuente de estilo, comodidad y flexibilidad en la planeación de su cocina. Ya sea que la elija por la pureza de su diseño, por las características físicas o por la constante atención al detalle—o por todas estas razones—encontrará que la combinación de forma y función de su máquina para hacer hielo Monogram es superior y dará una gran satisfacción durante los años venideros.

La máquina para hacer hielo Monogram fue diseñada para proporcionar la flexibilidad requerida para adaptarse a los gabinetes de su cocina.

La información contenida en las siguientes páginas le ayudará a operar y a mantener de manera apropiada su máquina para hacer hielo.

Si requiere una lista de distribuidores, o si tiene otras preguntas, por favor llámé a GE Answer Center® (800.626.2000).

---

## Contenido

Cuidado y limpieza.....	7–10	Preparación .....	11–15
Cambio del bombillo .....	10	Calibraciones del	
Componentes interiores de la		termostato.....	11
máquina para hacer hielo ....	9	Cómo cambiar el panel del	
Condensador .....	7	depósito de la puerta .....	12
Filtrado y tratamiento		Cómo cambiar el panel	
del agua .....	10	inferior de acceso .....	13
Sistema para fabricar hielo ....	8	Cómo desempacar la	
Superficies exteriores.....	7	máquina para hacer hielo ..	11
Controles.....	6	Localización .....	11
Características.....	6	Nivelación .....	11
Instrucciones de instalación..	16–18	Puerta y paneles de	
Instalación independiente ....	16	acceso a la medida .....	14
Instrucciones para		Vacaciones y mudanzas .....	15
la conexión a tierra.....	16	Registro del aparato .....	3
Requerimientos eléctricos....	16	Servicios al consumidor.....	20
Instrucciones de operación .....	5, 6	Solución a los problemas.....	19
Instrucciones de seguridad.....	4	Garantía .....	21
Localización de números de			
serie y de modelos.....	3, 6		

***¿Preguntas?  
Llamé a GE Answer Center®  
800.626.2000***



---

## AYUDENOS A AYUDARLE...

### Lea cuidadosamente este folleto.

Es nuestra intención ayudarle a operar y mantener adecuadamente su nueva máquina para hacer hielo.

Mantenga este folleto a la mano para responder a sus preguntas.

Si no entendiera algo o necesitara asesoría, llame a:

**GE Answer Center®**

**800.626.2000**

**24 horas del día, 7 días a la semana**

### Si usted recibiera un máquina para hacer hielo dañado...

Contacte inmediatamente al distribuidor (o al fabricante) que le vendió la máquina para hacer hielo.

### Ahorre tiempo y dinero.

#### Antes de solicitar el servicio...

Revise la sección de Solución de problemas de este folleto. Allí se describen problemas de operación menores que usted mismo puede corregir.

### Anote el modelo y los números de serie.

Los verá en la placa del lado izquierdo del depósito de almacenamiento.

Estos números se encuentran también en la Tarjeta de registro de propiedad del producto del consumidor que se proporciona junto con su máquina para hacer hielo.

Antes de enviar esta tarjeta, por favor anote aquí los siguientes números:

---

Número de modelo

---

Número de serie

Use estos números en toda correspondencia o llamada de servicio referentes a su máquina para hacer hielo.

---

## SI SE NECESITA SERVICIO

Para solicitar servicio, vea la página de Servicios al consumidor al final de este folleto.

Estamos orgullosos de nuestro servicio y deseamos quede satisfecho. Si por alguna razón usted no quedara satisfecho con el servicio recibido, por favor siga los tres pasos siguientes:

PRIMERO contacte a las personas que le dieron servicio a su aparato. Explíqueles por qué no quedó satisfecho. En la mayoría de los casos, ellos le resolverán su problema.

A CONTINUACION, si usted siguiera insatisfecho con el servicio, escriba todos los detalles (incluyendo su número telefónico) a:

Manager, Consumer Relations  
GE Appliances  
Appliance Park  
Louisville, KY 40225

FINALMENTE, si aún siguiera sin resolver el problema, escribir a:

Major Appliance Consumer Action Program  
20 North Wacker Drive  
Chicago, IL 60606

# INSTRUCCIONES DE SEGURIDAD

Lea todas las instrucciones antes de usar este electrodoméstico.



**ADVERTENCIA**—Para reducir el riesgo de incendio, choque eléctrico o lesiones cuando esté usando su máquina para hacer hielo, siga precauciones básicas incluyendo las siguientes:

- **Nunca permita que los niños operen, jueguen con la máquina o se metan al interior de la máquina.**
  - **Nunca limpie las partes de la máquina para hacer hielo con líquidos inflamables. Los vapores pueden crear riesgos de incendio o explosión.**
  - **Por su seguridad: No almacene ni use gasolina u otros vapores y líquidos cerca de este o de otro aparato. Los vapores pueden crear riesgos de incendio o explosión.**
  - **Haga que un técnico de servicio calificado instale y conecte a tierra la máquina para hacer hielo de manera correcta de acuerdo con las Instrucciones de instalación.**
  - **No trate de reparar o reemplazar ninguna parte de su máquina para hacer hielo a menos que se recomiende específicamente en esta guía. Todo otro servicio se debe remitir a un técnico de servicio calificado.**
- **Es responsabilidad de usted asegurarse de que su máquina para hacer hielo:**
    - se haya instalado donde esté protegida de los elementos.
    - se localice de modo que el frente no esté obstruido de modo que no limite el flujo de aire de entrada o de descarga.
    - esté nivelada correctamente.
    - esté localizada en un área bien ventilada con temperaturas superiores a 55 °F. (13 °C.) y menores que 110 °F. (43 °C.). Los mejores resultados se obtienen a temperaturas entre 70 °F. (21 °C.) y 90 °F. (32 °C.).
    - esté conectada de modo adecuado a una línea de suministro de agua y a una de drenaje.
    - esté conectada sólo al tipo correcto de toma de corriente, con el suministro eléctrico correcto y conexión a tierra correcta. Se requieren 120 voltios, 60 Hz y 15 amperes de suministro eléctrico. **NOTA:** Se recomienda un fusible de retardo o un interruptor de circuito.
    - que no la use alguien que sea incapaz de operarla de manera adecuada.
    - se use sólo para el fin para el que están diseñadas las máquinas para hacer hielo.
    - se le dé el mantenimiento correcto.

**GUARDE ESTAS  
INSTRUCCIONES**

---

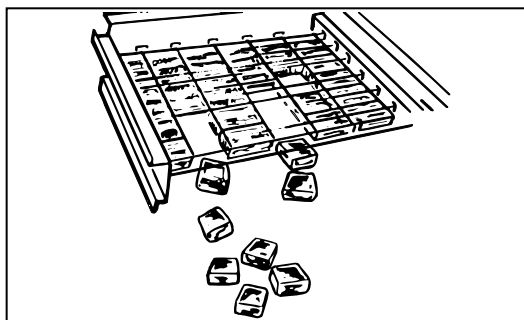
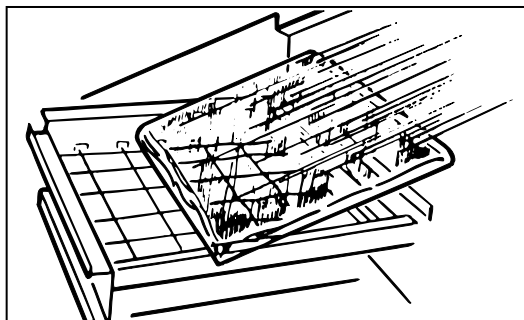
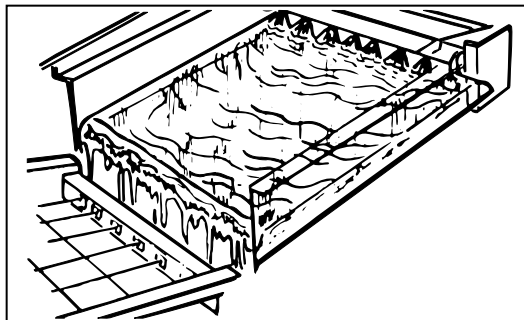
# OPERACION DE SU MAQUINA PARA HACER HIELO

## Cómo funciona la máquina para hacer hielo

1. El agua circula constantemente sobre una placa de congelación. A medida que el agua se enfría para llegar a congelarse, los minerales que contiene el agua son expulsados. Esto produce una capa delgada de hielo con bajo contenido de minerales.

**NOTA:** La máquina para hacer hielo está diseñada para fabricar hielo transparente con la mayoría de las fuentes de suministro de agua todos los días. Si los resultados no son satisfactorios, el agua puede necesitar filtrarse o tratarse. Consulte Filtración y tratamiento del agua en la sección Cuidado y limpieza.

2. Cuando se haya alcanzado el espesor deseado, la placa de hielo se libera y se desliza hacia la rejilla cortadora. Esta rejilla divide la placa de hielo en cubos individuales.
3. El agua que contiene los minerales expulsados se drena después de cada ciclo de congelación.
4. El agua fresca entra en la máquina para el siguiente ciclo de congelación.
5. Los cubos caen en el depósito de almacenamiento. Cuando el depósito está lleno, la máquina para hacer hielo se apaga automáticamente y se vuelve a encender cuando se necesita más hielo.



---

## Notas acerca de esta máquina para hacer hielo

- El agua entra sólo durante el ciclo de descongelamiento. Por lo tanto el primer ciclo se acabará sin tener agua en el sistema.
- Como las temperaturas ambiente y del agua varían, así también variará la cantidad de hielo producido. Eso significa que las temperaturas de operación más altas resultarán en producción de hielo reducida.
- La máquina para hacer hielo se apagará cuando el hielo en el depósito de almacenamiento toca la fuente del termostato del depósito y ciclará automáticamente para mantener lleno el depósito.
- El depósito de almacenamiento no se refrigera y algún derretimiento ocurrirá. Eso, también, varía con la temperatura ambiente.
- La máquina para hacer hielo necesita buena circulación de aire para funcionar eficazmente. Mantenga limpios la rejilla frontal y el condensador.
- El sistema de agua, incluyendo el filtro dentro de la válvula de solenoide de entrada de agua, se necesita limpiar periódicamente para buena circulación. Las instrucciones se encuentran en el panel de la puerta interior.

*(pase a la página siguiente)*

# OPERACION DE SU MAQUINA PARA HACER HIELO

(pase)

## Ajustando los controles

1. Elija el espesor de hielo que desee. La máquina para hacer hielo ha sido ajustada en la fábrica para producir hielo de aproximadamente 1/2" (13 mm) de espesor, siempre que esté operando a una temperatura ambiente de 70 °F. (21 °C.).

La operación a una temperatura ambiente distinta puede requerir un reajuste del control ya sea hacia la posición "THICK" (grueso) o "THIN" (delgado).

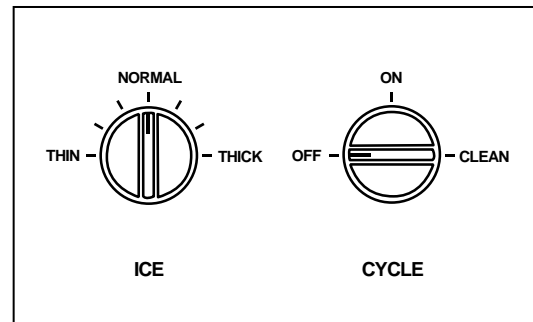
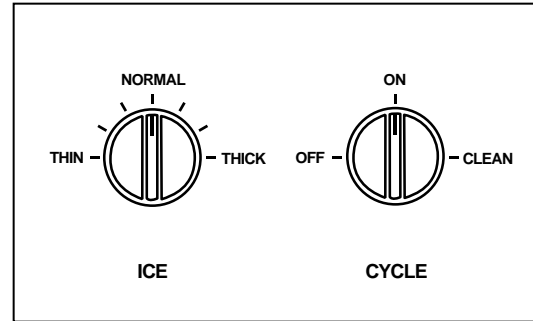
La mejor operación se obtendrá con hielo de 1/2" (13 mm) hasta 5/8" (16 mm) de grueso.

Si su máquina opera en una habitación tibia (más de 90 °F. [32 °C.]) NO coloque el control en el espesor máximo ya que podría causar un mal funcionamiento de la máquina para hacer hielo.

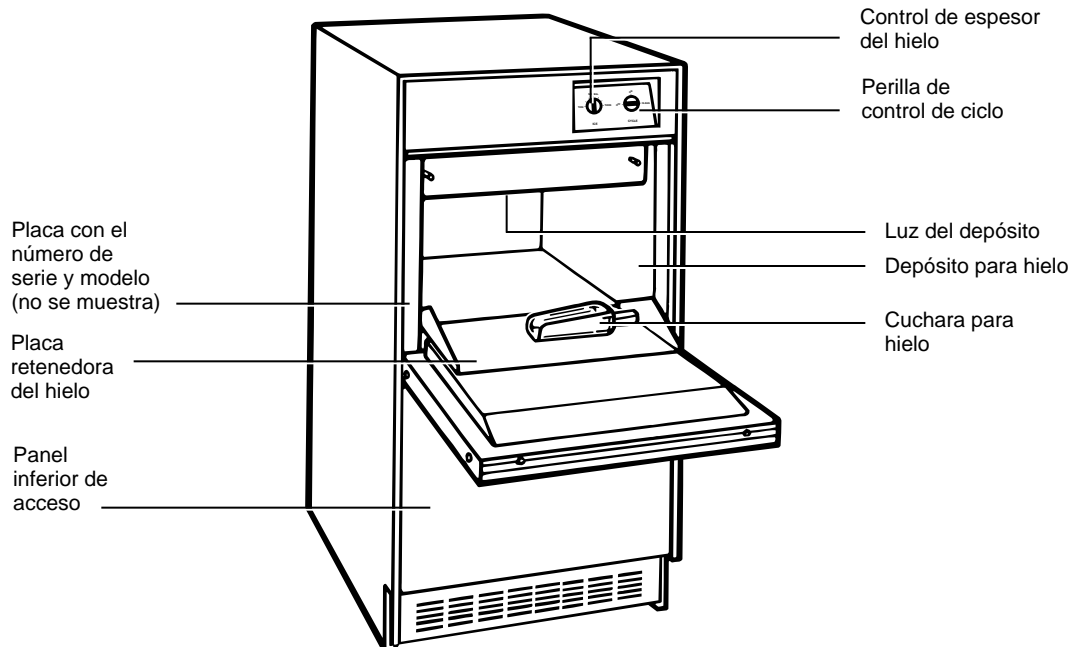
2. Para iniciar el ciclo normal de fabricación de hielo, haga girar la perilla de Control de ciclo hasta la posición "ON" (encendido).

3. Para detener la operación de la máquina para hacer hielo, haga girar la perilla de Control de ciclo hasta la posición "OFF" (apagado).

La posición de "CLEAN" (limpiar) se usa siempre que hayan circulado impurezas a través de la máquina para hacer hielo durante la limpieza de ésta. Sólo la bomba de agua funciona en esta posición de la perilla. Consulte Limpieza del sistema de la máquina para hacer hielo en la sección Cuidado y limpieza, si requiere de instrucciones específicas.



## CARACTERISTICAS DE SU MAQUINA PARA HACER HIELO



# CUIDADO Y LIMPIEZA

Inspeccione y limpie periódicamente la máquina para hacer hielo de modo que siga funcionando a su máxima eficiencia y para prevenir una falla prematura de los componentes del sistema.

Tanto el sistema de fabricación de hielo como el condensador enfriado por aire necesitan ser limpiados de manera regular.

Los minerales expulsados del agua circulante durante el ciclo de congelación a la larga formarán un depósito escamoso duro en el sistema de agua que evitará la liberación rápida del hielo de la placa de congelación.

Limpie periódicamente el sistema de hielo y agua para quitar las sales minerales escamosas que se forman. La frecuencia con que se haga la limpieza dependerá de la dureza del agua. Si el agua es dura (15/20 granos/galón), la limpieza puede requerirse con tanta frecuencia como lo sería cada seis meses.

## Un condensador sucio o tapado:

- evita el flujo correcto de aire
- reduce la capacidad de fabricar hielo
- causa temperaturas de operación superiores a las recomendadas que pueden llevar a una falla de los componentes.

## Limpieza de las superficies exteriores

Lave las superficies exteriores de esmalte y los empaques con agua tibia y jabón o detergente suave. Enjuague y seque. El uso regular de un buen limpiador doméstico para aparatos y de cera ayudará a proteger el acabado.

**No use limpiadores abrasivos en superficies esmaltadas ya que pueden rayar el acabado.**

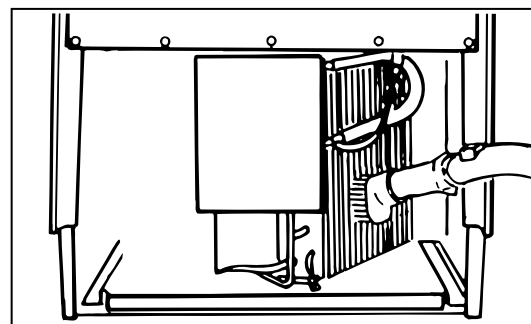
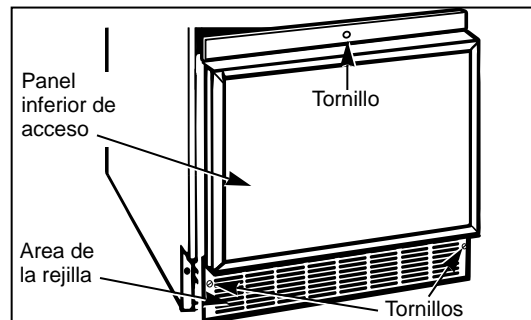
## Limpieza del condensador



### ADVERTENCIA:

- **Asegúrese de que la máquina para hacer hielo esté en posición de “OFF” (apagado) y desconectada del suministro principal de energía eléctrica. La máquina podría encenderse súbitamente si no está desconectada. La rotación de las aspas del condensador, las afiladas hojas del condensador y las tuberías calientes podrían causar lesiones permanentes en las personas.**
- **Las hojas del condensador pueden doblarse con facilidad. Tenga cuidado cuando limpie con aspiradora el condensador para evitar que las hojas se doblen.**

1. Desconecte el suministro de corriente eléctrica que alimenta la máquina para hacer hielo y ponga la perilla de Control de ciclo en “OFF” (apagado).
2. Quite los dos tornillos del área de la rejilla en el panel inferior de acceso.
3. Tire hacia adelante y hacia abajo para quitar el panel.
4. Quite la suciedad y la pelusa de las hojas del condensador y del compartimiento de la unidad con un accesorio para cepillar conectado a una aspiradora.
5. Vuelva a colocar el panel inferior de acceso y los tornillos. **La parte superior del panel de acceso necesita asegurarse debajo de las dos lengüetas de metal antes de volver a colocar los tornillos.**
6. Conecte la máquina para hacer hielo y haga girar la perilla de Control de ciclo hasta la posición de “ON” (encendido).



(pase a la página siguiente)

# CUIDADO Y LIMPIEZA

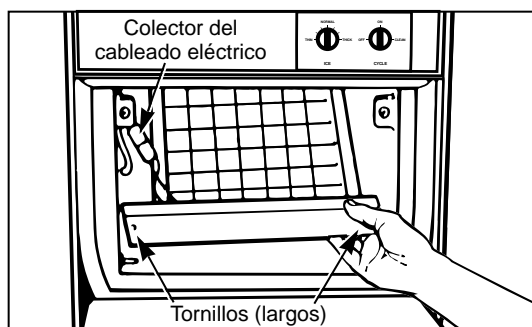
(pase)

## Limpieza del sistema de la máquina para hacer hielo



**ADVERTENCIA:** La mayoría de los limpiadores para máquinas se hacen a base de ácido cítrico o fosfórico y pueden causar irritación incluso después de ser diluidos. En el caso de contacto con los ojos, enjuague los ojos meticulosamente con agua y llame a un médico de inmediato. En caso de contacto con la piel, enjuague bien con agua. Si se *ingiere*, déle a la persona grandes cantidades de agua y llame a un médico de inmediato. No induzca el vómito. **MANTENGASE FUERA DEL ALCANCE DE LOS NIÑOS.**

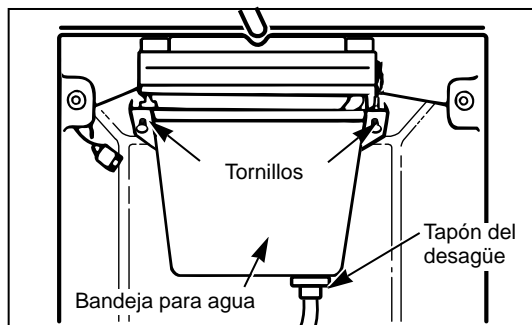
1. Coloque la perilla de Control de ciclo en posición de "OFF" (apagado).



2. Quite los dos tornillos y deslice la rejilla cortadora de hielo hacia adelante, sacándola de las dos ranuras cercanas a la bandeja para agua.
3. Desconecte el colector del cableado eléctrico.

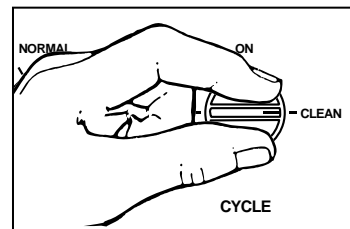
**PRECAUCION:** Cualquier cantidad de hielo que quede en la rejilla deberá derretirse bajo agua tibia corriente. Si trata de quitar los trozos de hielo de la rejilla puede estirar y dañar los alambres de la rejilla.

4. Quite todo el hielo del depósito de hielo y de la placa de congelación.



5. Drene la bandeja para agua quitando el tapón de desagüe y luego vuelva a colocarlo.

6. Vierta 1/2 galón (1.9 L) de agua caliente del grifo en la bandeja para agua\* y haga girar la perilla de Control de ciclo hasta la posición "CLEAN"



(limpiar). Esto calentará el sistema para hacer más efectiva la acción de la solución limpiadora. Deje que circule durante cinco minutos. Mientras el agua del grifo está circulando, prepare la solución limpiadora. Mezcle 6 onzas (170 g) de ácido cítrico o fosfórico en polvo con 1/2 galón (1.9 L) de agua caliente. (Los cristales de ácido cítrico y fosfórico están disponibles o pueden ordenarse en muchas farmacias y tiendas de materiales científicos.)

Los limpiadores comerciales para máquinas de hacer hielo (líquidos) también los tiene su distribuidor o las tiendas que venden partes para refrigeración. Mezcle de acuerdo con las instrucciones de las etiquetas (la cantidad total debe ser de 1/2 galón [1.9 L]).

7. Haga girar la perilla de Control de ciclo hasta la posición "OFF" (apagado) y desagüe la bandeja de agua. (Vea el paso 5.)
8. Coloque la perilla de Control de ciclo en "CLEAN" (limpiar) y vierta lentamente la solución limpiadora caliente en la bandeja para agua.\* (Si la solución hace espuma mientras la está vertiendo, espere hasta que deje de hacer espuma.) Luego añada lo que queda de la solución.

Permita que la solución circule hasta que se hayan disuelto los residuos acumulados (de 15 a 20 minutos). Una formación de residuos escamosos muy grande puede requerir de una limpieza repetida con una cantidad de solución limpiadora nueva.

Para limpiar las acumulaciones en las pestañas laterales de la placa de congelación utilice guantes de hule y talle con una fibra plástica no abrasiva o con un cepillo de nylon empapado en solución limpiadora.

9. No se quite los guantes de hule cuando drene la solución limpiadora. Coloque la perilla de Control de ciclo en "OFF" (apagado) y vacíe la bandeja para agua. (Vea el paso 5.)
10. Vuelva a colocar el tapón y agregue 1/2 galón (1.9 L) de agua limpia.\* Haga girar la perilla de Control de ciclo hasta la posición "CLEAN" (limpiar), deje que circule durante 5 minutos y luego drene. Repita el proceso de enjuague.

\*Para facilitar el vertido del agua y de la solución limpiadora use un recipiente con capacidad para 1 o 2 tazas.

## Limpeza de los componentes interiores

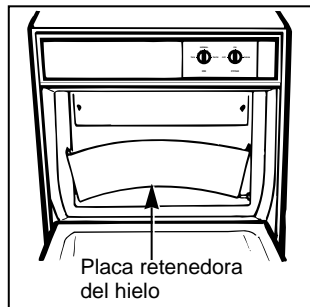


### ADVERTENCIA:

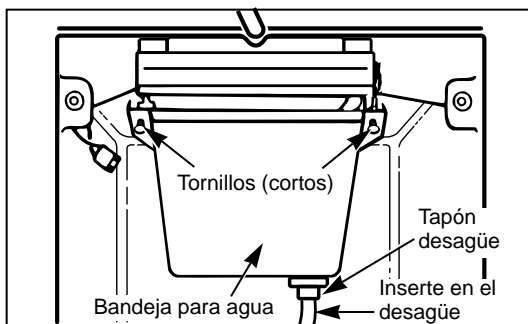
- No opere la máquina para hacer hielo si quitó el panel inferior de acceso o el tablero de control. Puede sufrir un choque eléctrico o lesiones en su persona.
- No lave las partes plásticas en la máquina lavavajillas. Las partes no resisten temperaturas superiores a 145 °F. (63 °C.).

1. Haga girar la perilla de Control de ciclo hasta la posición de “OFF” (apagado) y desconecte el suministro de corriente eléctrica que alimenta la máquina. Abra la puerta del depósito de almacenamiento y retire cualquier cantidad de hielo que haya en el depósito.

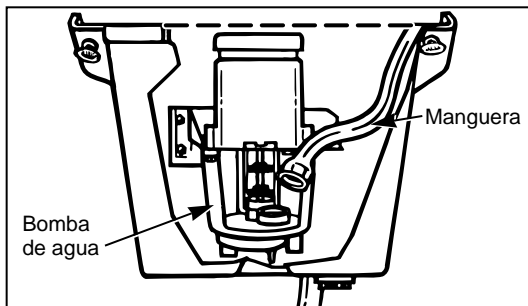
2. Quite la placa retenedora del hielo doblándola un poco y luego sacándola de los pernos prisioneros.



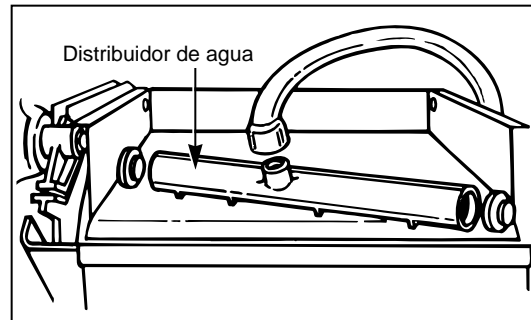
3. Quite la rejilla cortadora de hielo desatornillando los dos tornillos, deslizando la rejilla hacia adelante y desconectando el colector del cableado eléctrico.



4. Retire la bandeja para agua desatornillando y quitando los dos tornillos y las arandelas.



5. Quite la manguera de la bomba de agua.



6. Quite el distribuidor de agua de la placa de congelación. Se mantiene en su sitio mediante topes de hule. Quite la manguera de entrada y limpie todos los agujeros de agua del distribuidor y el orificio pequeño en el lado de entrada del distribuidor. Cuando reemplace el distribuidor, asegúrese de que los topes de hule se localicen en los retenes de las pestañas del evaporador y de que los agujeros del distribuidor de agua estén hacia abajo.
7. Lave los componentes interiores (placa retenedora de hielo, rejilla cortadora, bandeja para agua, manguera de entrada y distribuidor de agua) y el depósito de almacenamiento, el empaque de la puerta y la cuchara para hielo con jabón o detergente suave y agua tibia. Enjuague con agua limpia. Estos componentes también deben lavarse con una solución de 1 onza (29.6 ml) de blanqueador de cloro en un galón (3.8 L) de agua tibia. Enjuague de nuevo perfectamente con agua limpia.
8. Vuelva a colocar los componentes interiores: distribuidor de agua, manguera de entrada y bandeja para agua.
9. Verifique lo siguiente:
  - Que la manguera que viene de la válvula de agua esté en la bandeja para agua.
  - Que el tapón de hule para el desagüe esté en la bandeja para agua.
  - Que el distribuidor de agua esté bien colocado y los agujeros den hacia abajo.
  - Que la manguera haya sido conectada de nuevo a la bomba y al distribuidor de agua.
  - Que la manguera de la bandeja para agua se inserta en el agujero de desagüe del depósito de almacenamiento.
10. Vuelva a conectar el colector del cableado eléctrico, deslice la rejilla cortadora en su lugar y atornille con firmeza los tornillos. Vuelva a colocar la placa retenedora del hielo.
11. Haga girar la perilla de Control de ciclo hasta la posición de “ON” (encendido).

(pase a la página siguiente)

# CUIDADO Y LIMPIEZA

(pase)

## Filtrado y tratamiento del agua

En la mayoría de las áreas sería beneficioso filtrar o tratar el agua que alimenta la máquina para hacer hielo. Esto puede mejorar la confiabilidad de la máquina, reducir el mantenimiento del sistema de agua y producir la mejor calidad de hielo.

La instalación de un alimentador de polifosfato por lo general reducirá la formación de acumulaciones de sales y la máquina para hacer hielo requerirá de limpiezas menos frecuentes.

Los sistemas municipales de agua por lo general son tratados con cloro para mantener un suministro de agua potable libre de riesgos. Los filtros de carbón activado por lo general serán suficientes para quitar el cloro residual del agua y reducir las manchas en las superficies de los materiales de acero inoxidable de la máquina para hacer hielo.

Para mayor información sobre el filtrado y tratamiento del agua, consulte con el distribuidor al que le compró la máquina para hacer hielo.

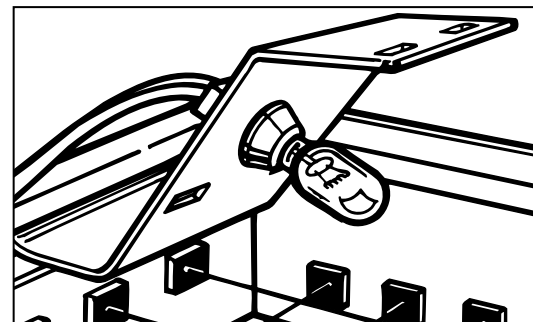
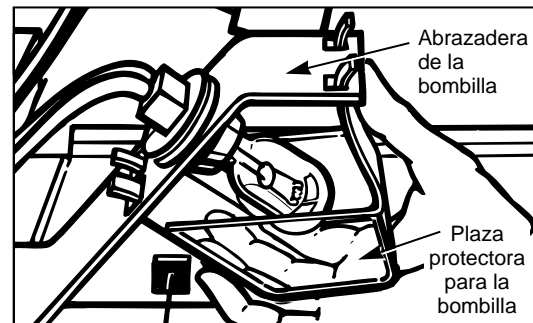
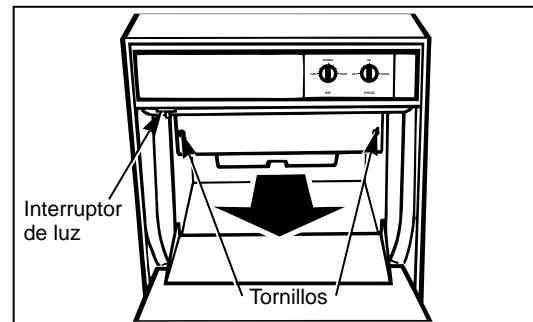
## Cambio de la bombilla



**ADVERTENCIA:** Antes de quitar la bombilla, desconecte la máquina para hacer hielo o bien desconecte la electricidad que alimenta a la máquina para hacer hielo desde la fuente de energía principal. Puede sufrir un choque eléctrico o lesiones a su persona si la máquina sigue conectada a la corriente eléctrica.

La máquina para hacer hielo tiene una bombilla en la parte superior del depósito de almacenamiento. Para reemplazarla, abra la puerta del depósito y siga estas instrucciones:

1. Desconecte la máquina para hacer hielo de la fuente de energía eléctrica.
2. Quite los dos tornillos y deslice la rejilla cortadora hacia adelante, sacándola de las dos ranuras que se encuentran cerca de la bandeja para agua. Coloque la rejilla cortadora sobre la puerta del depósito.
3. Oprima el frente de la protección de la bombilla mientras tira hacia abajo para quitarla de la abrazadera que la sujeta.
4. Quite la bombilla. Reemplácela con una bombilla de 15 watts con base de tipo bayoneta.
5. Vuelva a colocar la placa protectora, la rejilla cortadora de hielo y los dos tornillos.
6. Vuelva a conectar el suministro eléctrico.



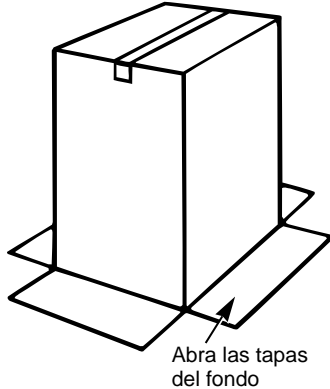


---

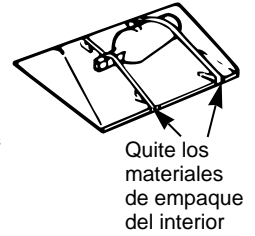
# PREPARACION

## Cómo desempacar la máquina para hacer hielo

1. Coloque la caja sobre la parte inferior y abra las tapas del fondo.
2. Coloque la caja derecha con las cuatro tapas abiertas hacia afuera.
3. Levante la caja de cartón hasta dejar al descubierto la máquina para hacer hielo.



4. Quite toda la cinta adhesiva y los materiales de empaque del exterior y del interior del gabinete.
5. Quite la rejilla delantera, retire los tornillos que aseguran la rejilla con el fondo y levántela sacándola del gabinete.



6. Haga girar el ventilador con la mano para cerciorarse de que se mueve con libertad.

---

## Localización

ESTA MAQUINA PARA HACER HIELO **DEBE** INSTALARSE EN UN AREA PROTEGIDA DE LOS ELEMENTOS, POR EJEMPLO DEL VIENTO, LA LLUVIA, EL ROCIO DE AGUA O GOTEO DE AGUA.

1. Coloque la máquina para hacer hielo de modo que el lado del frente esté completamente libre para proporcionar un flujo de aire adecuado.
2. El área debe estar bien ventilada a una temperatura superior a los 55 °F. (13 °C.) e inferior a 110 °F. (43 °C.). Los mejores resultados se obtienen entre 70 °F. (21 °C.) y 90 °F. (32 °C.).
3. Deben determinarse las provisiones de electricidad, agua y drenaje.
4. La máquina para hacer hielo puede cerrarse en la parte superior y en tres lados, pero el frente **DEBE ESTAR** libre de obstáculos para que haya circulación de aire y una adecuada operación. La instalación debe hacerse de tal modo que el gabinete pueda moverse hacia adelante para poder darle servicio en caso necesario.

## Nivelación

1. Después de colocar la máquina para hacer hielo en posición, revise para cerciorarse de que la máquina para hacer hielo esté nivelada de lado a lado y del frente hacia atrás.
2. Una nivelación precisa es esencial para una operación adecuada.
3. La máquina para hacer hielo debe estar encuñada para que quede sólida lo mismo que nivelada. Las cuñas deben ser de un material duro y permanente como el masonite (madera aglomerada).
4. Los estándares de la Fundación Nacional para la Higiene determinan que este tipo de producto debe quedar sellado al suelo en el riel inferior para así evitar contaminación por derrames o la entrada de sabandijas. Por lo tanto, recomendamos que cuando instala la máquina para hacer hielo la asiente en el suelo de acuerdo con esos estándares. Se recomienda un sellador de tipo silicio.

---

## Calibraciones del termostato

Si la máquina para hacer hielo se instala a más de dos mil pies (610 m), el depósito y los evaporadores de los termostatos deben ajustarse para una posición más tibia. Desconecte la electricidad, retire el termostato y siga las instrucciones para hacer girar el tornillo de ajuste como se muestra en la etiqueta en cada termostato.

(pase a la página siguiente)

# PREPARACION

(pase)

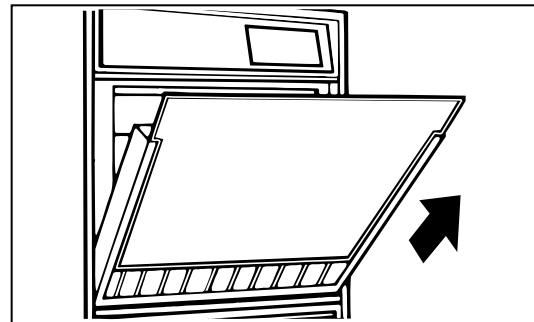
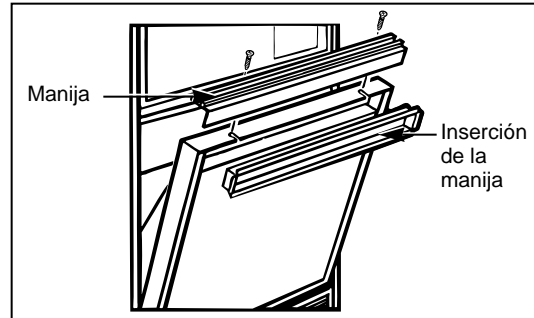
## Cómo cambiar el panel de la puerta del depósito

Usted puede cambiar con facilidad el color del panel delantero de la puerta del depósito de almacenamiento. Hay dos colores disponibles: negro y blanco.

### Para cambiar el panel:

1. Abra la puerta del depósito de almacenamiento.  
Quite los dos tornillos que se encuentran en la parte superior de la puerta y que sostienen la manija.
2. Afloje los tornillos en ambos lados de las guarniciones.
3. Quite la manija y la inserción de la manija.
4. Deslice cuidadosamente el panel para sacarlo.  
Encontrará que el reverso es negro. En las unidades que muestren un panel negro hacia afuera, la cara interior será blanca.
5. Elija el color que quiere mostrar y con cuidado vuelva a deslizar el panel en la puerta.  
**NOTA:** Tenga cuidado de no raspar el panel mientras lo inserta.
6. Vuelva a colocar la inserción de la manija y apriete los tornillos en ambos lados de las guarniciones.  
Vuelva a colocar la manija y los tornillos.

**NOTA:** Usted puede hacer un panel frontal de madera decorativa que se adapte a los gabinetes existentes. Consulte la sección Puerta y paneles de acceso a la medida.



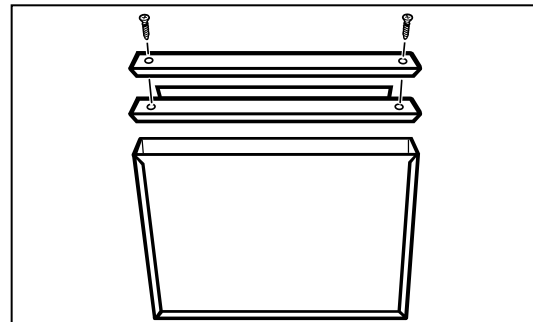
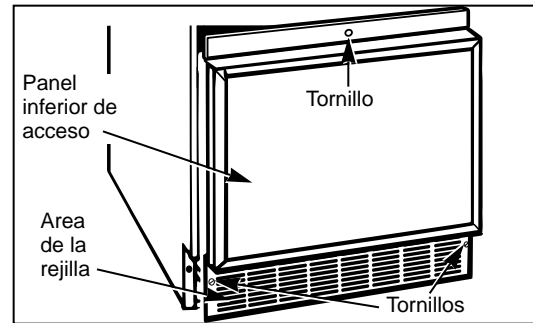
## Cómo cambiar el panel inferior de acceso



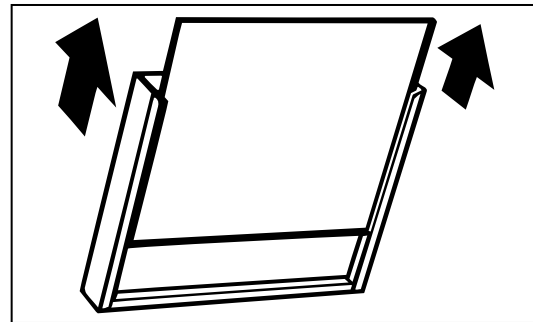
**ADVERTENCIA:** No opere la máquina para hacer hielo si ha quitado el panel inferior de acceso o el panel de control.

Puede sufrir un choque eléctrico o lesiones personales.

1. Quite el tornillo de la parte superior del panel inferior de acceso y los dos tornillos que están en la parte de abajo del área de la rejilla cortadora. Tire hacia el frente en la parte de abajo, entonces tire hacia abajo para quitar el panel.
2. Quite los dos tornillos de la guarda superior y quite la guarda superior.



3. Deslice con cuidado el panel para quitarlo.
4. Elija el color que quiera mostrar y con cuidado vuelva a poner en su lugar el panel inferior de acceso. **NOTA:** Tenga cuidado de no rayar el panel al insertarlo.
5. Vuelva a poner la guarda superior y los tornillos. Vuelva a colocar el montaje del panel inferior de acceso y los tornillos. **La parte superior del panel de acceso necesita asegurarse debajo de las dos pestañas de metal antes de volver a colocar los tornillos.**



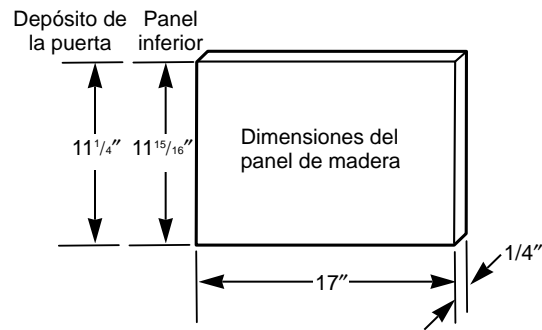
(pase a la página siguiente)

**NOTA:** Usted puede hacer un panel frontal de madera decorativa que se adapte a los gabinetes existentes. Consulte la sección Puerta y paneles de acceso a la medida.

# PUERTA Y PANELES DE ACCESO A LA MEDIDA

## Puerta y paneles de acceso a la medida de 1/4" de espesor

Corte los paneles del mismo tamaño que el panel de metal.



## Puerta y paneles de acceso a la medida de 3/4" de espesor

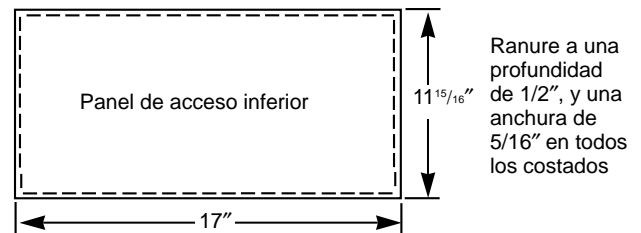
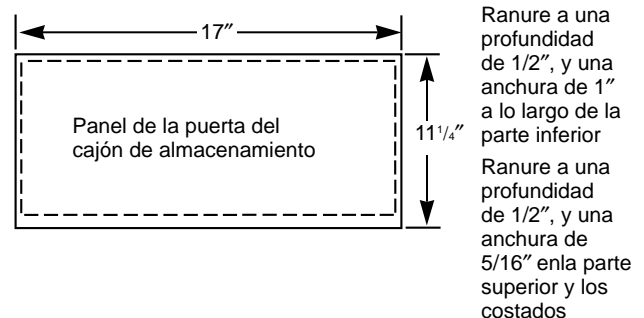
La puerta y los paneles de acceso—ambos con diseños en relieve y plano—se deberán armar de la misma manera que el gabinete, las puertas o los cajones típicos.

### Panel de la puerta del cajón de almacenamiento:

- Corte el panel a 17" de ancho x 11 1/4" de alto.
- Ranure la parte superior y ambos lados con una anchura de 5/16", y 1/2" de profundidad para obtener una anchura total de 1/4".
- Ranure la parte inferior del panel con una anchura de 1", una profundidad de 1/2" para obtener un espesor total de 1/4". Esto permitirá que la puerta se abra sin golpearse contra el panel inferior. Si se desea una apariencia personalizada, considere que debe estrechar la ranura de 1".

### Panel de acceso inferior:

- Corte el panel a 17" de ancho por 11 15/16" de alto.
- Ranure los cuatro lados a una anchura de 5/16" y una profundidad de 1/2" para tener un espesor total de 1/4".



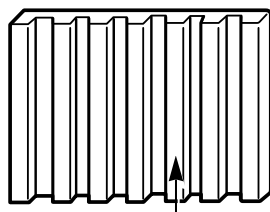
Paneles con grosor de 3/4"

## Instalación a la medida de la puerta y los paneles de acceso

### Para instalar el panel de la puerta del depósito de almacenamiento:

1. Abra la puerta de cajón de almacenamiento.
2. Quite los dos tornillos de la parte superior de la puerta que sostienen la manija.
3. Quite la manija.
4. Deslice el panel de metal para sacarlo.

5. Rompa las pestañas de aislamiento para poder introducir el panel de madera.
6. Deslice el panel de madera en el marco de la puerta.
7. Vuelva a poner la manija y los tornillos.



Quite todas las pestañas de aislamiento para que pueda caber el panel de madera con el espesor de ésta.

### Para instalar el panel de acceso inferior:

**ADVERTENCIA:** Asegúrese de que la máquina para hacer hielo esté desconectada del suministro principal de corriente eléctrica antes de quitar el panel inferior de acceso. Si no lo hace así, corre el riesgo de recibir un choque eléctrico o lesiones personales.

1. Retire el tornillo ubicado en la parte superior del conjunto del panel de acceso inferior y los dos tornillos ubicados en la parte inferior que sostienen el conjunto del panel de acceso inferior a la máquina para hacer hielo.
  2. Quite los dos tornillos de la guarnición del panel superior.
  3. Deslice los paneles de metal y los espaciadores para sacarlos.
  4. Deslice el panel de madera en el marco de la puerta.
  5. Reemplace la parte superior del montaje del panel.
- NOTA:** Asegúrese de que el panel galvanizado sea colocado de nuevo en su lugar en el montaje del panel.

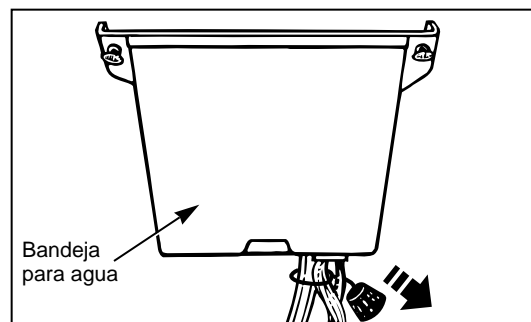
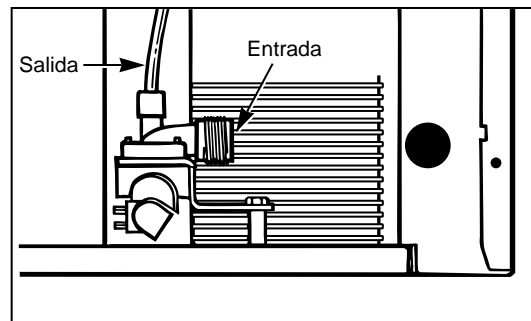
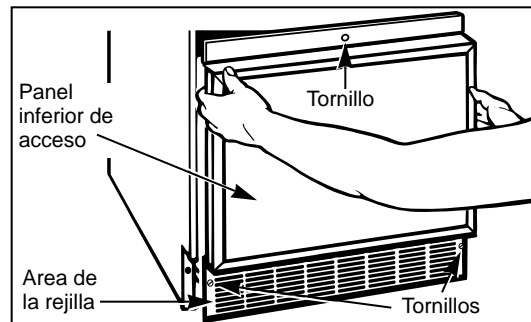
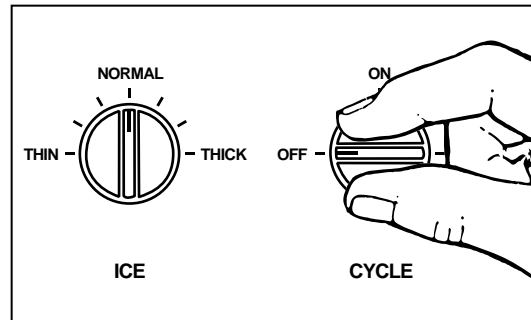
## Vacaciones y mudanzas

**⚠ ADVERTENCIA:** Asegúrese de que la máquina para hacer hielo esté desconectada del suministro principal de corriente eléctrica antes de quitar el panel inferior de acceso. Si no lo hace así, corre el riesgo de recibir un choque eléctrico o lesiones a su persona.

### Para apagar la máquina para hacer hielo:

1. Desconecte el suministro eléctrico que va a la máquina para hacer hielo y haga girar la perilla de Control de ciclo hasta la posición de "OFF" (apagado).
2. Retire todo el hielo del depósito de almacenamiento.
3. Cierre el suministro de agua.
4. Quite el tornillo de la parte superior del panel inferior de acceso y los dos tornillos que están en la área de la rejilla del panel inferior de acceso, entonces quite el panel. Tire hacia adelante del fondo, entonces tire hacia abajo.
5. Desconecte las líneas de entrada y salida de la válvula de agua. Permita que éstas se desagüen y luego reconecte la válvula.
6. Vuelva a colocar el panel inferior de acceso y los tornillos. **La parte superior del panel de acceso necesita asegurarse debajo de las dos lengüetas de metal antes de volver a colocar los tornillos.**
7. Vacíe el agua de las líneas de desagüe y vacíe y drene la bandeja para el agua.
8. Antes de usar la máquina para hacer hielo de nuevo, límpiela y también limpie el depósito de almacenamiento.

**NOTA:** Todos los componentes de las máquinas para hacer hielo han sido permanentemente lubricados en la fábrica. No requieren de ninguna lubricación adicional a lo largo de la vida normal de la máquina.



---

# INSTALACION INDEPENDIENTE

## Para el instalador

Cuando se instala esta máquina para hacer hielo de manera independiente (no debajo de un mostrador) recomendamos fuertemente que las esquinas posteriores del fondo de la máquina para hacer hielo se sujeten al suelo para evitar que se vuelque por casualidad.

---

## INSTRUCCIONES PARA LA INSTALACION IMPORTANTE...Leer detenidamente

### Para el electricista—Requerimientos eléctricos

Se requiere un suministro eléctrico de 115 voltios, 60 Hz y 15 amperes. Se recomienda que esté conectado a un fusible de retardo o a un interruptor de circuito. Se recomienda la existencia de un circuito separado que sirva sólo a este aparato. NO use un cable de extensión.

**ESTE APARATO DEBE ESTAR CONECTADO A TIERRA.**

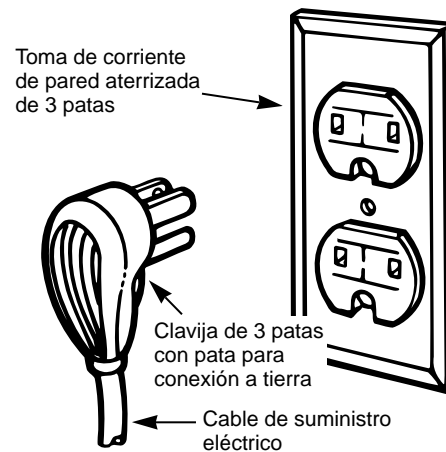
---

### Métodos que se recomiendan para conectar a tierra

**BAJO NINGUNA CIRCUNSTANCIA quite LA PATA DE CONEXION A TIERRA DE LA CLAVIJA QUE SE ENCUENTRA EN EL EXTREMO DEL CABLE DE SUMINISTRO ELECTRICO.**

**Por su seguridad personal, este aparato debe estar conectado a tierra de la manera correcta.**

Este aparato está equipado con un cable de suministro eléctrico que tiene una clavija conectora de tres patas para aterrizar la máquina. Para evitar al máximo el riesgo de choque eléctrico la clavija debe conectarse en una toma de corriente aterrizada para clavija de tres patas, y cuya conexión a tierra cumpla con el Código Nacional Eléctrico y los códigos y ordenanzas locales. Si no cuenta con una toma de corriente de este tipo, es responsabilidad y obligación personal del cliente hacer que un electricista calificado instale una toma de corriente correctamente aterrizada, de tres patas.



# INSTRUCCIONES PARA LA INSTALACION

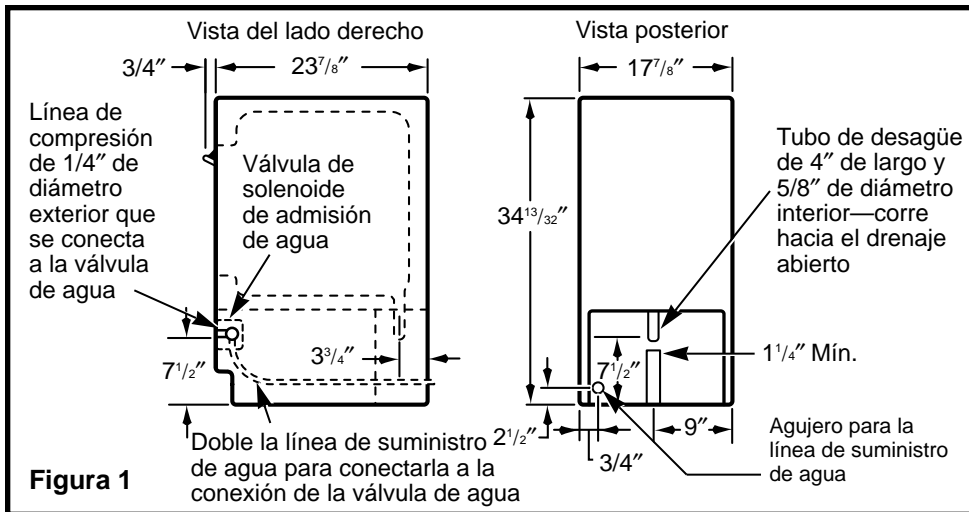


Figura 1

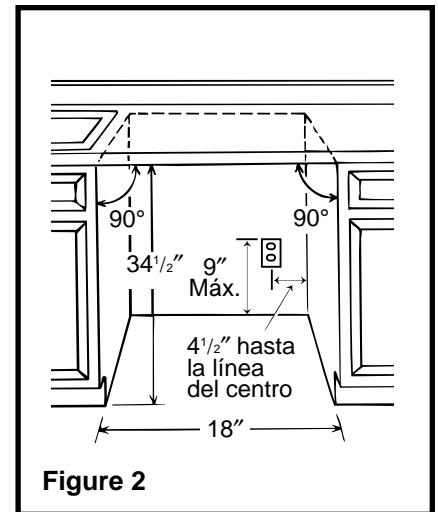


Figure 2

## INSTALACIONES

### RESPECTE LOS CODIGOS LOCALES

Cada instalación es individual pero requerirá:

- Una válvula de admisión de 1/4" de diámetro interior de tubo de cobre flexible y una válvula de paso.
- Ya sea un sistema de desagüe por gravedad o una bomba de desagüe para llevar el agua hasta el drenaje existente.
- Una rama de un circuito eléctrico de 115 voltios, 60 Hz, monofásico, con un fusible de acción retardada de 15 amperios o un interruptor de circuito.

## PARA EL PLOMERO

### Conexión al agua. (Respete los códigos locales.)

- Use un tubo de cobre flexible de 1/4" para el suministro de agua fría.
- Coloque una válvula de paso adecuada en la línea de agua.
- Ubique la tubería de manera que pueda entrar por el orificio de acceso localizado a la derecha de la parte posterior del gabinete de la máquina para hacer hielo. La tubería deberá extenderse más allá de la parte frontal del gabinete, de modo que cuando se empuje hacia atrás la máquina para hacer hielo para colocarla en su lugar, la tubería alcance la válvula de admisión ubicada en la parte frontal. Ver Figura 1.

**NOTA:** Siempre purgue la línea de agua antes de hacer la conexión final a la entrada de la válvula de agua para evitar un posible mal funcionamiento de la válvula de paso del agua.

Ya ubicada la máquina para hacer hielo en su posición permanente, doble la tubería para conectarla con la válvula de agua. La unión de tipo manguera de jardín roscada se encuentra en la bolsa de partes. Esta conexión proporciona facilidad para desconectar el servicio. Asegúrese de que la tubería no tenga compresiones para evitar cascabeleos.

(pase a la página siguiente)

# INSTRUCCIONES PARA LA INSTALACION

(continuación)

## NIVELACION

- Después de colocar la máquina para hacer hielo en posición, revise para cerciorarse que esté nivelada de lado a lado y del frente hacia atrás.
- Una nivelación precisa es esencial para una operación adecuada.
- La máquina para hacer hielo debe estar acuñada para que quede sólida lo mismo que nivelada. Las cuñas deben ser de un material duro y permanente como el masonite (madera aglomerada).
- Los estándares de la Fundación Nacional para la Higiene determinan que este tipo de producto debe quedar sellado al suelo en el riel inferior para así evitar contaminación por derrames o la entrada de sabandijas. Por lo tanto, recomendamos que cuando instala la máquina para hacer hielo la asiente en el suelo de acuerdo con esos estándares. Se recomienda un sellador de tipo silicona.

## METODO ALTERNO

**Instale una bomba de desagüe, aprobada por UL, en la parte trasera de la máquina de hacer hielo, si una conexión de drenaje directamente debajo de la salida del tubo de drenaje no es disponible.**

### Especificaciones de la bomba de desagüe:

- Aprobada por UL, con un cordón eléctrico, aprobado por UL, de 3 alambres con conexión a tierra de 120 vatios AC (corriente alterna)
- Dimensiones exterior total (máximo): 15" de anchura x 6" de profundidad x 9 1/2" de altura.
- Razón del flujo de la bomba (mínimo): 24.0 galones por hora (0.4 galón por minuto) y con aproximadamente un alzamiento de 12'.
- Temperatura de funcionamiento oscila entre 55° F y 110° F (13° C y 43° C)

## BOMBA DE DESAGÜE

- Cuando se instala la conexión de drenaje debajo de la máquina para hacer hielo, puede usarse una bomba de desagüe para llevar el agua hasta un drenaje disponible. Use sólo un juego de bomba de desagüe aprobado ZDK50 de su distribuidor.
- Las instrucciones completas de instalación se incluyen con el juego de bomba de desagüe.

## VERIFIQUE LA OPERACION

- Ponga a funcionar la máquina para hacer hielo colocando el interruptor de servicio en "ON" (encendido) y abra la válvula de la línea de agua.
- **NOTA:** Hacia la izquierda es "OFF" (apagado), en el medio es "ON" (encendido) y a la derecha es "CLEAN" (limpiar). En la posición de "CLEAN" (limpiar) sólo la bomba opera.
- Revise el ventilador del condensador para asegurarse de que esté dando vueltas.
- El agua no entrará a la bandeja de agua de la bomba hasta que la placa de congelación se enfríe y la máquina para hacer hielo entre en un ciclo de recolectar el hielo.
- Revise que el flujo de agua sea uniforme sobre la placa de congelación. La máquina para hacer hielo debe estar nivelada para operar de manera correcta.
- Revise que el espesor de los cubos de hielo sea el deseado y después de 24 horas ajuste esto si es necesario. El rendimiento máximo de hielo se obtendrá con un espesor del hielo de 1/2" (1.25 cm) a 5/8" (1.50 cm).
- Reemplace la rejilla.



## ¿ALGUNA PREGUNTA? CONSULTE ESTAS SOLUCIONES

PROBLEMA	CAUSA POSIBLE
LA MAQUINA PARA HACER HIELO NO FUNCIONA	<ul style="list-style-type: none"> <li>• La perilla de control de ciclo debe estar en la posición de “ON” (encendido).</li> <li>• Revise que el cable de corriente esté conectado.</li> <li>• ¿Revisó la caja de fusibles o el interruptor de circuito?</li> <li>• La temperatura ambiente debe ser mayor que 55 °F. (13 °C.). De otro modo, el termostato del depósito puede percibir una temperatura fría en la habitación y cerrarse aunque el depósito no esté lleno de hielo. También es posible que la máquina para hacer hielo pueda no encenderse una vez que se ha apagado.</li> </ul>
LA MAQUINA PARA HACER HIELO OPERA PERO NO PRODUCE HIELO	<ul style="list-style-type: none"> <li>• La perilla de control de ciclo debe estar en la posición de “ON” (encendido).</li> <li>• Revise si está abierta la llave de suministro de agua.</li> <li>• Si la máquina para hacer hielo opera a más de 2000’ (610 m) de altitud o más sobre el nivel del mar, será necesario recalibrar tanto el termostato del depósito como el termostato de grosor del hielo. Vea las Instrucciones de instalación.</li> </ul>
LA MAQUINA PARA HACER HIELO OPERA PERO PRODUCE MUY POCO HIELO	<ul style="list-style-type: none"> <li>• La temperatura de la habitación puede ser extremadamente alta, más de 90 °F. (32 °C.). En este caso es normal que la producción de hielo sea baja.</li> <li>• La suciedad o la pelusa pueden estar obstruyendo el flujo de aire a través del condensador con rejillas. Necesita limpiar el condensador.</li> <li>• Revise para ver si la máquina para hacer hielo ha acumulado agua en el interior y en el sistema de congelación. Limpie si es necesario.</li> </ul>
LA REJILLA NO ESTA CORTANDO LAS PLACAS DE HIELO	<ul style="list-style-type: none"> <li>• Revise que el cableado de la rejilla esté bien conectado y de manera segura.</li> </ul>
LOS CUBOS DE HIELO TIENEN SABOR PECULIAR	<ul style="list-style-type: none"> <li>• Puede haber una cantidad muy elevada de minerales en el agua que entra. El agua puede necesitar filtrarse o tratarse.</li> <li>• No almacene ningún alimento en el depósito para hielo.</li> <li>• No se quitó todo el material de empaque.</li> </ul>

**Si necesita más ayuda...llame sin costo a:  
GE Answer Center®, 800.626.2000  
consumer information service**

---

# Estaremos Con Usted

Con la compra de su nuevo aparato GE recibirá la seguridad de que si alguna vez necesita información o asesoría de GE, estaremos a su disposición. Todo lo que tiene que hacer es llamar—¡sin costo! En GE Answer Center se habla español.

---

**GE Answer Center®**  
**800.626.2000**

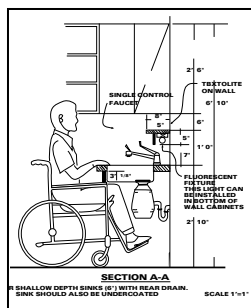
Cualquiera que sea su pregunta sobre alguno de los grandes aparatos de GE, el servicio de información de GE Answer Center será dispuesto a ayudar. Usted llama y su pregunta será contestada inmediatamente y con cortesía. Y usted puede llamar a cualquier hora. El servicio de GE Answer Center está abierto 7 días a la semana las 24 horas del día.

---

**Servicio de reparación en su hogar**  
**800-GE-CARES (800-432-2737)**

Un especialista del servicio al consumidor de GE le proporcionará el servicio especializado de reparación, programado a la hora más conveniente para usted. Muchos centros de servicio al consumidor de GE operados por la compañía le ofrecen servicio hoy o mañana o cuando a usted le convenga (7:00 am a 7:00 pm en días laborables y 9:00 am a 2:00 pm los sábados). Nuestros técnicos capacitados por la fábrica conocen su aparato por fuera y por dentro—así, la mayoría de las reparaciones se hacen en sólo una visita.

---



**Para clientes con necesidades especiales...**  
**800.626.2000**

Si se solicita, GE puede proporcionar controles Braille para numerosos aparatos, así como un folleto de ayuda en la planeación de una cocina sin barreras para personas limitadas en su movilidad. Para adquirir estos artículos, llamar sin costo al teléfono 800.626.2000.

Los consumidores con impedimentos de oído o de habla que tienen acceso a TDD o a algún teletipo convencional, llamar al 800-TDD-GEAC (800-833-4322) para solicitar información o servicio.

---

**Contratos de servicio**  
**800-626-2224**

Usted puede estar seguro de que el GE Consumer Service estará allí aún después de que expire su garantía. Compre usted un contrato de servicio mientras que esté vigente su garantía y recibirá un descuento considerable. Con un contrato para varios años, usted asegura el servicio futuro a los precios de hoy.

---

**Partes y accesorios**  
**800-626-2002**

Las personas calificadas para dar servicio a sus propios aparatos pueden solicitar las partes y accesorios necesarios que se les enviarán directamente a sus hogares. El sistema de refacciones de GE tiene acceso a más de 47000 partes, y todas las refacciones originales de GE cuentan con plena garantía. Se aceptan tarjetas VISA, Mastercard y Discover.

Las instrucciones de mantenimiento para el usuario que contiene este folleto cubren procedimientos que puede realizar cualquier usuario. Otro tipo de servicios los deberá ejecutar exclusivamente personal calificado. Es necesario tener precaución, ya que el servicio inadecuado puede ser causa de peligros en la operación.

# GARANTIA

DE SU MAQUINA PARA HACER HIELO GE

Engrape aquí la nota de caja o el cheque cancelado. Es necesario mostrar la fecha original de la compra para obtener servicio bajo garantía.

## LO QUE ESTA CUBIERTO

### GARANTIA COMPLETA POR UN AÑO

Durante un año a partir de la fecha de la compra original le proporcionaremos sin cargo alguno partes y servicio de mano de obra en su hogar para reparar o reponer **cualquier parte de la maquina para hacer hielo Monogram** que falle a causa de algún defecto de fabricación.

### GARANTIA COMPLETA POR CINCO AÑOS

Durante cinco años a partir de la fecha de la compra original, proporcionaremos sin cargo alguno partes y servicio de mano de obra en su hogar para reparar o reponer **cualquier parte del sistema sellado de la máquina para hacer hielo** (el compresor, el condensador, el evaporador y todas las tuberías de conexión) que falle a causa de algún defecto de fabricación.

\*\*\*\*\*

Esta garantía se extiende al comprador original y a cualquier propietario subsecuente por productos comprados para uso normal en el hogar en los 48 estados del continente, Hawai y Washington D.C. En Alaska valdrá la misma garantía pero con la LIMITACION de que el propietario pagará el costo del embarque al taller de servicio o los viáticos del técnico de servicio hasta su hogar.

Todos los servicios de garantía serán proporcionados por nuestros centros de servicio de fábrica (Factory Service) o por los técnicos autorizados de Atención al Cliente (Customer Care®) durante las horas laborables normales.

Si su aparato necesitara servicio durante el período de garantía o posteriormente, llámé a 800-GE-CARES (800-432-2737).

## LO QUE NO ESTA CUBIERTO

- Viajes de servicio a su hogar para mostrar cómo se usa el producto.

**Lea el material de Uso y cuidado.** Si aún tuviera alguna pregunta sobre cómo operar el producto, favor de contactar a nuestro representante o a nuestra oficina de Asuntos del consumidor (Consumer Affairs Office) en la dirección que aparece abajo o llámé sin cargo a:

GE Answer Center®  
800.626.2000  
consumer information service

- Instalación inadecuada.  
Si usted tiene algún problema de instalación, contacte a nuestro representante o instalador. Usted es responsable de proporcionar las instalaciones adecuadas de electricidad, plomería y otras conexiones.
- Reemplazo de fusibles del hogar o eliminación de cortocircuitos.
- Uso de un juego de bomba de desagüe no aprobado.
- Fallas del aparato si éste se usara para otros propósitos que los propuestos o se usara para fines comerciales.
- Daños al producto causados por accidentes, fuego, inundaciones o cualquier fuerza de causa mayor.
- Pérdida de alimentos a causa de averías.

LA EMPRESA QUE OTORGA LA GARANTIA NO ES RESPONSABLE DE DAÑOS CONSECUENTES.

Algunos estados no permiten la exclusión o la limitación de daños incidentales o consecuentes, de manera que la limitación o exclusión mencionada no sería válida para usted. Esta garantía le proporciona derechos legales específicos y usted podrá tener otros derechos más que varían de estado a estado. Para saber qué derechos legales tiene en su estado, consulte a la oficina local de derechos del consumidor o a la procuraduría de su estado.

**Empresa que otorga la garantía: General Electric Company**  
**Si necesitara asesoría con respecto a esta garantía, escriba a:**  
**Manager—Consumer Affairs, GE Appliances, Louisville, KY 40225**

2180919

ZDIB50, ZDIW50

Part No. 162D7745P002  
Pub. No. 49-6857

Impreso en los Estados Unidos

---

# NOTAS