

# KENWOOD

**KRC-291**

**KRC-26**

**KRC-191**

**KRC-16**

CASSETTE RECEIVER

## **INSTRUCTION MANUAL**

KENWOOD CORPORATION



CH 01

© B64-2106-00 (EW/EN)

## Contents

<i>Safety precautions</i> .....	3	<i>External disc control features</i> ..	14	<i>Accessories</i> .....	21
<i>About Cassette tape</i> .....	4	Playing External Disc		<i>Installation Procedure</i> .....	21
<i>About RDS</i> .....	4	Fast Forwarding and Reversing		<i>Connecting Cables</i>	
<i>General features</i> .....	5	Track Search		<i>to Terminals</i> .....	22
Power		Album Search		<i>Installation</i> .....	23
Volume		Track/Album Repeat		<i>Troubleshooting Guide</i> .....	25
Attenuator		Track Scan		<i>Specifications</i> .....	28
Selecting the Source		Disc Scan			
Loudness		Random Play			
dB (Sound Coordinate)		Magazine Random Play			
Audio Control		Disc Naming (DNPS)			
Switching Display		Text/Title Scroll			
TEL Mute					
Theft Deterrent Faceplate		<i>Menu system</i> .....	17		
<i>Tuner features</i> .....	8	Menu System			
Tuning		Touch Sensor Tone			
Station Preset Memory		Manual Clock Adjustment			
Auto Memory Entry		Synchronize Clock			
Preset Tuning		Power OFF Timer			
<i>RDS features</i> .....	10	News Bulletin with Timeout Setting			
Traffic Information		Local Seek			
Presetting Volume for Traffic Information		Tuning Mode			
PTY (Program Type)		Auto Memory Entry			
Program Type Preset		AF (Alternative Frequency)			
Changing Language for PTY Function		Restricting RDS Region			
<i>Cassette player features</i> .....	13	(Region Restrict Function)			
Playing Cassette Tapes		Auto TP Seek			
Fast Forwarding and Rewinding		Monaural Reception			
Tuner Call		Text Scroll			

## Safety precautions

---

### WARNING

#### **To prevent injury and/or fire, take the following precautions:**

- Insert the unit all the way until it is fully locked in place. Otherwise it may fly out of place during collisions and other jolts.
- When extending the ignition, battery or ground wires, make sure to use automotive-grade wires or other wires with an area of 0.75mm<sup>2</sup> (AWG18) or more to prevent wire deterioration and damage to the wire coating.
- To prevent short circuits, never put or leave any metallic objects (e.g., coins or metal tools) inside the unit.
- If the unit starts to emit smoke or strange smells, turn off the power immediately and consult your Kenwood dealer.
- Make sure not to get your fingers caught between the faceplate and the unit.
- Be careful not to drop the unit or subject it to strong shock.  
The unit may break or crack because it contains glass parts.
- Do not touch the liquid crystal fluid if the LCD is damaged or broken due to shock. The liquid crystal fluid may be dangerous to your health or even fatal.  
If the liquid crystal fluid from the LCD contacts your body or clothing, wash it off with soap immediately.

### CAUTION

#### **To prevent damage to the machine, take the following precautions:**

- Make sure to ground the unit to a negative 12V DC power supply.
- Do not open the top or bottom covers of the unit.
- Do not install the unit in a spot exposed to direct sunlight or excessive heat or humidity. Also avoid places with too much dust or the possibility of water splashing.
- Do not set the removed faceplate or the faceplate case in areas exposed to direct sunlight, excessive heat or humidity. Also avoid places with too much dust or the possibility of water splashing.
- To prevent deterioration, do not touch the terminals of the unit or faceplate with your fingers.
- Do not subject the faceplate to excessive shock, as it is a piece of precision equipment.
- When replacing a fuse, only use a new one with the prescribed rating. Using a fuse with the wrong rating may cause your unit to malfunction.
- To prevent short circuits when replacing a fuse, first disconnect the wiring harness.
- Do not place any object between the faceplate and the unit.
- During installation, do not use any screws except for the ones provided. The use of improper screws might result in damage to the main unit.

### IMPORTANT INFORMATION

#### **About the disc changer to be connected:**

To connect a disc changer having the "O-N" switch to this unit, set the "O-N" switch to "N". To connect a disc changer having no "O-N" switch to this unit, the converter cord CA-DS100 and/or switching adapter KCA-S210A are required as options.

A disc changer doesn't work when it is connected without using these options. If a model with no "O-N" switch is connected, some unavailable functions and information that cannot be displayed are generated. Note that none of the KDC-C100, KDC-C302, C205, C705, and non-Kenwood CD changers can be connected.

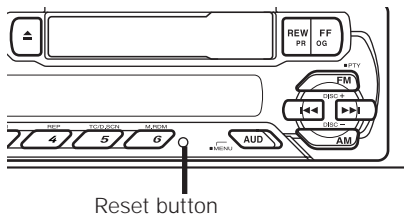


You can damage both your unit and the CD changer if you connect them incorrectly.

## Safety precautions

### NOTE

- If you experience problems during installation, consult your Kenwood dealer.
- If the unit does not seem to be working right, try pressing the reset button first. If that does not solve the problem, consult your Kenwood dealer.
- Press the reset button if the Disc auto changer fails to operate correctly. Normal operation should be restored.



- Characters in the LCD may become difficult to read in temperatures below 41 °F (5 °C).
- The illustrations of the display and the panel appearing in this manual are examples used to explain more clearly how the controls are used. Therefore, what appears on the display in the illustrations may differ from what appears on the display on the actual equipment, and some of the illustrations on the display may represent something impossible in actual operation.

### Cleaning the Faceplate Terminals

If the terminals on the unit or faceplate get dirty, wipe them with a dry, soft cloth.

### Cleaning the Unit

If the faceplate of this unit is stained, wipe it with a dry soft cloth such as a silicon cloth. If the faceplate is stained badly, wipe the stain off with a cloth moistened with neutral cleaner, then wipe neutral detergent off.

- ⚠ Applying spray cleaner directly to the unit may affect its mechanical parts. Wiping the faceplate with a hard cloth or using a volatile liquid such as thinner or alcohol may scratch the surface or erases characters.

## About Cassette tape

### Cleaning the tape head

When there's noise or the sound quality is bad during tape play the tape head maybe dirty, clean the tape head.

### About Cassette tape

- If the tape is slack tighten it.
- If the cassette tape label is peeling off glue it on again.
- Don't use deformed cassette tape.
- Don't place cassette tape on the dashboard etc. where the temperature is high.
- Don't use cassette tape that's 100 minutes long or longer.

## About RDS

### RDS (Radio Data System)

When listening to an RDS station, the programme service name of the station is displayed, advising you quickly which station is being received.

RDS (Radio Data System) stations also transmit frequency data for the same station. When you are making long trips, this function automatically alternative switches to the particular frequency with the best reception for the particular network of stations that you want to listen to. The data is automatically stored, allowing you to switch quickly to another RDS stations, broadcasting the same programme, that has better reception. These include stations stored in the station preset memory that you often listen to.

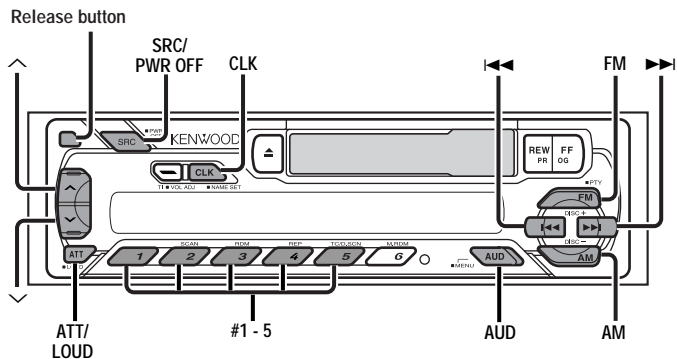
### Enhanced Other Network

Stations that offer <Enhanced Other Network> also transmit information about other RDS stations that have traffic information. When you are tuned to a station that is not transmitting traffic information, but another RDS station starts transmitting a traffic bulletin, the tuner automatically switches to the other station for the duration of the bulletin.

### Alarm

When an emergency transmission (announcing disasters, etc.) is sent, all current functions are interrupted to allow the warning to be received.

## General features



ATT indicator



LOUD indicator

### Power

*Turning ON the Power*

Press the [SRC] button.

*Turning OFF the Power*

Press the [PWR OFF] button for at least 1 second.

### Volume

*Increasing Volume*

Press the [^] button.

*Decreasing Volume*

Press the [v] button.

### Attenuator

Turning the volume down quickly.

Press the [ATT] button.

Each time the button is pressed the Attenuator turns ON or OFF. When it's ON, the "ATT" indicator blinks.

## General features

### Selecting the Source

Press the [SRC] button.

Source required	Display
Tuner	"TUNER"
Tape	"TAPE"
External disc (KRC-291/ 26 only)	"DISC"
Standby (Illumination only mode)	"ALL OFF"



This unit automatically turns full power OFF after 20 minutes lapses in Standby mode in order to save the vehicles battery. The time until full power OFF can be set in <Power OFF Timer> (page 18).

### Loudness

Compensating for low and high tones during low volume.

Press the [LOUD] button for at least 1 second.

Each time the button is pressed for at least 1 second the Loudness turns ON or OFF.

When it's ON, "LOUD" indicator is ON.

### dB (Sound Coordinate)

You can recall the best sound setting preset for different types of the music.

#### 1 Select the source to set

Press the [SRC] button.

#### 2 Enter Control mode

Press the [AUD] button.

#### 3 Select the Audio item for adjustment

Press the [FM] or [AM] button.

Select the "DB " display.

#### 4 Select the Sound type

Press the [#1] — [#5] button.

Press button	Sound setting	Display
[#1]	Flat	"DB FLAT"
[#2]	Rock	"DB ROCK"
[#3]	Pops	"DB POPS"
[#4]	Jazz	"DB JAZZ"
[#5]	Easy	"DB EASY"



When the dB(Sound Coordinate) setting is changed, the Bass and Treble set in audio control replace the dB(Sound Coordinate) values.

#### 5 Exit Control mode

Press the [AUD] button.

### Audio Control

#### 1 Select the source for adjustment

Press the [SRC] button.

#### 2 Enter Audio Control mode

Press the [AUD] button.

#### 3 Select the Audio item for adjustment

Press the [FM] or [AM] button.

Each time the button is pressed the items that can be adjusted switch as shown below.

#### 4 Adjust the Audio item

Press the [◀◀] or [▶▶] button.

<b>Adjustment Item</b>	<b>Display</b>	<b>Range</b>
Bass level	"BAS"	-8 — +8
Treble level	"TRE"	-8 — +8
Balance	"BAL"	L15 — R15
Fader	"FAD"	R15 — F15

#### 5 Exit Audio Control mode

Press the [AUD] button.

### Switching Display

Switching the information displayed.

Press the [CLK] button.

Each time the button is pressed the display switches as shown below.

*In Tuner source*

#### **Information**

Program Service name or Frequency

Clock

#### **Displaying the frequency during Program Service name reception**

Press the [CLK] button for at least 2 seconds.

The frequency for the RDS station will be displayed for 5 seconds instead of the station name.

*In Tape source*

#### **Information**

Play side

Clock

*In External disc source (KRC-291/26)*

#### **Information**

#### **Display**

Track Time

Disc name

"D-NAME"

Disc title

"D-TITLE"

Track title

"T-TITLE"

Clock

### TEL Mute

The audio system automatically mutes when a call comes in.

*When a call comes in*

"CALL" is displayed.

The audio system pauses.

*Listening to the audio during a call*

Press the [SRC] button.

The "CALL" display disappears and the audio system comes back ON.

*When the call ends*

Hang up the phone.

The "CALL" display disappears and the audio system comes back ON.

## General features

### Theft Deterrent Faceplate

The faceplate of the unit can be detached and taken with you, helping to deter theft.

#### Removing the Faceplate

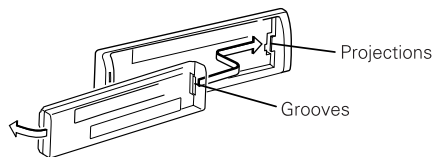
Press the Release button.

The faceplate is unlocked, allowing you to detach it.

- ⚠ • The faceplate is a precision piece of equipment and can be damaged by shocks or jolts. For that reason, keep the faceplate in its special storage case while detached.
- Do not expose the faceplate or its storage case to direct sunlight or excessive heat or humidity. Also avoid places with too much dust or the possibility of water splashing.

#### Reattaching the Faceplate

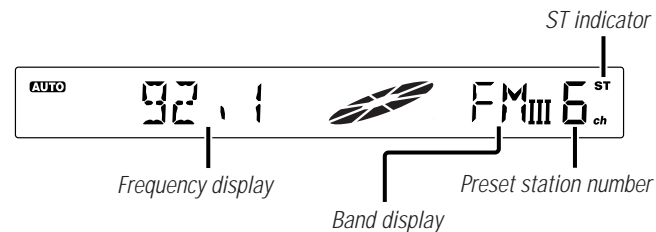
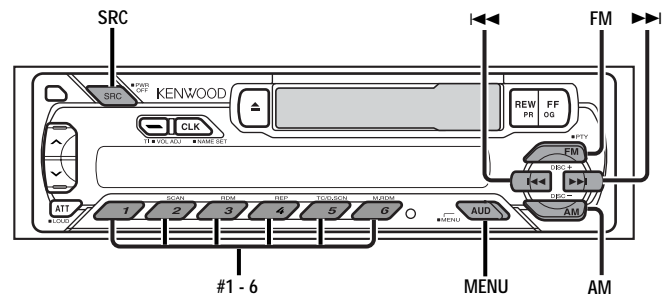
- 1 Align the projections on the unit with the grooves on the faceplate.



- 2 Push the faceplate in until it clicks.

The faceplate is locked in place, allowing you to use the unit.

## Tuner features





## Tuning

Selecting the station.

### 1 Select tuner source

Press the [SRC] button.  
Select the "TUNER" display.

### 2 Select the band

Press the [FM] or [AM] button.  
Each time the [FM] button is pressed it switches between the FM1, FM2, and FM3 bands.

### 3 Tune up or down the band

Press the [◀◀] or [▶▶] button.



During reception of stereo stations the "ST" indicator is ON.

## Station Preset Memory

Putting the station in the memory.

### 1 Select the band

Press the [FM] or [AM] button.

### 2 Select the frequency to put in the memory

Press the [◀◀] or [▶▶] button.

### 3 Put the frequency in the memory

Press the [#1] — [#6] button for at least 2 seconds.  
The preset number display blinks 1 time.  
On each band, 1 station can be put in the memory on each [#1] — [#6] button.

## Auto Memory Entry

Putting a station with good reception in the memory automatically.

### 1 Select the band for Auto Memory Entry

Press the [FM] or [AM] button.

### 2 Enter Menu mode

Press the [MENU] button for at least 1 second.  
"MENU" is displayed.

### 3 Select the Auto Memory Entry mode

Press the [FM] or [AM] button.  
Select the "A-MEMORY" display.

### 4 Open Auto Memory Entry

Press the [◀◀] or [▶▶] button for at least 2 seconds.  
When 6 stations that can be received are put in the memory Auto Memory Entry closes.



- When the <AF Function> (page 19) is ON, only RDS stations are put in the memory.
- When Auto Memory Entry is done in the FM2 band, the RDS stations preset in the FM1 band aren't put in the memory. Likewise, when it is done in the FM3 band, RDS stations preset in FM1 or FM2 aren't put in the memory.

## Preset Tuning

Calling up the stations in the memory.

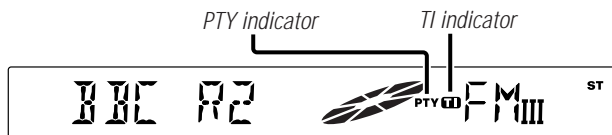
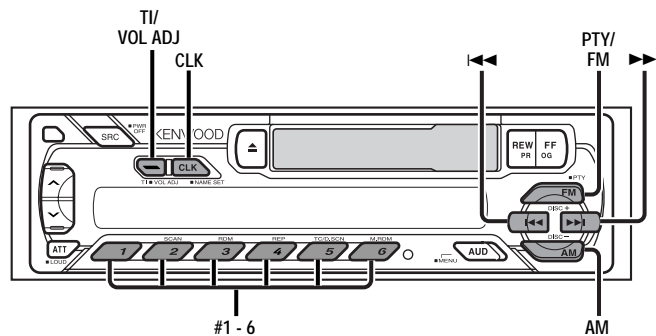
### 1 Select the band

Press the [FM] or [AM] button.

### 2 Call up the station

Press the [#1] — [#6] button.

## RDS features



### Traffic Information

Switching to traffic information automatically when a traffic bulletin starts even when you aren't listening to the radio.

Press the [TI] button.

Each time the button is pressed the Traffic Information function turns ON or OFF.

When it's ON, "TI" indicator is ON.


When a traffic information station isn't being received the "TI" indicator blinks.

When a traffic bulletin starts, "TRAFFIC" is displayed it and it switches to traffic information.

 During reception of a AM station when the Traffic Information function is turned ON, it switches to a FM station.

#### Receiving other traffic information stations

Press the [◀◀] or [▶▶] button.

 Traffic information station switching can be done when listening to the radio.

### Presetting Volume for Traffic Information

Setting the volume during Traffic Information.

- 1 Receive the station.
- 2 Set the volume you want.

#### 3 Preset the volume

Press the [VOL ADJ] button for at least 2 seconds.

The volume level display blinks 1 time.

## PTY (Program Type)

Selecting the Program Type and searching for a station.

### 1 Enter PTY mode

Press the [PTY] button for at least 1 second.

During PTY mode the "PTY" indicator is ON.



This function can't be used during a traffic bulletin or AM reception.

### 2 Select the Program Type

Press the [FM] or [AM] button.

Each time the button is pressed the Program Type switches as shown below.

No.	Program Type	Display
1.	Music	"MUSIC"
2.	Speech	"SPEECH"
3.	News	"NEWS"
4.	Current Affairs	"AFFAIRS"
5.	Information	"INFO"
6.	Sport	"SPORT"
7.	Education	"EDUCATE"
8.	Drama	"DRAMA"
9.	Culture	"CULTURE"
10.	Science	"SCIENCE"
11.	Varied	"VARIED"
12.	Pop Music	"POP M"
13.	Rock Music	"ROCK M"
14.	Easy Listening Music	"EASY M"
15.	Light Classical	"LIGHT M"
16.	Serious Classical	"CLASSICS"
17.	Other Music	"OTHER M"
18.	Weather	"WEATHER"
19.	Finance	"FINANCE"
20.	Children's programs	"CHILDREN"

21.	Social Affairs	"SOCIAL A"
22.	Religion	"RELIGION"
23.	Phone In	"PHONE IN"
24.	Travel	"TRAVEL"
25.	Leisure	"LEISURE"
26.	Jazz Music	"JAZZ"
27.	Country Music	"COUNTRY"
28.	National Music	"NATION M"
29.	Oldies Music	"OLDIES"
30.	Folk Music	"FOLK M"
31.	Documentary	"DOCUMENT"



- Speech and Music include the Program type shown below.  
Music: No.12 — 17, 26 — 30  
Speech: No.3 — 11, 18 — 25, 31
- The Program Type can be put in the [#1] — [#6] button memory and called up quickly. Refer to the <Program Type preset> (page 12).
- The display language can be changed. Refer to <Changing Language for PTY Function> (page 12).

### 3 Search for the selected Program Type station

Press the [◀◀] or [▶▶] button.

When you want to search for other stations press the [◀◀] or [▶▶] button again.



- When the selected Program Type isn't found, "NO PTY" is displayed. Select another Program Type.

### 4 Exit PTY mode

Press the [PTY] button for at least 1 second.

## RDS features

### Program Type Preset

Putting the Program Type in the Preset button memory and calling it up quickly.

*Presetting the Program Type*

#### 1 Select the Program Type to preset

Refer to <PTY(Program Type)> (page 11).

#### 2 Preset the Program Type

Press the [#1] — [#6] button for at least 2 seconds.

*Calling up the preset Program Type*

#### 1 Enter PTY mode

Refer to <PTY(Program Type)> (page 11).

#### 2 Call up the Program Type

Press the [#1] — [#6] button.

#### 4 Exit Changing Language mode

Press the [CLK] button.

### Changing Language for PTY Function

Selecting the Program Type display language.

#### 1 Enter PTY mode

Refer to <PTY (Program Type)> (page 11).

#### 2 Enter Changing Language mode

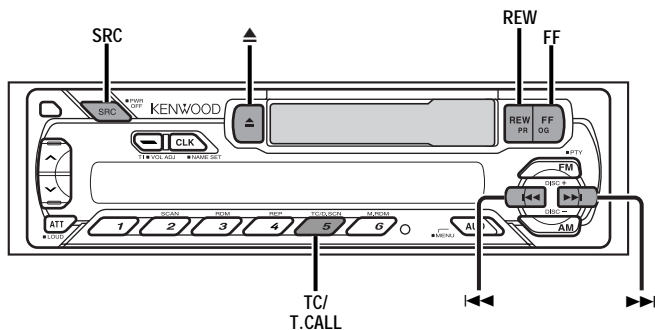
Press the [CLK] button for at least 2 seconds.

#### 3 Select the language

Press the [#1] — [#3] button.

Button	Language
[#1]	English
[#2]	French
[#3]	German

## Cassette player features



### Playing Cassette Tapes

*When the Cassette Tape is inserted*

Press the [SRC] button.

Select the "TAPE" display.

*When you want to listen to the reverse side*

Press the [REW] and [FF] button at the same time.

*Eject the Cassette Tape*

Press the [▲] button.

### Fast Forwarding and Rewinding

*Fast Forwarding*

Press the [FF] button.

If it's stopped press [REW] button.

*Rewinding*

Press the [REW] button.

If it's stopped press the [FF] button.



*Tape indicator*

### Tuner Call

Switching to the radio automatically during Fast Forwarding and Rewinding.

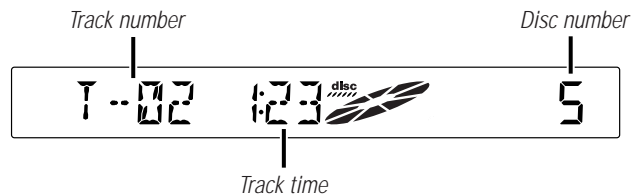
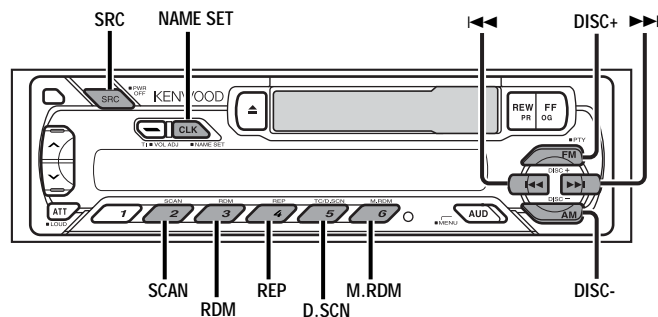
Press the [TC]/[T.CALL] button.

Each time the button is pressed the Tuner Call turns ON or OFF.

When it's ON, "TC ON" is displayed.

## External disc control features

Function of the KRC-291/KRC-26



### Playing External Disc

Playing discs set in the optional accessory disc player connected to this unit.

Press the [SRC] button.

Select the display for the disc player you want.

Display examples:

Display	Disc player
"CD"	CD player
"DISC"	CD changer/MD changer

- Disc #10 is displayed as "0".
- The functions that can be used and the information that can be displayed will differ depending on the external disc players being connected.

### Fast Forwarding and Reversing

#### Fast Forwarding

Hold down on the [▶▶] button.

Release your finger to play the disc at that point.

#### Reversing

Hold down on the [◀◀] button.

Release your finger to play the disc at that point.

## Track Search

Selecting the song you want to hear.

Press the [◀◀] or [▶▶] button.

## Album Search (Function of disc changer)

Selecting the disc you want to hear.

Press the [DISC-] or [DISC+] button.

## Track/Album Repeat

Replaying the track/disc you're listening to.

Press the [REP] button.

Each time the button is pressed the Repeat Play switches as shown below.

<b>Repeat play</b>	<b>Display</b>
Track Repeat	"TREP ON"/"REP ON"
Album Repeat (Function of disc changer)	"DREP ON"
OFF	"REP OFF"

## Track Scan

Playing the first part of each song on the disc you are listening to and searching for the song you want to listen to.

### 1 Start Track Scan

Press the [SCAN] button.

"TSCN/SCAN ON" is displayed.

### 2 Release it when the song you want to listen to is played

Press the [SCAN] button.

## Disc Scan (Function of disc changer)

Successively play the beginning of each disc on a changer until you find the one that you want to listen to.

### 1 Start Disc Scan

Press the [D.SCN] button.

"DSCN ON" is displayed.

The disc number blinks.

### 2 Release it when the disc you want to listen to is played

Press the [D.SCN] button.

## Random Play

Playing all the songs on the disc in random order.

Press the [RDM] button.

Each time the button is pressed Random Play turns ON or OFF. When it's ON, "RDM ON" is displayed.



When the [▶▶] button is pressed, the next song select starts.

## External disc control features

### Function of the KRC-291/KRC-26

#### Magazine Random Play (Function of disc changer)

Play the songs on all the discs in the disc changer in random order.

Press the [M.RDM] button.

Each time the button is pressed the Magazine Random Play turns ON or OFF.

When it's ON, "MRDM ON" is displayed.



When the [▶▶] button is pressed, the next song select starts.

- Media that you can attach names to
  - External CD changer/ player: Varies according to the CD changer/ player. Refer to the CD changer/ player manual.
- The name of a CD can be changed by the same operation you used to name it.

#### Text/Title Scroll

Scrolling the displayed CD text or MD title.

Press the [CLK] button for at least 1 second.

#### Disc Naming (DNPS)

Attaching a title to a CD.

##### 1 Play the disc you want to attach a name to



- A title can't be attached to a MD.
- Disc Naming can't be done during CD text display.

##### 2 Enter name set mode

Press the [NAME SET] button for at least 2 seconds.

"NAME SET" is displayed.

##### 3 Move the cursor to the enter character position

Press the [◀◀] or [▶▶] button.

##### 4 Select the characters

Press the [FM] or [AM] button.

##### 5 Repeat steps 3 through 4 and enter the name.

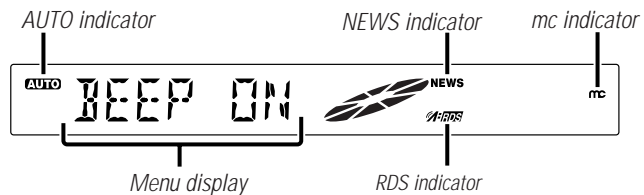
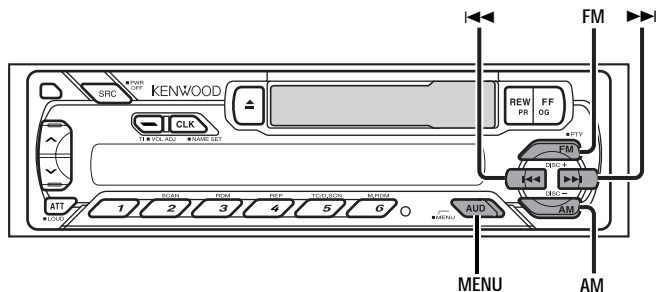
##### 6 Exit name set mode

Press the [NAME SET] button.



- When operation stops for 10 seconds the name at that time is registered, and Name Set mode closes.





## Menu System

Setting during operation beep sound etc. functions. The Menu system basic operation method is explained here. The reference for the Menu items and their setting content is after this operation explanation.

### 1 Enter Menu mode

Press the [MENU] button for at least 1 second.  
"MENU" is displayed.

### 2 Select the menu item

Press the [FM] or [AM] button.  
Example: When you want to set the beep sound select the "BEEP" display.

### 3 Set the menu item

Press the [◀◀] or [▶▶] button.  
Example: When "BEEP" is selected, each time the button is pressed it switches "BEEP ON" or "BEEP OFF". Select 1 of them as the setting.  
You can continue to step 2 and setting other items.

### 4 Exit Menu mode

Press the [MENU] button.



When other items that are applicable to the basic operation method above are displayed afterwards their setting content chart is entered. (Normally the uppermost setting in the chart is the original setting.)  
Also, the explanation for items that aren't applicable (<Manual Clock Adjustment>etc.) are entered step by step.


## Menu system

### Touch Sensor Tone

Setting the operation check sound (beep sound) ON/OFF.

Display	Setting
"BEEP ON"	Beep is heard.
"BEEP OFF"	Beep canceled.

### Manual Clock Adjustment

 This adjustment can be done when the <Synchronize Clock> (page 18) is set as OFF.

#### 1 Select Clock Adjustment mode

Press the [FM] or [AM] button.  
Select the "CLK ADJ" display.

#### 2 Enter Clock Adjust mode

Press the [◀◀] or [▶▶] button for at least 2 seconds.  
The clock display blinks.

#### 3 Adjust the hours

Press the [FM] or [AM] button.

##### Adjust the minutes

Press the [◀◀] or [▶▶] button.

#### 4 Exit Clock adjustment mode

Press the [MENU] button.

### Synchronize Clock

Synchronizing the RDS station time data and this unit's clock.

Display	Setting
"SYNC ON"	Synchronizes the time.
"SYNC OFF"	Adjust the time manually.

 It takes 3 to 4 minutes to synchronize the clock.

### Power OFF Timer

Setting the timer to turn this unit's power OFF automatically when Standby mode continues.

Using this setting can save the vehicle's battery power.

Display	Setting
"OFF - - -"	Power OFF Timer function is OFF.
"OFF 20M"	Turns the power OFF after 20 minutes.
(Original setting)	
"OFF 40M"	Turns the power OFF after 40 minutes.
"OFF 60M"	Turns the power OFF after 60 minutes.

### News Bulletin with Timeout Setting

It switches automatically when a news bulletin starts even if the radio isn't being listened to. Also, the time interval when interrupt is prohibited can be set.

## Display and Setting

"NEWS OFF"

"NEWS 00M"

...

"NEWS 90M"

When "NEWS 00M" — "NEWS 90M" is set, the News Bulletin Interrupt function is ON.

When it's ON, the "NEWS" indicator is ON.

When the news bulletin starts, "NEWS" is displayed, and it switches to the news bulletin.



- If you choose the "20M" setting, further news bulletins will not be received for 20 minutes once the first news bulletin is received.
- The news bulletin volume is the same level that was set for traffic information (page 10).
- This function is only available if the desired station sends PTY-code for news bulletin or belongs to <Enhanced Other Network>-Network sending PTY-code for news bulletin.
- When the News Bulletin Interrupt function is ON, it switches to an FM station.

## Local Seek <In Tuner mode>

Only stations whose reception is good are searched for in auto seek tuning.

Display	Setting
"LO.S OFF"	The local seek function is OFF.
"LO.S ON"	The local seek function is ON.

## Tuning Mode <In Tuner mode>

Sets the tuning mode.

Tuning mode	Display	Operation
Auto seek	"AUTO 1"	Automatic search for a station.
Preset station seek	"AUTO 2"	Search in order of the stations in the Preset memory.
Manual	"MANUAL"	Normal manual tuning control.

## Auto Memory Entry <In Tuner mode>

For the operation method refer to <Auto Memory Entry> (9 page).

## AF (Alternative Frequency)

When poor reception is experienced, automatically switch to another frequency broadcasting the same program in the same RDS network with better reception.

Display	Setting
"AF ON"	The AF function is ON.
"AF OFF"	The AF function is OFF.

When the AF function is ON, the "RDS" indicator is ON.



When no other stations with stronger reception are available for the same program in the RDS network, you may hear the incoming broadcast in bits and snatches. Turn OFF the AF function in such a case.

## Menu system

### Restricting RDS Region (Region Restrict Function)

You can choose whether or not to restrict the RDS channels, received with the AF function for a particular network, to a specific region.

Display	Setting
"REG ON"	The Region Restrict Function is ON.
"REG OFF"	The Region Restrict Function is OFF.



Sometimes stations in the same network broadcast different programs or use different program service names.

### Auto TP Seek

When the TI function is ON and poor reception conditions are experienced when listening to a traffic information station, another traffic information station with better reception will be searched for automatically.

Display	Setting
"ATPS ON"	The Auto TP Seek Function is ON.
"ATPS OFF"	The Auto TP Seek Function is OFF.

### Monaural Reception <In FM reception>

Noise can be reduced when stereo broadcasts are received as monaural.

Display	Setting
"MONO OFF"	The monaural reception is OFF.
"MONO ON"	The monaural reception is ON.

When the Monaural Reception function is ON, the "mc" indicator is ON.

*Function of the KRC-291/KRC-26*

### Text Scroll <In External disc control mode>

Setting the displayed text scroll.

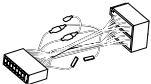


Display	Setting
"SCL MANU"	Doesn't scroll.
"SCL AUTO"	Scrolls when the display changes.




The text scrolled is shown below.

- CD text
- MD title

## Accessories

	External view	Number of items
①		.....1
②		.....2
③		.....1

 The use of any accessories except for those provided might result in damage to the unit. Make sure only to use the accessories shipped with the unit, as shown above.

## Installation Procedure

1. To prevent short circuits, remove the key from the ignition and disconnect the ⊖ terminal of the battery.
2. Make the proper input and output wire connections for each unit.
3. Connect the wire on the wiring harness.
4. Take Connector B on the wiring harness and connect it to the speaker connector in your vehicle.
5. Take Connector A on the wiring harness and connect it to the external power connector on your vehicle.
6. Connect the wiring harness connector to the unit.
7. Install the unit in your car.
8. Reconnect the ⊖ terminal of the battery.
9. Press the reset button.

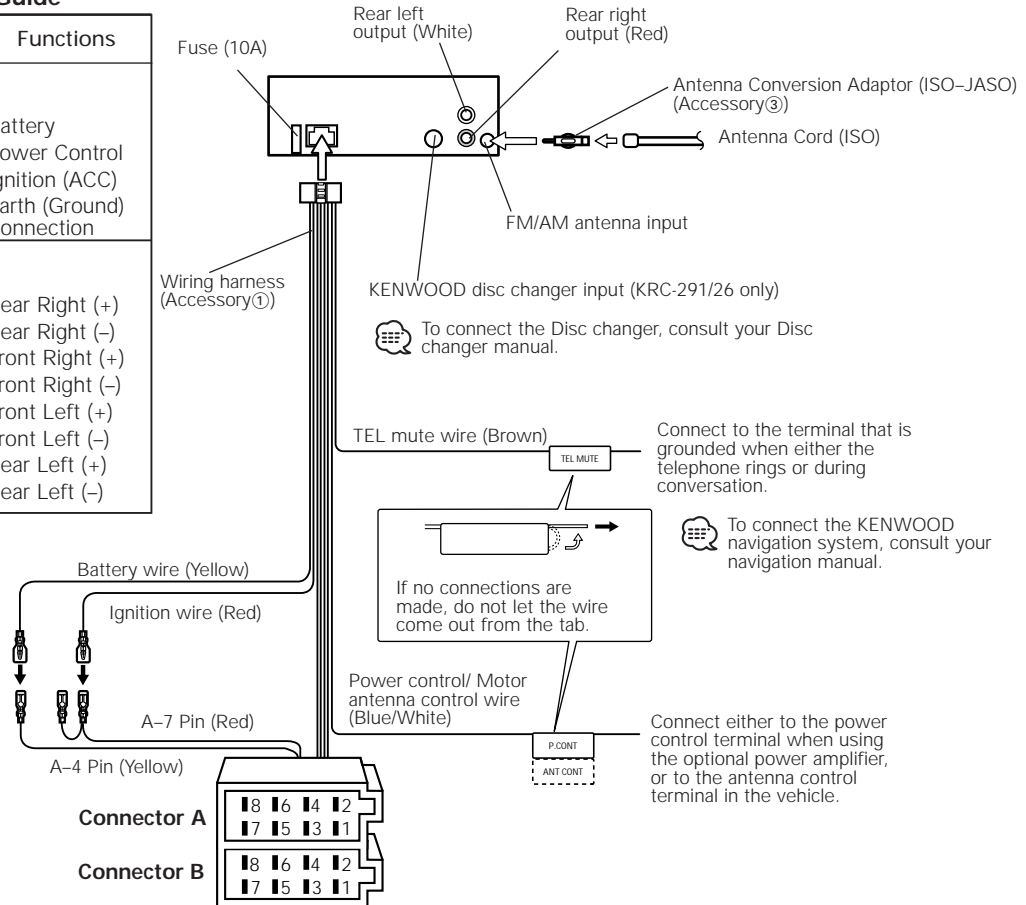
### ▲CAUTION

- If your car is not prepared for this special connection-system, consult your Kenwood dealer.
- Only use antenna conversion adapters (ISO-JASO) when the antenna cord has an ISO plug.
- Make sure that all wire connections are securely made by inserting jacks until they lock completely.
- If your vehicle's ignition does not have an ACC position, or if the ignition wire is connected to a power source with constant voltage such as a battery wire, the power will not be linked with the ignition (i.e., it will not turn on and off along with the ignition). If you want to link the unit's power with the ignition, connect the ignition wire to a power source that can be turned on and off with the ignition key.
- If the fuse blows, first make sure that the wires have not caused a short circuit, then replace the old fuse with one with the same rating.
- Insulate unconnected wires with vinyl tape or other similar material. To prevent short circuits, also do not remove the caps on the ends of the unconnected wires or the terminals.
- Connect the speaker wires correctly to the terminals to which they correspond. The unit may receive damage or fail to work if you share the ⊖ wires and/or ground them to any metal part in the car.
- After the unit is installed, check whether the brake lamps, indicators, wipers, etc. on the car are working properly.
- If the console has a lid, make sure to install the unit so that the faceplate does not hit the lid when closing and opening.

## Connecting Cables to Terminals

### Connector Function Guide

Pin Numbers for ISO Connectors	Cable Color	Functions
<b>External Power Connector</b>		
A-4	Yellow	Battery
A-5	Blue/White	Power Control
A-7	Red	Ignition (ACC)
A-8	Black	Earth (Ground) Connection
<b>Speaker Connector</b>		
B-1	Purple	Rear Right (+)
B-2	Purple/Black	Rear Right (-)
B-3	Gray	Front Right (+)
B-4	Gray/Black	Front Right (-)
B-5	White	Front Left (+)
B-6	White/Black	Front Left (-)
B-7	Green	Rear Left (+)
B-8	Green/Black	Rear Left (-)



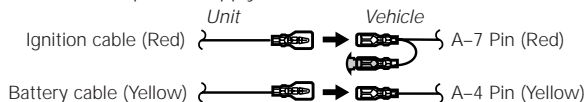
## Connecting Wires to Terminals

### **▲WARNING** Connecting the ISO Connector (see p.22)

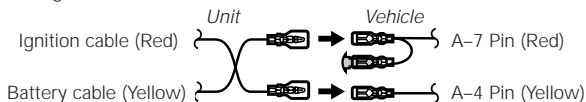
The pin arrangement for the ISO connectors depends on the type of vehicle you drive. Make sure to make the proper connections to prevent damage to the unit.

The default connection for the wiring harness is described in **1** below. If the ISO connector pins are set as described in **2** or **3**, make the connection as illustrated.

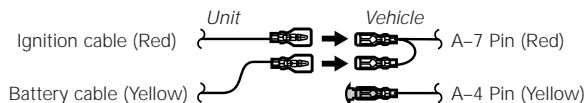
- 1** (Default setting) The A-7 pin (red) of the vehicle's ISO connector is linked with the ignition, and the A-4 pin (yellow) is connected to the constant power supply.



- 2** The A-7 pin (red) of the vehicle's ISO connector is connected to the constant power supply, and the A-4 pin (yellow) is linked to the ignition.



- 3** The A-4 pin (yellow) of the vehicle's ISO connector is not connected to anything, while the A-7 pin (red) is connected to the constant power supply (or both the A-7 (red) and A-4 (yellow) pins are connected to the constant power supply).

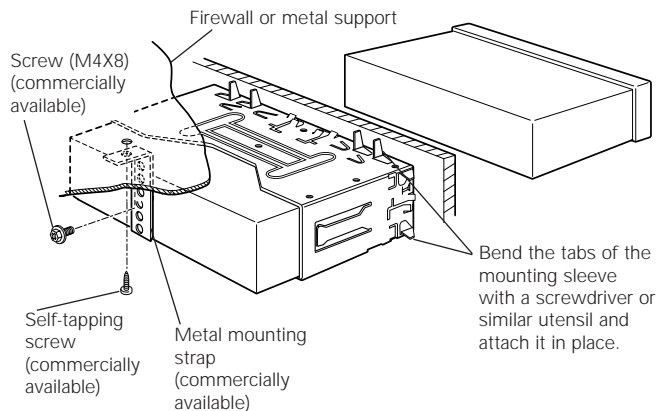


When the connection is made as in **3** above, the unit's power will not be linked to the ignition key. For that reason, always make sure to turn off the unit's power when the ignition is turned off.

To link the unit's power to the ignition, connect the ignition cable (ACC...red) to a power source that can be turned on and off with the ignition key.

## Installation

### ■ Installation

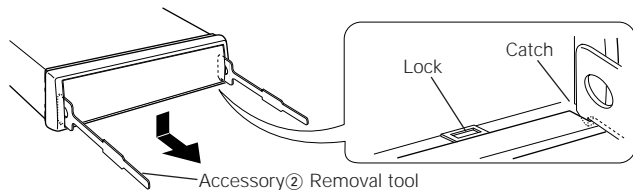


Make sure that the unit is installed securely in place. If the unit is unstable, it may malfunction (eg, the sound may skip).

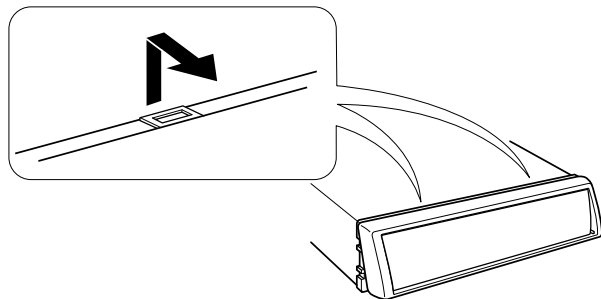
## Installation

### ■ Removing the hard rubber frame

- 1 Engage the catch pins on the removal tool and remove the two locks on the lower level.  
Lower the frame and pull it forward as shown in the figure.



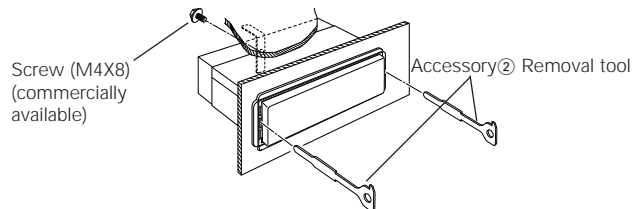
- 2 When the lower level is removed, remove the upper two locations.



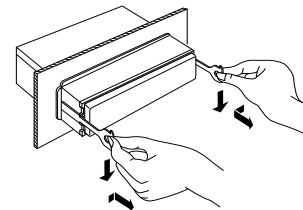
The frame can be removed from the top side in the same manner.

### ■ Removing the Unit

- 1 Refer to the section "Removing the hard rubber frame" and then remove the hard rubber frame.
- 2 Remove the screw (M4x8) on the back panel.
- 3 Insert the two removal tools deeply into the slots on each side, as shown.

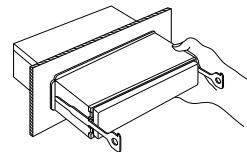


- 4 Lower the removal tool toward the bottom, and pull out the unit halfway while pressing towards the inside.



Be careful to avoid injury from the catch pins on the removal tool.

- 5 Pull the unit all the way out with your hands, being careful not to drop it.





## Troubleshooting Guide

---

**What might seem to be a malfunction in your unit may just be the result of slight misoperation or miswiring. Before calling service, first check the following table for possible problems.**

### General

#### ? The power does not turn ON.

- ✓ The fuse has blown.
    - ☞ After checking for short circuits in the wires, replace the fuse with one with the same rating.
  - ✓ No ACC position on vehicle ignition.
    - ☞ Connect the same cable to the ignition as the battery cable.
- 

#### ? If you have selected Standby mode, the power will go OFF automatically.

- ✓ The Power OFF Timer function has been activated.
    - ☞ If you do not want the power to go OFF automatically, cancel the Power OFF Timer function.
- 

#### ? Nothing happens when the buttons are pressed.

- ✓ The computer chip in the unit is not functioning normally.
    - ☞ Press the reset button on the unit (page 4).
- 

#### ? There's a source you can't switch.

- ✓ There's no tape inserted.
    - ☞ Set the media you want to listen to. If there's no media in this unit, you can't switch to each source.
- 

#### ? There's a source you can't switch.

- ✓ The Disc changer isn't connected.
    - ☞ Connect the Disc changer. If the Disc changer isn't connected to it's input terminal, You can't switch to an external disc source.
- 

#### ? The faceplate does not open or close.

- ✓ The faceplate is incorrectly attached.
    - ☞ Reattach the faceplate correctly, See the section on <Removing the Faceplate>(page 8).
- 

#### ? The memory is erased when the ignition is turned OFF.

- ✓ The battery wire has not been connected to the proper terminal.
    - ☞ Connect the wire correctly, referring to the section on <Connecting Wires to Terminals>.
- 

- ✓ The ignition and battery wire are incorrectly connected.
    - ☞ Connect the wire correctly, referring to the section on <Connecting Wires to Terminals>.
- 

#### ? The TEL mute function does not work.

- ✓ The TEL mute wire is not connected properly.
    - ☞ Connect the wire correctly, referring to the section on <Connecting Wires to Terminals>.
- 

#### ? The TEL mute function turns ON even though the TEL mute wire is not connected.

- ✓ The TEL mute wire is touching a metal part of the car.
    - ☞ Pull the TEL mute wire away from the metal part of the car.
- 

#### ? Even if Loudness is turned ON, high-pitched tone isn't compensated for.

- ✓ Tuner source is selected.
    - ☞ High-pitched tone isn't compensated for when in Tuner source.
- 

#### ? No sound can be heard, or the volume is low.

- ✓ The fader or balance settings are set all the way to one side.
    - ☞ Center the fader and balance settings.
  - ✓ The input/output wires or wiring harness are connected incorrectly.
    - ☞ Reconnect the input/output wires or the wiring harness correctly. See the section on "Connecting Wires to Terminals".
  - ✓ The cassette tape is bad.
    - ☞ Try playing another cassette tape. If works fine, the first tape was bad.
- 

#### ? The sound quality is poor or distorted.

- ✓ One of the speaker wires is being pinched by a screw in the car.
    - ☞ Check the speaker wiring.
  - ✓ The tape head is dirty.
    - ☞ Clean the tape head.
  - ✓ The speakers are not wired correctly.
    - ☞ Reconnect the speaker wires so that each output terminal is connected to a different speaker.
- 

#### ? The Touch Sensor Tone doesn't sound.

- ✓ The preout jack is being used.
    - ☞ The Touch Sensor Tone can't be output from the preout jack.
-

## Troubleshooting Guide

### ? Even though Synchronize Clock is ON, the clock can't be adjusted.

- ✓ The received RDS station isn't sending time data.
  - ☞ Receive another RDS station.

### Tuner source

#### ? Radio reception is poor.

- ✓ The car antenna is not extended.
  - ☞ Pull the antenna out all the way.
- ✓ The antenna control wire is not connected.
  - ☞ Connect the wire correctly, referring to the section on <Connecting Wires to Terminals>.

#### ? It isn't the set Traffic information sound volume.

- ✓ The set sound volume is less than the tuner sound volume.
  - ☞ If the tuner sound volume is louder than the set sound volume, the tuner sound volume is used.

### Disc source

#### ? "AUX" is displayed without achieving External disc control mode.

- ✓ O-N switch is set to "O" side.
  - ☞ Set the switch to "N" side.
- ✓ Unsupported disc changer is connected.
  - ☞ Connect the supported disc changer. (page 3)

#### ? The specified disc does not play, but another one plays instead.

- ✓ The specified CD is quite dirty.
  - ☞ Clean the CD.
- ✓ The CD is upside-down.
  - ☞ Load the CD with the labeled side up.
- ✓ The disc is loaded in a different slot from that specified.
  - ☞ Eject the disc magazine and check the number for the specified disc.
- ✓ The disc is severely scratched.
  - ☞ Try another disc instead.

#### ? The specified track will not play.

- ✓ Random play or magazine random play has been selected.
  - ☞ Turn off random play or magazine random play.

#### ? Track repeat, disc repeat, track scan, random play, and magazine random play start by themselves.

- ✓ The setting is not canceled.
  - ☞ The settings for these functions remain on until the setting to off or the disc ejected, even if the power is turned off or the source changed.

#### ? Cannot play CD-R or CD-RW.

- ✓ Finalization processing is not being conducted for CD-R/CD-RW.
  - ☞ Conduct finalization processing with CD recorder.
- ✓ A non-compatible CD changer is being used to play the CD-R/CD-RW.
  - ☞ Use a CD changer compatible with CD-R/CD-RW to play.

#### ? Track Search can't be done.

- ✓ For the albums first or last song.
  - ☞ For each album, Track Search can't be done in the backward direction for the first song or in the forward direction for the last song.

### If the following situations, consult your nearest service center:

- Even though the disc changer is connected, the Disc Changer source is not ON, with "AUX" showing in the display during the Changer Mode.
- Even though no device (KCA-S210A, CA-C1AX, KDC-CPS87, KDC-CX87, KDC-CPS85, KDC-CX85, KDC-CPS82 or KDC-CX82) is connected, the Auxiliary input is entered when switching modes.

## ***Troubleshooting Guide***

---

### **The messages shown below display your systems condition.**

EJECT: No disc magazine has been loaded in the changer.  
The disc magazine is not completely loaded.  
⇨ Load the disc magazine properly.

NO DISC: No disc has been loaded in the disc magazine.  
⇨ Load a disc into the disc magazine.

E-04: No disc has been loaded in the disc magazine.  
⇨ Load a disc into the disc magazine.  
The CD is quite dirty. The CD is upside-down. The CD is scratched a lot.  
⇨ Clean the CD and load it correctly.

BLANK: Nothing has been recorded on the MD.

NO TRACK: No tracks are recorded on the MD, although it has a title.

NO PANEL: The faceplate of the slave unit being connected to this unit has been removed.  
⇨ Replace it.

E-77: The unit is malfunctioning for some reason.  
⇨ Press the reset button on the unit. If the "E- 77" code does not disappear, consult your nearest service center.

E-99: The unit is malfunctioning for some reason.  
⇨ Press the reset button on the unit. If the "E-99" code does not disappear, consult your nearest service center.

HOLD: The protective circuit in the unit activates when the temperature inside the automatic disc changer exceeds 60°C (140°F), stopping all operation.  
⇨ Cool down the unit by opening the windows or turning on the air conditioner. As the temperature falls below 60°C (140°F), the disc will start playing again.

NO NAME: Attempted to display DNPS during the CD play having no disc names preset.

NO TITLE: Attempted to display the disc title or track title while the MD having no MD title is being played.

NO TEXT: Attempted to display the disc text or track text while the CD having no CD text is being played.

LOAD: Discs are being exchanged in the Disc changer.

◀ ▶ (Blink): The tape player section is not operating properly.  
⇨ Reinsert the Tape. If the tape cannot be ejected or the display continues to flash even when the tape has been properly reinserted, please switch off the power and consult your nearest service center.

## Specifications

Specifications subject to change without notice.

### FM tuner section

Frequency range (50 kHz Space).....	87.5 MHz – 108.0 MHz
Usable sensitivity (S/N = 26dB) .....	0.7 $\mu$ V/75 $\Omega$
Quieting Sensitivity (S/N = 46dB) .....	1.6 $\mu$ V/75 $\Omega$
Frequency response ( $\pm$ 3.0 dB) .....	30 Hz – 15 kHz
Signal to Noise ratio (MONO).....	65 dB
Selectivity (DIN) ( $\pm$ 400 kHz).....	$\geq$ 80 dB
Stereo separation (1 kHz) .....	35 dB

### MW tuner section

Frequency range (9 kHz Space).....	531 kHz – 1611 kHz
Usable sensitivity (S/N = 20dB) .....	25 $\mu$ V

### LW tuner section

Frequency range .....	153 kHz – 281 kHz
Usable sensitivity (S/N = 20dB) .....	45 $\mu$ V

### Cassette player section

Tape Speed.....	4.76 cm/sec.
Wow & Flutter (WRMS) .....	0.12 %
Frequency response ( $\pm$ 3.0 dB) (120 $\mu$ s).....	30 Hz – 14 kHz
Separation (1 kHz) .....	40 dB
Signal to Noise ratio .....	52dB

### Audio section

Maximum output power.....	45 W x 4
Output power (DIN 45324, +B=14.4V).....	28 W x 4
Tone action	
Bass : .....	100 Hz $\pm$ 10 dB
Treble : .....	10 kHz $\pm$ 10 dB
Preout level / Load .....	1800 mV / 10 k $\Omega$
Preout impedance .....	$\leq$ 600 $\Omega$

### General

Operating voltage (11 – 16V allowable) .....	14.4 V
Current consumption.....	10 A
Installation Size (W x H x D) .....	182 x 53 x 158 mm
Weight .....	1.3 kg