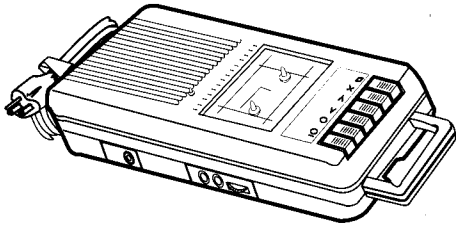
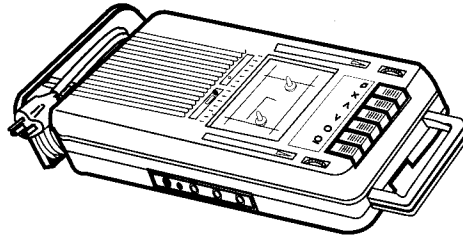




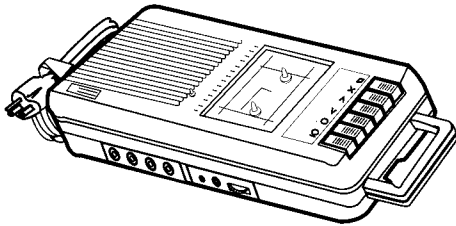
Products for Excellence in Education™



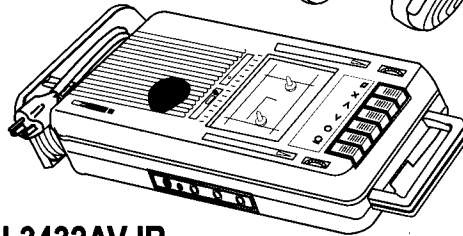
Model 1300AV



Model 3432AV



Model 3132AV






**Model 3432AV-IR
with 34IR Headphone**

Owner's Manual

Models 1300AV, 3112AV, 3132AV, 3412AV, 3432AV, 3432AV-IR

	CAUTION RISK OF ELECTRIC SHOCK DO NOT OPEN	
CAUTION: TO REDUCE THE RISK OF ELECTRIC SHOCK, DO NOT REMOVE COVER (OR BACK). NO USER SERVICEABLE PARTS INSIDE. REFER SERVICING TO QUALIFIED SERVICE PERSONNEL.		
WARNING: TO REDUCE THE RISK OF FIRE OR ELECTRIC SHOCK, DO NOT EXPOSE THIS APPLIANCE TO RAIN OR MOISTURE.		

	The lightning flash with arrowhead within a triangle is intended to tell the user that parts inside the product are a risk of electric shock to persons.
	The exclamation point within a triangle is intended to tell the user that important operating and servicing instructions are in the papers with the appliance.
	This product is not designed to function normally in strong electromagnetic fields. Consequently, the audio quality may degrade while the product is exposed to strong electromagnetic fields. Normal audio quality operation will be recovered when the strong electromagnetic field is no longer present.

IMPORTANT SAFETY INSTRUCTION

ATTENTION: ALL THE SAFETY AND OPERATING INSTRUCTIONS SHOULD BE READ BEFORE THE PRODUCT IS OPERATED. ALL OPERATING AND USE INSTRUCTIONS SHOULD BE FOLLOWED. ALL WARNINGS ON THE PRODUCT AND IN THE OPERATING INSTRUCTIONS SHOULD BE ADHERED TO. THE SAFETY AND OPERATING INSTRUCTIONS SHOULD BE RETAINED FOR FUTURE REFERENCE.

ATTACHMENTS – DO NOT USE ATTACHMENTS NOT RECOMMENDED BY THE PRODUCT MANUFACTURER AS THEY MAY CAUSE HAZARDS.

WATER AND MOISTURE – DO NOT USE THIS PRODUCT NEAR WATER – FOR EXAMPLE, NEAR A BATH TUB, WASH BOWL, KITCHEN SINK, OR LAUNDRY TUB; IN A WET BASEMENT; OR NEAR A SWIMMING POOL; AND THE LIKE.

VENTILATION – SLOTS AND OPENINGS IN THE CABINET ARE PROVIDED FOR VENTILATION AND TO ENSURE RELIABLE OPERATION OF THE PRODUCT AND TO PROTECT FROM OVERHEATING, AND THESE OPENINGS MUST NOT BE BLOCKED OR COVERED. THE OPENINGS SHOULD NEVER BE BLOCKED BY PLACING THE PRODUCT ON A BED, SOFA, RUG, OR OTHER SIMILAR SURFACE. THIS PRODUCT SHOULD NOT BE PLACED IN A BUILT-IN INSTALLATION SUCH AS A BOOKCASE OR RACK UNLESS PROPER VENTILATION IS PROVIDED OR THE MANUFACTURER'S INSTRUCTIONS HAVE BEEN ADHERED TO.

HEAT – THE PRODUCT SHOULD BE SITUATED AWAY FROM HEAT SOURCES SUCH AS RADIATORS, HEAT REGISTERS, STOVES, OR OTHER PRODUCTS (INCLUDING AMPLIFIERS) THAT PRODUCE HEAT.

POWER SOURCES – THIS PRODUCT SHOULD BE OPERATED ONLY FROM THE TYPE OF POWER SOURCE INDICATED ON THE MARKING LABEL. IF YOU ARE NOT SURE OF THE TYPE OF POWER SUPPLY TO YOUR HOME, CONSULT YOUR PRODUCT DEALER OR LOCAL POWER COMPANY. FOR PRODUCTS INTENDED TO OPERATE FROM BATTERY POWER, OR OTHER SOURCES, REFER TO THE OPERATING INSTRUCTIONS.

POWER-CORD PROTECTION – POWER-SUPPLY CORDS SHOULD BE ROUTED SO THAT THEY ARE NOT LIKELY TO BE WALKED ON OR PINCHED BY ITEMS PLACED UPON OR AGAINST THEM, PAYING PARTICULAR ATTENTION TO CORDS AT PLUGS, CONVENIENCE RECEPTACLES, AND THE POINT WHERE THEY EXIT FROM THE PRODUCT.

OVERLOADING – DO NOT OVERLOAD WALL OUTLETS, EXTENSION CORDS, OR INTEGRAL CONVENIENCE RECEPTACLES AS THIS CAN RESULT IN A RISK OF FIRE OR ELECTRIC SHOCK. GROUNDING OR POLARIZATION – THIS PRODUCT MAY BE EQUIPPED WITH A POLARIZED ALTERNATING-CURRENT LINE PLUG (A PLUG HAVING ONE BLADE WIDER THAN THE OTHER). THIS PLUG WILL FIT INTO THE POWER OUTLET ONLY ONE WAY. THIS IS A SAFETY FEATURE. IF YOU ARE UNABLE TO INSERT THE PLUG FULLY INTO THE OUTLET, TRY REVERSING THE PLUG. IF THE PLUG SHOULD STILL FAIL TO FIT, CONTACT YOUR ELECTRICIAN TO REPLACE YOUR OBSOLETE OUTLET. DO NOT DEFEAT THE SAFETY PURPOSE OF THE POLARIZED PLUG.

LIGHTNING – FOR ADDED PROTECTION FOR THIS PRODUCT DURING A LIGHTNING STORM, OR WHEN IT IS LEFT UNATTENDED AND UNUSED FOR LONG PERIODS OF TIME, UNPLUG IT FROM THE WALL OUTLET. THIS WILL PREVENT DAMAGE TO THE PRODUCT DUE TO LIGHTNING AND POWER-LINE SURGES.

GROUNDING OR POLARIZATION – THIS PRODUCT MAY BE EQUIPPED WITH A POLARIZED ALTERNATING-CURRENT LINE PLUG (A PLUG HAVING ONE BLADE WIDER THAN THE OTHER). THIS PLUG WILL FIT INTO THE POWER OUTLET ONLY ONE WAY. THIS IS A SAFETY FEATURE. IF YOU ARE UNABLE TO INSERT THE PLUG FULLY INTO THE OUTLET, TRY REVERSING THE PLUG. IF THE PLUG SHOULD STILL FAIL TO FIT, CONTACT YOUR ELECTRICIAN TO REPLACE YOUR OBSOLETE OUTLET. DO NOT DEFEAT THE SAFETY PURPOSE OF THE POLARIZED PLUG.

OBJECT AND LIQUID ENTRY – NEVER PUSH OBJECTS OF ANY KIND INTO THIS PRODUCT THROUGH OPENINGS AS THEY MAY TOUCH DANGEROUS VOLTAGE POINTS OR SHORT-OUT PARTS THAT COULD RESULT IN A FIRE OR ELECTRIC SHOCK. NEVER SPILL LIQUID OF ANY KIND ON THE PRODUCT.


SERVICING – DO NOT ATTEMPT TO SERVICE THIS PRODUCT YOURSELF AS OPENING OR REMOVING COVERS MAY EXPOSE YOU TO DANGEROUS VOLTAGE OR OTHER HAZARDS. REFER ALL SERVICING TO QUALIFIED SERVICE PERSONNEL.

DAMAGE REQUIRING SERVICE – UNPLUG THIS PRODUCT FROM THE WALL OUTLET AND REFER SERVICING TO QUALIFIED SERVICE PERSONNEL UNDER THE FOLLOWING CONDITIONS:

- (A) WHEN THE POWER-SUPPLY CORD OR PLUG IS DAMAGED.
 - (B) IF LIQUID HAS BEEN SPILLED, OR OBJECTS HAVE FALLEN INTO THE PRODUCT.
 - (C) IF THE PRODUCT HAS BEEN EXPOSED TO RAIN OR WATER.
 - (D) IF THE PRODUCT DOES NOT OPERATE NORMALLY BY FOLLOWING THE OPERATING INSTRUCTIONS. ADJUST ONLY THOSE CONTROLS THAT ARE COVERED BY THE OPERATING INSTRUCTIONS AS AN IMPROPER ADJUSTMENT OF OTHER CONTROLS MAY RESULT IN DAMAGE AND WILL OFTEN REQUIRE EXTENSIVE WORK BY A QUALIFIED TECHNICIAN TO RESTORE THE PRODUCT TO ITS NORMAL OPERATION.
 - (E) IF THE PRODUCT HAS BEEN DROPPED OR DAMAGED IN ANY WAY.
 - (F) WHEN THE PRODUCT EXHIBITS A DISTINCT CHANGE IN PERFORMANCE – THIS INDICATED A NEED FOR SERVICE.
- REPLACEMENT PARTS – WHEN REPLACEMENT PARTS ARE REQUIRED, BE SURE THE SERVICE TECHNICIAN HAS USED REPLACEMENT PARTS SPECIFIED BY MANUFACTURER OR HAVE THE SAME CHARACTERISTICS AS THE ORIGINAL PART. UNAUTHORIZED SUBSTITUTIONS MAY RESULT IN FIRE, ELECTRIC SHOCK, OR OTHER HAZARDS.**

SAFETY CHECK – UPON COMPLETION OF ANY SERVICE OR REPAIRS TO THIS PRODUCT, ASK THE SERVICE TECHNICIAN TO PERFORM SAFETY CHECKS TO DETERMINE THAT THE PRODUCT IS IN PROPER OPERATING CONDITION.

"CAUTION: TO PREVENT ELECTRIC SHOCK, MATCH WIDE BLADE OF PLUG TO WIDE SLOT, FULLY INSERT."

	Ce produit n'est pas conçu pour un fonctionnement dans de forts champs électromagnétiques. Par conséquent, la qualité sonore peut diminuer si ce produit est exposé à un fort champ électromagnétique. La qualité sonore redeviendra normale après affaiblissement du champ électromagnétique.
---	--

Inspecting & Unpacking

Although, the shipping carton and packaging materials are designed to prevent damage during shipment, you should inspect the carton for any signs of mishandling or damage immediately upon receiving your new unit. Carefully lift the unit from the carton and inspect it for any signs of damage. Save all packaging materials for possible later use. **Note: Any shipping damage or loss claims must be submitted to the freight agent.**

Your carton and packaging should contain the following:

- (1) Cassette Recorder or Player
- (1) Owner's Manual
- (1) Califone Warranty Registration Mail-in Card

INITIAL SET-UP

AC Line Operation

- The power cord is located at the rear of the unit. Release the cord retainer tab and uncoil the cord.
- Plug the cord into a standard 120 volt 60 Hz AC outlet. Be sure the plug blades are fully inserted. **THE UNIT IS ON WHEN PLUGGED IN.**
- When the unit operates on AC power, any batteries that may be in the unit are automatically made inoperative.
- CE Version:** Plug the cord plug into a standard 230 volt 50 Hz AC outlet.

Battery Operation

- The battery compartment is located at the rear of the unit. Push the lever at the center of the door toward the rear of the unit, then lift the door free.
- Four "C" cell (UM-2) required for models 1300AV, 3112AV and 3132AV; Six are required for the 3412AV, 3432AV and 3432AV-IR. When installing refer to the orientation diagram shown inside the battery compartment. Place the batteries on top of the nylon ribbon. This helps to "pop" old batteries out when you need to replace them.
- Replace the battery cover.

IMPORTANT: Remove all batteries from your cassette unit if it will not be used for an extended period of time. **DO NOT LEAVE DISCHARGED BATTERIES IN THE BATTERY COMPARTMENT. DAMAGE TO THE UNIT DUE TO BATTERY CORROSION IS NOT COVERED UNDER WARRANTY.**

NOTE: Califone cassette recorders are designed for use only with Type 1 Normal Bias recording tape.

Cassette Operation

The Cassette Player/Recorders covered in this manual all feature cassette tape playback functions as described below and model 1300AV, 3132AV, 3432AV and 3432AV-IR Recorders feature recording functions as described.

Loading a Tape

To load a cassette tape, press the STOP/EJECT key to open the cassette door. Insert tape with the playing side label facing up. Close the cassette door to lock the tape in position.

Tape Playback

To play a loaded cassette tape:

- Depress PLAY key until it locks in place.
- Adjust VOLUME Control.
- Adjust TONE Control if featured.

To Stop Playback

Press the STOP/EJECT key.

To Pause Playback

Press the PAUSE key all the way down to lock.

To resume play, press the PAUSE key again, and release.

To Fast Wind

Press the REWIND or FAST-FORWARD key.

Press the STOP/EJECT key to stop winding at the desired position.

Cue/Review

This feature winds the tape with the tape head lightly engaged reading the tape at high speed. The reproduction ceases at the beginning and end of recorded tracks to help locate specific points on a recorded tape.

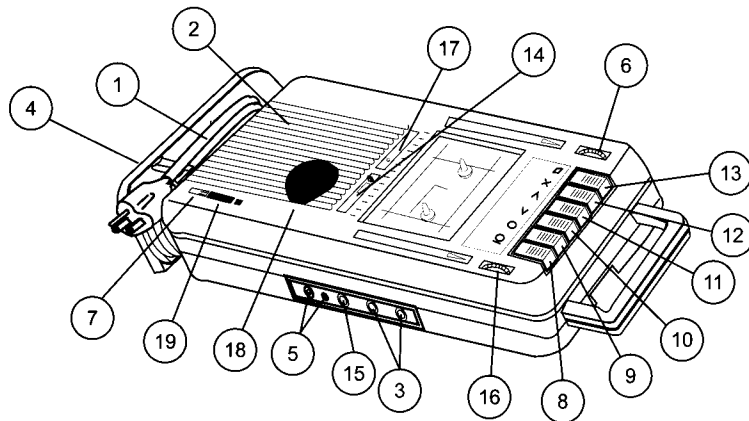
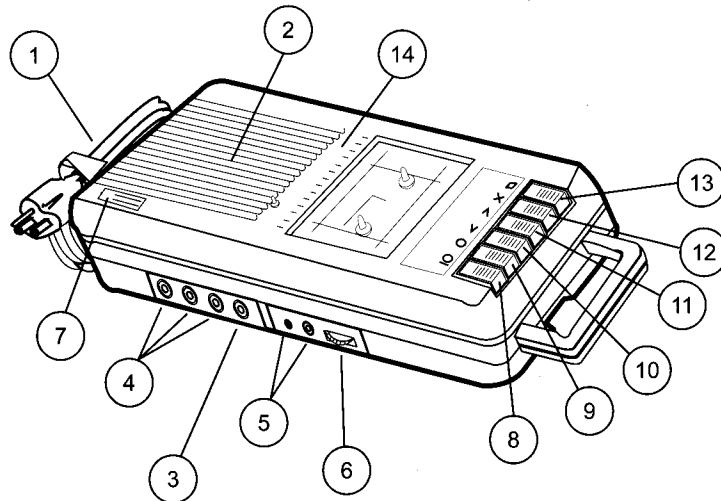
About the Cue/Review feature

- Cue/Review works only with the PLAY key depressed.
- Operating the CUE/REVIEW keys while in Record mode disables Record mode.
- CUE/REVIEW keys do not lock when used in Play mode.
- One can monitor the tape at an accelerated speed using Cue/Review through the speaker or headphone.
- When CUE/REVIEW keys are pressed in Stop Mode, the tape moves in Fast-Forward and Rewind modes.

When the Tape Reaches its End

During regular play or recording the tape will stop automatically when its end is reached.

3132AV



3432AV-IR

- | | |
|--|--|
| 1. POWER CORD | 10. REVIEW/REWIND KEY |
| 2. SPEAKER | 11. FAST FORWARD/CUE KEY |
| 3. HEADPHONE/SPEAKER JACK | 12. STOP/EJECT KEY |
| 4. HEADPHONE JACK(S) | 13. PAUSE KEY |
| 5. REMOTE STOP/START AND MIC JACK | 14. 2X TAPE COUNTER |
| 6. VOLUME CONTROL | 15. AUXILIARY INPUT (3432AV, 3432AV-IR) |
| 7. BUILT-IN MICROPHONE (1300AV, 3132AV, 3432AV, 3432AV-IR) | 16. HI-LO TONE CONTROL (3412AV, 3432AV, 3432AV-IR) |
| 8. RECORD KEY | 17. BATTERY RECORD LEVEL INDICATOR |
| 9. PLAY KEY | 18. IR SIGNAL LENS (3432AV-IR ONLY) |
| | 19. IR SIGNAL ON/OFF SWITCH (3432AV-IR ONLY) |

Remote Stop/Start and Microphone Jack

The Remote Stop/Start Microphone jack (1300AV, 3132AV, 3432AV, 3432AV-IR) can be used to start and stop cassette tape for class comments in either the Record or Playback modes. The internal microphone is automatically disconnected when an external microphone is plugged in. PLAY key or RECORD key must be depressed to use the Remote Stop/Start feature.

Using IR Headphone Reception

Turn on the IR-SIGNAL ON/OFF switch, the internal speaker output will be cut off. Use the IR headphone to listen for the cassette output.

Recording from built-in Microphone

The 1300AV, 3132AV, and 3432AV/3432AV-IR Recorders feature an ALC (Automatic Level Control) circuit, which automatically adjusts the volume level while recording to reduce distortion and overloading. To record:

1. Connect the source unit (CD player, etc.) (AUX OUT) to the (AUX IN)(15) on the side of the cassette recorder.
2. Insert a blank tape into the cassette deck.
3. Press the PAUSE key then the RECORD key to prepare for recording. As the RECORD key is pressed the PLAY key will follow.
4. Press PAUSE again to start recording.
5. Start the auxiliary audio source.

Stop Recording

Press the STOP/EJECT key to stop the cassette transport or press the PAUSE key to momentarily stop the recording for class comments or breaks. Press PAUSE key again to restart the recording.

Recording from an External Microphone

To record using an external microphone (1300AV, 3132AV, 3432AV/3432AV-IR):

1. Connect the microphone using the microphone jack.
2. Turn the microphone ON if it has an ON/OFF switch.
3. Press the PAUSE key then the RECORD key to prepare for recording. As the RECORD key is pressed the PLAY key will follow.
4. Press PAUSE again to start recording.
5. Speak or sing in a normal voice tone.

Note: Every new cassette tape has erase prevention tabs. Commercially pre-recorded tapes have the tabs removed to prevent recording over the original material or accidental erasure. Cover the openings with adhesive tape if you wish to record over such cassette tape.

Cueing with the 2X Tape Counter

Rewind the tape to the beginning. Press the RESET button to reset counter to (000). Use the Tape Counter Display to note song/track starting locations during playback and to cue the tape to precise points using the FAST-FORWARD/CUE or REWIND/REVIEW keys.

Maintenance and Service Cleaning

The heads, capstan and pinch roller should be cleaned from time to time to prevent build-up of tape oxide which degrades performance.

1. Remove cassette tape before cleaning.
2. Clean the head of all visible, reddish-brown oxide with a cotton-tipped swab moistened with a methyl-alcohol or any solution specifically manufactured for this purpose. **Caution:** Do NOT scrape the head surface with hard, sharp or abrasive objects. This will permanently damage the heads.
3. Clean the pinch roller by scrubbing the surface of the roller with the moistened swab. Rotate the roller by hand until the entire surface is clean.
4. Clean external case surfaces with a moist, soft cloth. Use only a mild detergent water solution.

Head Demagnetization

It is recommended that the tape heads be demagnetized from time to time. This eliminates residual magnetism which degrades sound reproduction and the recording function.

1. After cleaning the heads and capstan, place the demagnetizer several feet away from the cassette unit and plug it into an AC outlet.
2. Follow the manufacturer's operating instructions supplied with the demagnetizer.

Service and Repair Instructions

In the event that service should become necessary for any reason, contact the dealer from whom you purchased this unit. The service or repairs can be done promptly and efficiently by your Califone dealer. If you wish assistance from the factory, write us:

**Attention: Customer Service
Califone International Inc.
21300 Superior Street
Chatsworth, CA 91311**

Or, call, toll free: **(800) 722-0500**

Be sure to have the model and serial number available. Please **DO NOT SHIP ANY UNIT TO THE FACTORY WITHOUT PRIOR AUTHORIZATION AND INSTRUCTIONS.**

Troubleshooting

PROBLEMS

General

The unit does not operate.

Cassette

Cassette cannot be loaded.

The tape does not move.

The tape gets caught in the tape transport mechanism.

Tape speed is slow.

Tape running is unstable.

No sound output at speaker.

There is excessive noise, the sound quivers or there are breaks in the sound.

IR headphone no reception.

Recording

The RECORD key cannot be pressed.

Recording cannot be done.

The previous recording cannot be erased.

No sound output.

ITEMS TO CHECK

Is the AC power cord unplugged or loose?

Is cassette being loaded properly?
Is the PLAY key depressed?

Is the PAUSE key depressed?

Is the pinch roller or capstan dirty?
Is there excessive slack in the tape?

Is the tape too old or the quality bad?

Is there excessive slack in the tape?

Is the master volume turned up?
Is the IR Signal ON/OFF switch turned on?

Are the heads dirty?

Is the IR Signal switch turned on?
Is the battery old in the IR headphone?

Is a cassette loaded? Is the cassette's erasure prevention tab broken off?

Are the heads dirty?

Is the erasure head dirty?
Is the tape other than type 1?

Is the master volume turned up?

Specifications

Model Type	1300AV Recorder	3112AV Player	3132AV Recorder	3412AV Player	3432AV/3432AV-IR Recorder
Power Output	500mW into 4 Ohms	One Watt into 4 Ohms		3W into 4 Ohms	
Freq. Response	100-10kHz	100-10kHz		63-10kHz	
Wow and Flutter	<0.35%	<0.35%		<0.35%	
S/N ratio	40dB Unweighted	40dB Unweighted		40dB Unweighted	
Speaker	3" Round	3" Round		3 1/2" Round	
IR Signal Reception Distance	N/A	N/A		N/A	20 ft
FF/Rew Time	150 Seconds (C-60)	150 Seconds (C-60)		120 seconds (C-60)	
Microphone	Built-in	Built-in (3132AV)		Built-in (3432AV)	
Record Level Control	ALC	ALC (3132AV)		ALC (3432AV)	
Mechanism	Auto Stop	Auto Stop		Full Auto Stop (all modes)	
Controls	Record, Play, Fast Forward, Rewind, Eject, Pause, Volume	Record (3132AV), Play, Cue, Review, Eject, Pause, Volume		Record (3432AV), Play, Cue, Review, Eject, Pause, Volume, Hi-Lo Tone, IR Signal	ON/OFF switch (3432AV-IR only)
Tape Counter	2X 3 Digit	2X 3 Digit		2X 3 Digit	
Output Jacks	1HP/Speaker	3HP, 1HP/Speaker, 1/4" Phones		6 HP, 1 HP/Spkr., 1/4" Phone	
Input Jacks	3.5 mm mic, 2.5 mm remote	3.5 mm mic, 2.5 mm remote (3132AV)		3.5 mm mic, 2.5 mm remote (3432AV)	
Power requirements	120VAC 50-60 Hz or 4 "C" cells 230V 50 Hz (CE version)	120VAC 50-60 Hz or 4 "C" cells 230V 50 Hz (CE version)		120VAC 50-60 Hz or 6 "C" cells 230V 50 Hz (CE Version)	
Dimensions	10 1/2" Lx5 3/4" Wx2" H	10 1/2" Lx5 3/4" Wx2" H		13" Lx6 1/4" Wx2 3/4" H	
Weight	3 lbs. without batteries	3 lbs. without batteries		5 lbs. without batteries	



CALIFONE INTERNATIONAL, INC.
Chatsworth, CA 91311
www.califone.com
