

Frigidaire

Factory Parts Catalog

Product No.	FEB24S2ABF	FEB24S2ASF
	38254412B1066	38254412B1016
Series	24" wall oven	24" wall oven
Color	black	white
Market	North America	North America
Wiring Diagram	318046222	318046222
Owner's Guide	318205114	318205114
Installation Instructions	318201509	318201509
Service Data Sheet	318047420	318047420
Timer Guide	318200144	318200144

 **Electrolux**

Electrolux Major Appliances
 North & Latin America
 P.O. BOX 212378
 AUGUSTA, GA 30917

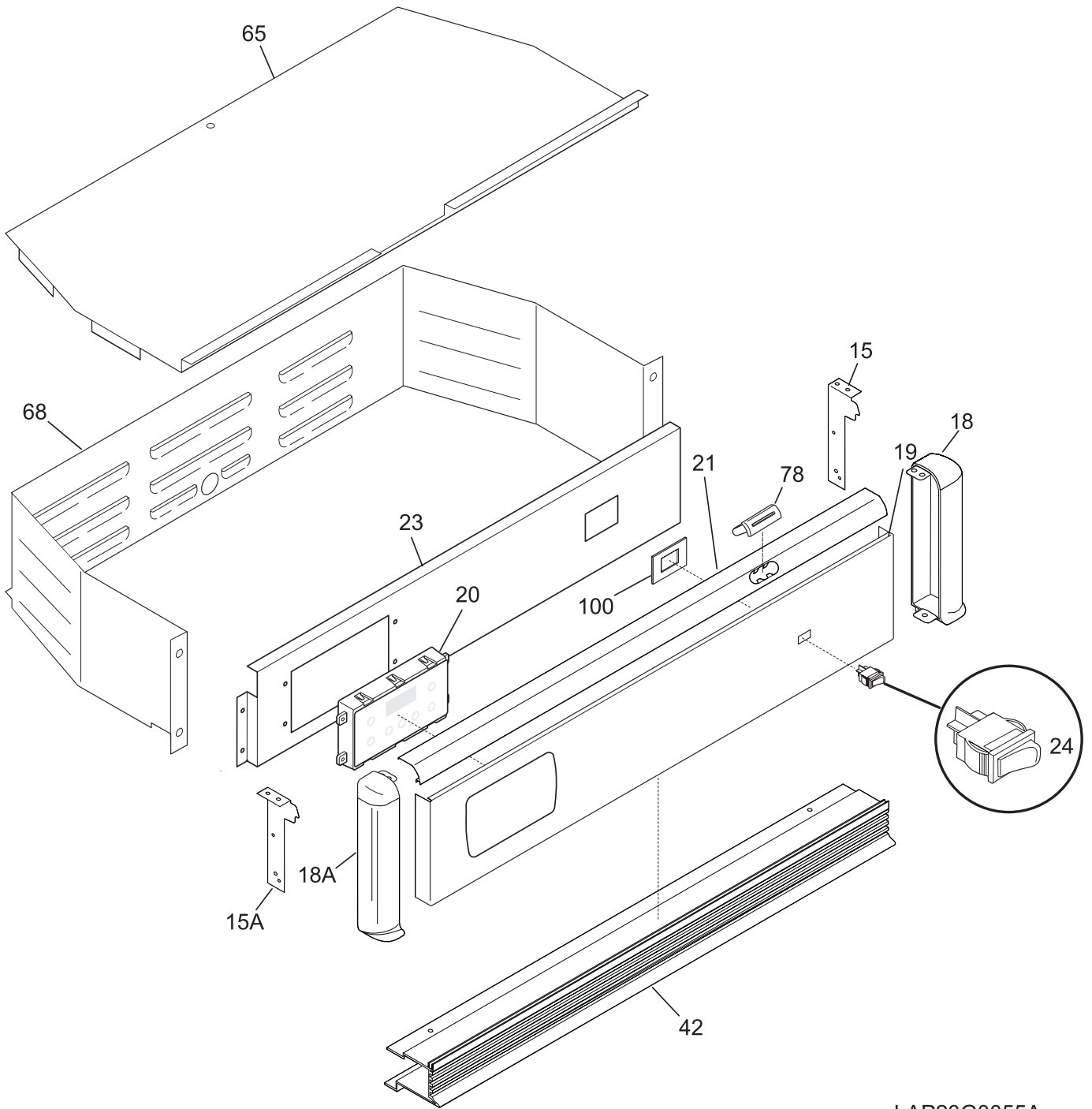
Publication No.
5995556767
 09/12/08
 (EN/SERVICE/BJH)
 377

**SINGLE ELECTRIC
 WALL OVEN**

Model No.
FEB24S2A

Copyright © 2009 Electrolux Home Products, Inc.
 All rights reserved.

CONTROL PANEL



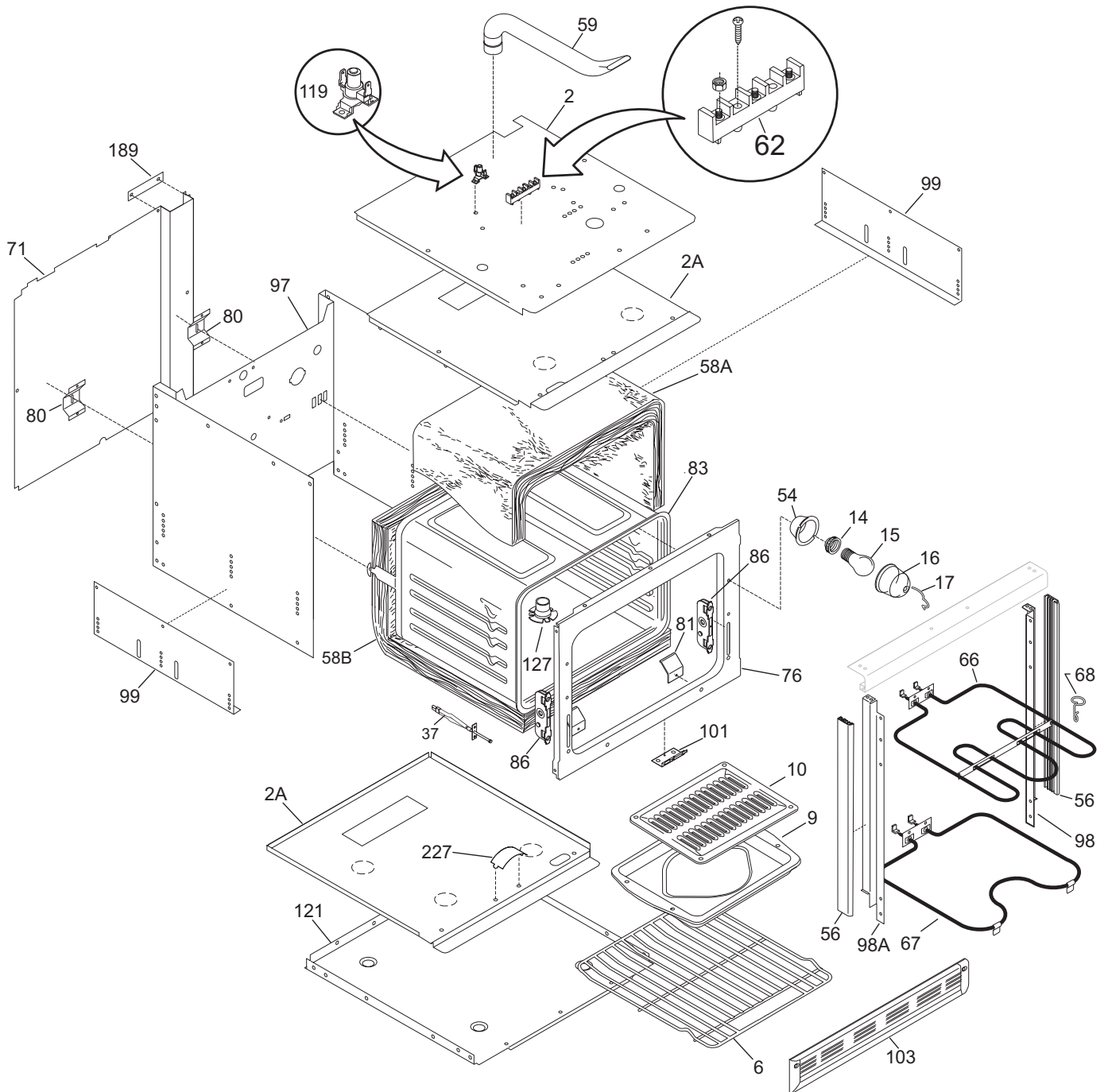
LAP23G0055A

CONTROL PANEL

Model Index: **A** FEB24S2A (FEB24S2ABF)
 B FEB24S2A (FEB24S2ASF)

POS. NO	PART NO.		DESCRIPTION
15	5303302286	A B	Support, backguard, RH
15A	5303302287	A B	Support, backguard, LH
18	5303311231	A -	End Cap, black, RH
18	5303311208	- B	End Cap, white, RH
18A	5303311232	A -	End Cap, black, LH
18A	5303311209	- B	End Cap, white, LH
19	318234101	A -	Panel, control, black
19	318234100	- B	Panel, control, white
20 #	318185330	A -	Clock/Timer, EOC, black, ES100
20 #	318185329	- B	Clock/Timer, EOC, white, ES100
20*	318214401	A -	Overlay, clock, black
20*	318214400	- B	Overlay, clock, white
21	5303300408	A -	Trim, top, black
21	5303320425	- B	Trim, top, white
23	318015036	A B	Bracket, clock/timer mtg
24 #	316005602	A -	Switch, rocker, black
24 #	316005607	- B	Switch, rocker, white
42	318027517	- B	Trim, vent, white
42	318027519	A -	Trim, vent, black
65	318038804	A B	Cover, control housing
68	5303302397	A B	Housing, control
78	318037121	A -	Cover, oven vent, black
78	318037122	- B	Cover, oven vent, white
100	318112200	A B	Plate, mounting, rocker switch
*	5303211311	A B	Screw, 8-18 x 0.500

BODY



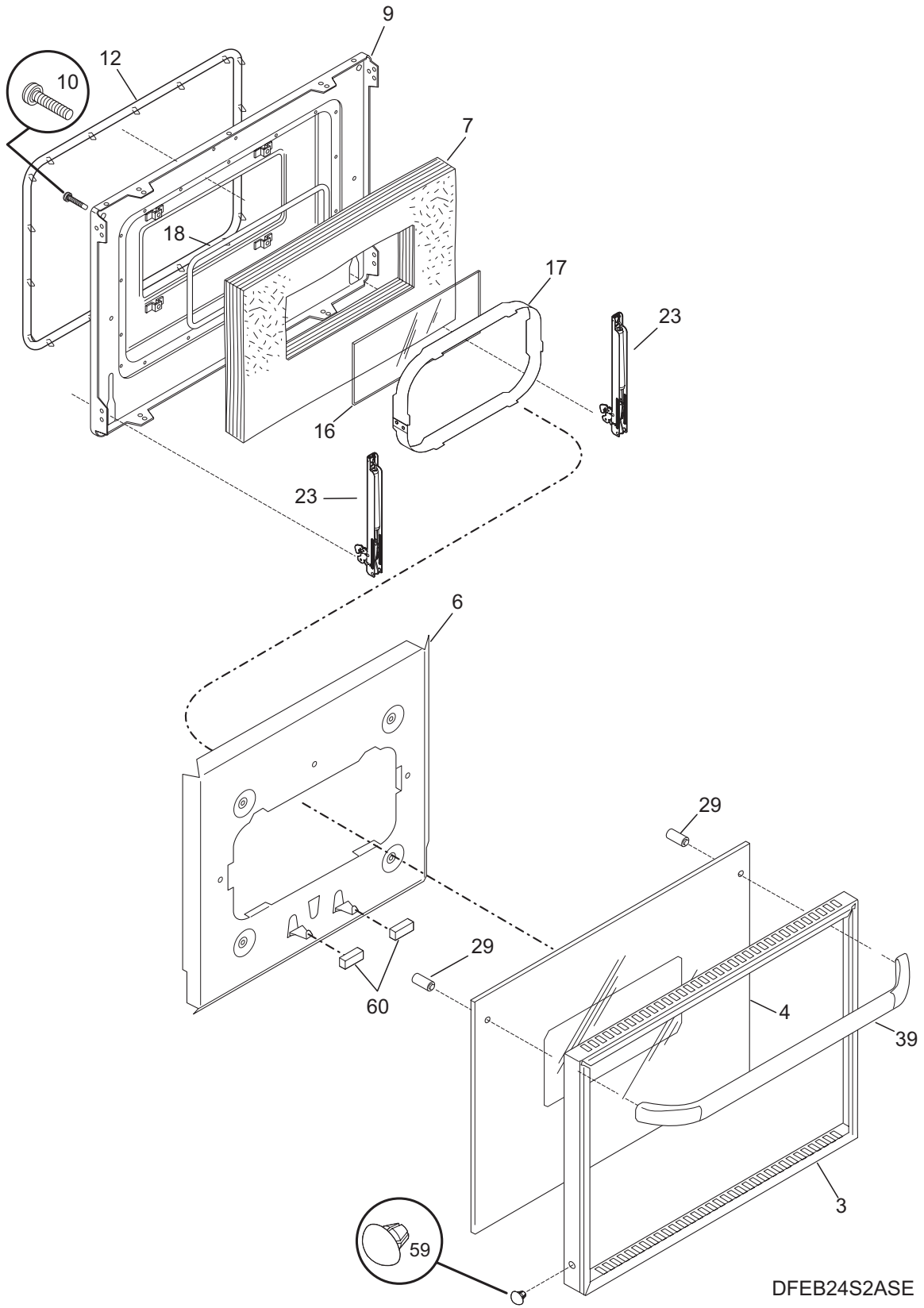
B40432801

BODY

Model Index: **A** FEB24S2A (FEB24S2ABF)
B FEB24S2A (FEB24S2ASF)

POS. NO	PART NO.		DESCRIPTION
2	318195900	A B	Wrapper, outer, top
2A	5303305035	A B	Shield, insulation
6	318345216	A B	Rack, oven, (2)
9	316081900	A B	Pan, broilerOPTIONAL ACCESSORY
10	316082000	A B	Insert, broiler panOPTIONAL ACCESSORY
14	318224000	A B	Receptacle, oven light
15	5303013071	A B	Bulb/Lamp, light
16	318406100	A B	Lens, oven light, glass
17	5304400195	A B	Retainer, light cover
37 #	316217002	A B	Probe, oven temp
54	318222400	A B	Housing, oven light
56	5303298951	A -	Trim, bodyside, black
56	5303302711	- B	Trim, bodyside, white
58A	318285004	A B	Insulation, oven wrapper
58B	318285003	A B	Insulation, oven back
59	318549800	A B	Tube, oven vent
62 #	316056000	A B	Terminal Block
62*	5303323144	A B	Nut, 10-32
66 #	318255601	A B	Element, broil, 3400W
67 #	318255101	A B	Element, bake, 2100W
68	5304403015	A B	Support, hanger, (4), broil element
71	318071111	A B	Shield, rear wall
76	318056141	A B	Front-oven
80	318192400	A B	Spring, oven
81	5303323710	A B	Bracket, oven
83	318089520	A B	Liner, oven
86	318561100	A B	Receptacle, hinge, (2)
86*	5304461333	A B	Screw, 10-32 x 17/32
97	318066602	A B	Wrapper, back & sides
98	318029384	A B	Trim, side, inner, RH
98A	318029385	A B	Trim, side, inner, LH
99	318284201	A B	Panel, adjustable, side, (2)
101	318039511	A -	Bracket, trim, black
101	318039512	- B	Bracket, trim, white
103	318028710	A -	Trim, base, black
103	318028711	- B	Trim, base, white
119#	318003605	A B	Thermostat, safety, backguard
121	318145005	A B	Wrapper, base
127	318317000	A B	Adapter, vent tube
189	318042500	A B	Plate, retainer
227	318370900	A B	Clip, retainer
* #	318078563	A B	Box & wires assy
* #	318199750	A B	Wiring Harness, main
*	3015722	A B	Clip, wire retainer
*	08002868	A B	Screw, 10-24 x 0.500, probe, thrm brkt, shield, drwr, box
*	5303211311	A B	Screw, 8-18 x 0.500
*	5303302745	A B	Screw, 10-16X1-1/4, square drive
*	5303324184	A B	Screw, 8-18 x 5/16, black, (4)
*	5303307406	A -	Screw, 6-32 x 3/8, black, (2)
*	5303935083	- B	Screw 10-16X1-1/4

DOOR

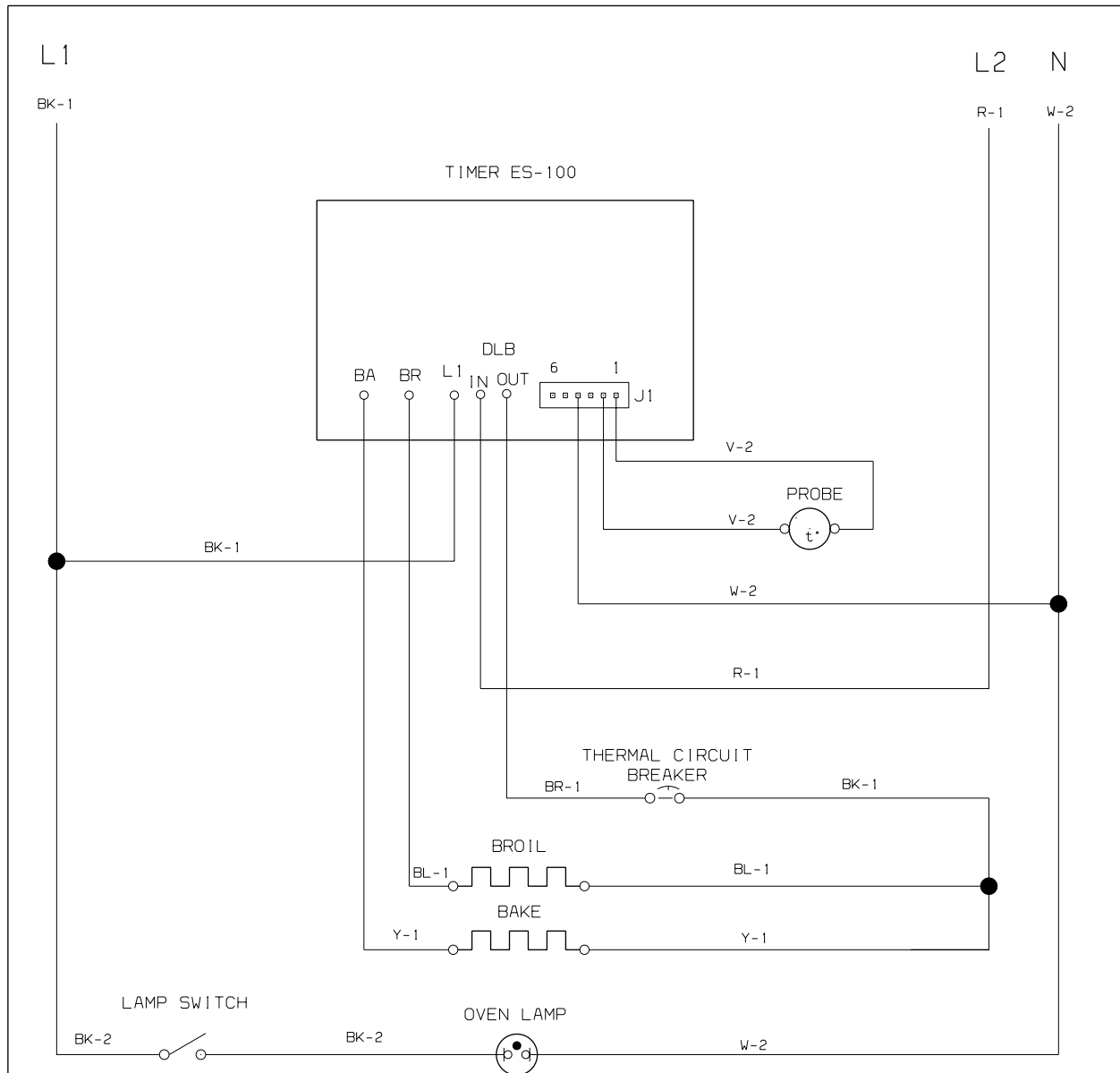


DOOR

Model Index: **A** FEB24S2A (FEB24S2ABF)
 B FEB24S2A (FEB24S2ASF)

POS. NO	PART NO.		DESCRIPTION
3	318026520	A -	Trim, oven door, black
3	318026102	- B	Trim, oven door, white
4	318051516	A -	Glass, oven door, black, outer
4	318051553	- B	Glass, oven door, white, outer
6	318073600	A B	Shield, air wash
7	318285037	A B	Insulation, oven door
9	318156615	A B	Liner, oven door
10	5303311217	A B	Screw, 10-24 x 2 3/16
12 #	5303316768	A B	Seal, oven door, lower oven
16	318381402	A B	Glass-oven door, heat barrier, lower oven
17	318162601	A B	Support, glass
18	318053204	A B	Seal, rope, lower oven
23	318567104	A B	Hinge, oven door
29	318014403	A B	Spacer, door
39	318362822	A -	Handle Assembly, door, black, w/spacer
39	318362820	- B	Handle Assembly, door, white, w/spacer
59	3202113	A B	Plug, button
60	5303316982	A B	Foam seal, (2)
*	08002868	A B	Screw, 10-24 x 0.500, probe, thrm brkt, shield, drwr, box
*	5303211311	A B	Screw, 8-18 x 0.500

WIRING DIAGRAM



NOTE:

OVEN CONDITION:
ALL CONTROL SET TO "OFF"
OVEN DOOR CLOSED.

IMPORTANT:

COPPER WIRE MUST BE USED FOR CONNECTIONS TO CONDUIT WIRE.

WIRE	GAGE	TEMP°C	UL STYLE	CSA STYLE
2	18	125	3173	CL-1251
1	16	125	3173	CL-1251

WARNING			
DISCONNECT POWER BEFORE SERVICING UNIT			
COLOR CODE			
BK	BLACK	P	PINK
BL	BLUE	PR	PURPLE
BR	BROWN	R	RED
C	COPPER	T	TAN
G	GREEN	V	VIOLET
GY	GRAY	W	WHITE
O	ORANGE	Y	YELLOW

318046222 Rev. A