

LIMITED WARRANTY* ONE (1) YEAR:

Your small kitchen appliance is warranted to the original purchaser to be free from any manufacturing defects under normal use and conditions for one (1) year, cord excluded. During that period, should the appliance fail to operate properly, return the appliance with your sales receipt to the store where purchased. If you use your appliance for household use and according to instructions, it should give you years of satisfactory service. This product warranty covers only the original consumer purchaser of the product.

WARRANTY IS ONLY VALID WITH A DATED PROOF OF PURCHASE.

To guarantee repair or replacement without charge, a dated sales receipt showing purchase within the limited warranty period* must accompany the appliance. Without a sales receipt, warranty will be estimated according to the appliance's manufactured date. A comparable appliance should arrive within 2-3 weeks. However, in case an appliance is not covered by warranty, correspondence offering alternatives will be mailed to you.

During the one-year warranty period, a product with a defect will be either repaired or replaced with a reconditioned comparable model (at our option) when the product is returned to our Service Center. (See the "Returns" section below). The repaired or replacement product will be in warranty for the remaining balance of the one-year warranty period and an additional one-month period.

This limited warranty covers appliances purchased and used within the 50 contiguous states plus the District of Columbia and does NOT cover:

- Damages caused by unreasonable use, neglect, normal wear and tear, commercial use, improper assembly or installation of product.
 - Damages caused in shipping.
 - Damages caused by replacement or resetting of house fuses or circuit breakers.
 - Defects other than manufacturing defects.
 - Breakage caused by misuse, abuse, accident, alteration, lack of proper care and maintenance, or incorrect current or voltage.
 - Lost or missing parts of the product. Parts will need to be purchased separately.
 - Damages of parts that are not electrical; for example: cracked or broken plastic or glass.
 - Damage from service or repair by unauthorized personnel.
 - Extended warranties purchased via a separate company or reseller.
 - Consumer's remorse is not an acceptable reason to return a product to our Service Center.
- *The consumer is responsible for any delivery charges for all replacement units provided for exchange under the warranty.

RETURNS: Any return of defective merchandise to the manufacturer must be processed accordingly by contacting customer service first to obtain an RA # (Return Authorization Number). We will not accept any returns of merchandise without an applicable RA #. We cannot assume responsibility for loss or damages to products returned to us during incoming shipment. For your protection, always carefully package the product for shipment and insure it with the carrier. Be sure to enclose the following items with your return: any accessories related to the problem, your full address and daytime phone number, a note describing the problem, a copy of the dated sales receipt or other proof of purchase and a valid RA#. C.O.D shipments cannot be accepted.

*One Year Limited Warranty valid only in the **50 contiguous states plus the District of Columbia, excluding** Puerto Rico and the Virgin Islands.

This warranty is effective only if the product is purchased and operated in the USA; product usage which is in violation of the written instructions provided with the unit will void this warranty.

For international warranty, please contact the local distributor.

**Any instruction or policy included in this manual may be subject to change at any time.

**Model EKA-9210B (Black Finish)
EKA-9210W (White Finish)**

Elite Cuisine[®] Toaster Oven/Broiler

MAXI-MATIC[®], USA

18401 E. Arenth Ave. City of Industry, CA 91748

Customer Service Dept: (626) 912-9877 Ext: 120 MON-FRI 9am-5pm PST

Email: info@maxi-matic.com

Website: www.maxi-matic.com

Elite
BY MAXI-MATIC[®]
Cuisine

4 Slice Toaster Oven Broiler



Model

**EKA-9210B (Black Finish)
EKA-9210W (White Finish)**

Instruction Manual

Important Safeguards

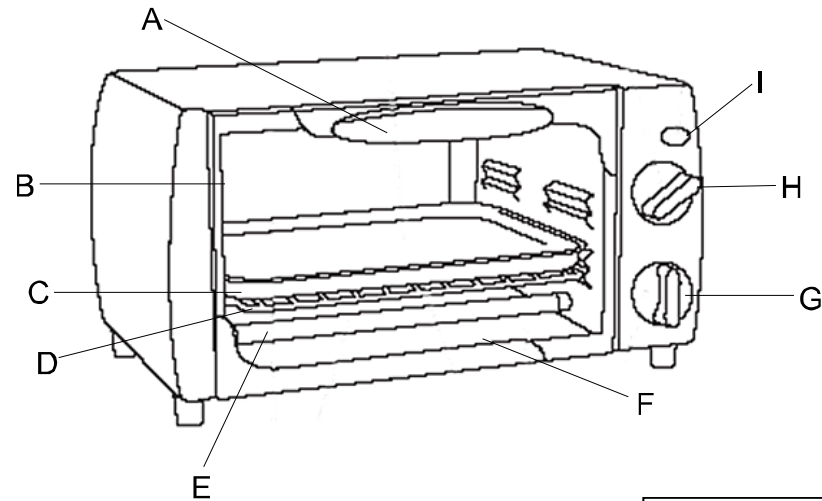
When using electrical appliance, basic safety precautions should always be followed, including following:

1. Read all instructions before operation.
2. Do not touch hot surfaces. Use handles or knobs.
3. Remove all packaging plastics and other materials from unit before operating.
4. Wash all removable accessories before using for the first time.
5. To protect against electrical shock, do not immerse cord, plug or appliance itself in water or other liquids.
6. Close supervision is necessary when appliance is used by or near children.
7. Unplug from outlet when not in use and before cleaning. Allow to cool before putting on or taking off parts.
8. Do not operate any appliance with a damaged cord or plug or after the appliance malfunctions or has been damaged in any manner. Return the appliance to the nearest authorized service facility for examination, repair or adjustment.
9. The use of accessory attachments not recommended by the appliance manufacturer may cause injuries.
10. Do not use outdoors.
11. Do not let cord hang over edge of table or counter or touch hot surfaces.
12. Do not place on or near a hot gas or electric burner, or in a heated oven.
13. Always attach plug to appliance first, then plug cord into wall outlet. To disconnect, turn any control to OFF position, then remove plug from wall outlet.
14. Oversized foods or metal utensils must not be inserted in the appliance as they may cause a fire or risk of electrical shock.
15. A fire may occur if the appliance is covered or touching flammable material including curtains, draperies, walls and the like when in operation.
16. Do not clean with metal scouring pads. Pieces can break off the pad and touch electrical parts, involving a risk of electrical shock.
17. Extreme caution should be exercised when using containers constructed of other material other than metal or glass.
18. Do not store any materials other than manufacturer's recommended accessories in this oven when not in use.
19. Do not cover crumb tray or any part of the oven with metal foil. This will cause overheating of the oven.
20. Do not place any of the following materials in the oven: paper, cardboard, plastic and the like.
21. This appliance has a polarized plug (one blade is wider than the other). To reduce the risk of electric shock, this plug is intended to fit into a polarized outlet only one way.
22. Extreme caution must be used when removing tray or disposing of hot grease.
23. Do not use appliance for other than intended use.

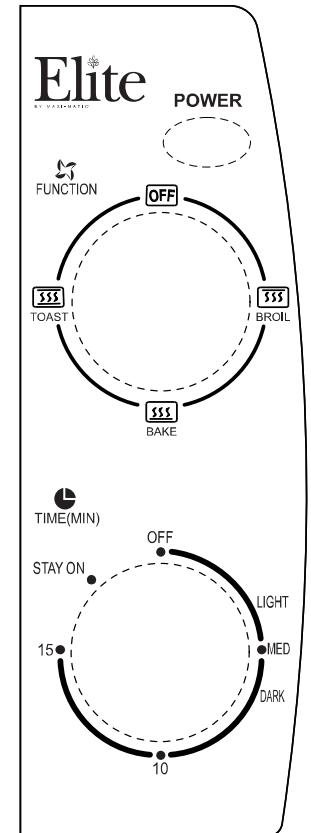
SAVE THESE INSTRUCTIONS

THIS PRODUCT IS FOR HOUSEHOLD USE ONLY!

Parts Indicator



- A) Door Handle
- B) Glass Door
- C) Toasting Pan
- D) Wire Rack
- E) Lower Heating Elements (Upper Elements not shown)
- F) Drop-Down Crumb Tray
- G) 15-Minute Timer
- H) Adjustable Function Control Knob
- I) Power Indicator Light



How to Use

BEFORE USING FOR THE FIRST TIME

1. Remove all accessories and shipping materials packed inside the Oven.
2. Wash the Rack and Pan in warm soapy water. Wipe the inside of the oven with a damp cloth or sponge. Dry the unit thoroughly before using.
3. Place oven on a flat counter or other flat stable surface.
4. Position the oven so that it is at least 2 inch (5cm) from any surrounding object. Ensure that nothing has been placed on top of the Oven.
5. Make sure the Crumb Tray is properly inserted before using.
6. **For the first time only:** Turn the function Knob to toast and the Timer Knob to 15 minutes. This will burn off any oils or manufacturing residue still inside the oven.

NOTE: The oven may smoke during this process. This is normal for a new Oven and will not last more than 10-15 minutes.

HOW TO USE

TOASTING

1. Rotate the Function knob clockwise to “Toast” position
2. Open the Oven Door and place the bread slice on the Baking Rack. Place slices of bread into baking rack, up to 4 slices side by side.
When setting to “Toast”, both the heating elements will turn on.

TIMER SETTING

3. Choose your Toast Darkness preference by adjusting the Timer Knob clockwise to select toasting time. To test the toasting of your type of bread, we suggest starting at short time, as bread varies according to humidity, thickness and texture, each type of bread will toast differently according to these properties.

NOTE - When setting the Timer Knob for less than 5 minutes, always rotate timer to over 5 minutes and then rotate back to your chosen time. This will ensure a safe and accurate timer setting.

4. When the toast cycle is finished the bell will ring and the electrical power is automatically turned off. To stop the cycle at any time, rotate the Timer Knob **counter clockwise** to “off” position and the bell will ring.

NOTE - The bread will burn if the toasting time is set for too long. Close supervision is always necessary during toasting.

BROILING

1. Slide in the Baking Tray under the rack. Always use the baking tray when broiling the food like chicken wings or drumstick which contains fat.
2. Place food on the Baking rack.
3. When setting in “broil”, only top heating element will work.
NOTE – We always suggest preheating oven about 3-5 minutes before placing the food.
4. Rotate the Function Knob clockwise to “Broil” position
5. The Timer Knob is the on/off switch
 - a) For short time rotate the Timer Knob **clockwise** (up to 15 minutes), when the cycle is finished, the bell will ring and the power is automatically turned off

OR

- b) For longer time, rotate the Time Knob **counter clockwise** to “stay on” setting. The cooking will continue until the Timer Knob is **manually** turned to “off” position and the bell will ring.

NOTE – Always monitor the food at this setting to prevent overcooking. Overturn the food during the process or add the flavoring if necessary. Always use oven mitts to prevent the risk of scalding.

BAKING

1. Slide the Baking Tray into the bottom rack level.
2. Place food on the Baking Tray
When setting in “bake”, only bottom heating element will work.
NOTE – We always suggest preheating oven 5 minutes at this setting before placing food inside

Cooking Chart		
Food	Quantity	Time
Sandwich	2 – 3 slices	2 – 3 minutes
Toast	2 slices	2 – 3 minutes
Hamburger	2 – 3 slices	3 – 5 minutes
Pizza	2 pieces	6 – 8 minutes
Bacon	2cm cutlet	7 – 12 minutes
Sausage	3 – 4 pieces	8 – 10 minutes
Fish	1 – 2 slices	10 – 12 minutes
Steak	1cm cutlet	10 – 15 minutes

3. Rotate the Function Knob clockwise to “Bake” position
4. Setting the time based on the food type, thickness. The heating element will be cycled on and off to maintain the set temperature.
5. The maximum time can be set by timer is 15 minutes, for longer time over 15 minutes you must set the timer to “stay on” position. In this case you must stop the oven manually by turning the Timer Knob to OFF position once the food is done.

NOTE – Always monitor the food at this setting to ensure that you are not overcooking.

Care & Cleaning

1. Before cleaning unplug the toaster oven and let it cool completely.
2. Wash all the attachments with mild, soaped water including the rack and the baking Tray.
3. Do not use abrasive cleansers, scrubbing brushes and chemical cleaner as this will cause damage to the non-stick coating of baking Tray.
4. Using a wet cloth to wipe the inner of the oven.
5. To clean the door by using a wet cloth saturated with detergent or soap.
6. Never immerse the unit in water or other liquid.
7. Cleaning the Bottom of the Crumb Tray
8. This appliance has a drop open crumb tray at the bottom of the baking chamber. First unplug this appliance and allow cooling.
9. To clean out the crumbs, simply tilt the unit backwards and push the Crumb Tray Slide Fastener towards the rear, down allow dropping on counter top.
10. Wipe interior of crumb tray with a damp cloth. After cleaning, slide the "Crumb Tray Slide Fasteners " into the tabs to lock the crumb tray.
11. Washing of the interior of the crumb tray is accomplished by placing unit on its back side and allow crumb tray to fall forward for easy cleaning.