

CM035-ST-2 | Vehicle Specific Mount Swivel AMPS Pedestal



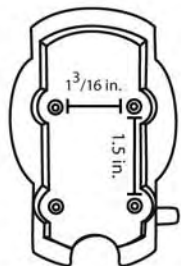
CM035-ST-2 4-hole AMPS to Dual T-tab conversion head



CM035-ST 4-hole mount / AMPS to T-tab conversion head



CM035-ST-AMPS 4-hole AMPS Adapter Plate (for Sirius, and other devices without a T-slot)



A typical 4-Hole AMPS pattern (Cradle not included)

Package Contents:

- (1) CM035-ST or CM035-ST2 or CM035-AMPS Vent Mount Assembly
- (4) Screws for vehicle specific mounting bracket (not included)
- (4) Screws for optional dash or console mounting.

NOTES:

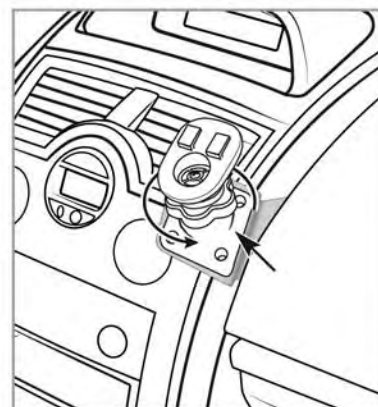
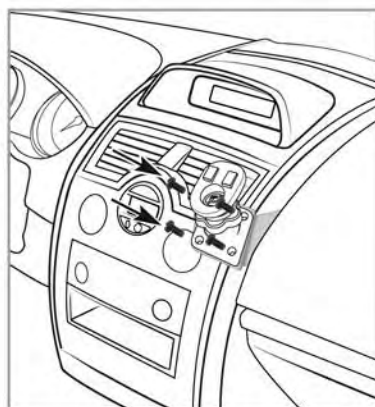
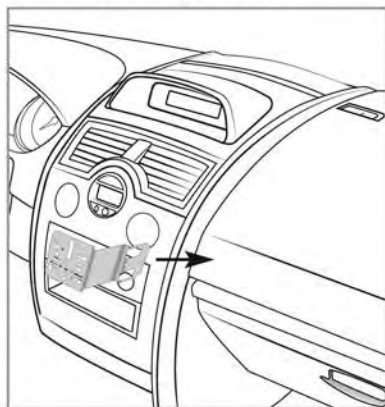
1. Drilling onto the dash or console can permanently damage the vehicle.

Vehicle Specific Mount Installation Instructions

Step 1. Install the vehicle specific mount (sold separately by other manufacturers) according to the instructions included with your vehicle specific mounting bracket (see example below).

Step 2. Line up the CM035-ST pedestal with the 4-hole AMPS pattern on the mounting bracket and use the included screws to attach the pedestal to the head.

Step 3. Loosen the swivel tightening knob by turning it counter clockwise. Adjust the angle of the pedestal head as needed, then retighten to secure.



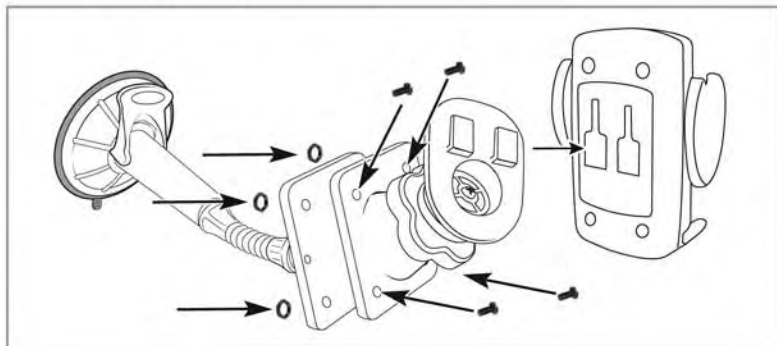
(VSM brackets sold separately by other manufacturers)

Brodit Bracketron ProClip
THB Bury Pro.Fit Panavise

All brand names and product names are trademarks or registered trademarks of their respective owners.

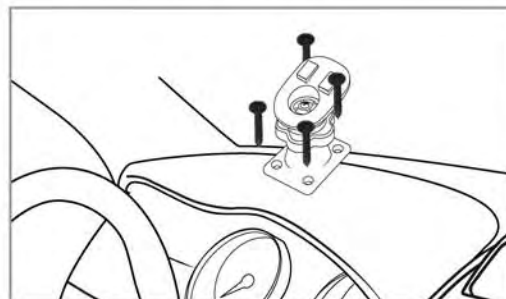
Installation Instructions for AMPS Pedestal Mount

Step 3. Use included screws and bolts to attach CM035-ST-2 to any AMPS head pedestal to provide swivel action. Any DualT-tab cradle (sold separately) can then be attached.



Dash or Console Mounting Installation Instructions

Step 3. Use included self-tapping screws to attach the pedestal to dash or console.



Warning: Drilling onto the dash or console will permanently damage the vehicle. Do not mount in an airbag deployment zone. See warning below.



Safety Precautions / Warning

Drilling onto the floor or console can permanently damage the vehicle. Use caution and consult a mobile install professional to avoid drilling into the gas tank, electrical system or other highly sensitive vehicle components.

Arkon Resources, Inc. is not responsible for any damages caused to your car, your device, or yourself due to the installation or use of this mounting solution.

ARKON
RESOURCES INC.

The Mobile Mounting Specialists™

Consumer Hotline:
(USA) (800) 841-0884
(INT'L) (626) 254-9005

Mon-Fri. 9am-5pm, PST

www.arkon.com
Arcadia, CA 91006 USA
Made in Taiwan

© Copyright 2007 Arkon Resources, Inc.