

# IKELITE VIDEO CASE

## SUPPLEMENTAL INSTRUCTIONS FOR #6071 Canon HV-20



This supplemental set of instructions describes additional features specific to your housing model. Prior to testing the system in the water, please read this supplement along with the general instruction manual to become familiar with its features and functions.

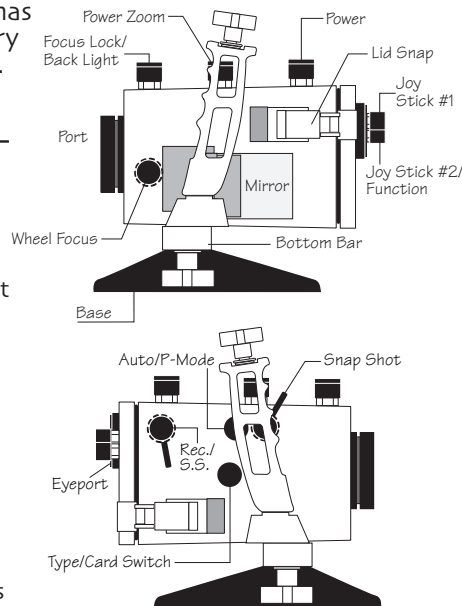
Ikelite Video Cases are slightly negative in salt water for stability. This housing has been water pressure tested at the factory and has a working depth of 60m (200').

### HOUSING CONTROLS

- Power On/Off / Mode
- Start/Stop
- Power Zoom
- Photo
- Auto / Manual Focus Lock / Back Light
- Focus Wheel
- Type / Card Switch
- Auto / P-Mode
- Joy Stick #1
- Joy Stick #2 / Function

### MAIN O-RING #0109

O-rings last several years if properly maintained. Control seals should not need to be replaced as long as the control shafts are kept clean and lightly lubricated.



## PREPARATION

### PACKAGED WITH HOUSING

- External UR/Pro Color Filter
- Internal Lens Shade
- Silicone Lubricant

### COLOR FILTER

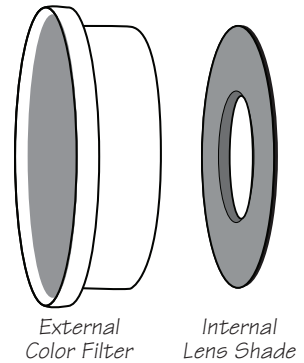
The installation and usage of the external UR/Pro color filter is described in the general instruction manual.

### LENS SHADE

The internal lens shade helps block light reflection/refraction caused by the interaction of the external color filter and the port.

Carefully thread the lens shade on the front of the camera lens. The lens threads are very fine; **DO NOT** cross thread. It should screw on very easily. If it is difficult to turn, you are cross threading.

Completely thread the lens shade into the camera to avoid any potential clearance or sealing problems when the camera is installed and the housing is sealed.



### SUPER-EYE VIEWFINDER

See exactly what the camera sees underwater using the camera's electronic viewfinder in conjunction with the Ikelite Super-Eye, which is permanently mounted in the eyepoint on the clear back plate. The Super-Eye extends the viewfinder image to provide enhanced viewing underwater.

### LCD MONITOR / EXTERNAL MIRROR

The camera's LCD monitor can be viewed from the rear of the housing, using the external mirror featured on the side of the housing.

Open the LCD monitor on the camera, rotate 180°, and then press it back against the side of the camera. The external mirror is hinged so that it can be opened to reflect the image from the camera's LCD monitor for viewing from the rear of the housing. But this will keep the eye piece turned off and the LCD image will appear opposite, left to right.

During transportation, please remember to close the mirror by pressing it against the side of the housing.

### BATTERY AND TAPE

Install a fully charged Sony battery on the camera:

Canon NB-2LH, BP-2L13, BP-2L14

Other brand batteries may not fit inside the housing.

Make sure you have loaded an appropriate digital cassette tape in the camera.

## OPTIONAL WIDE ANGLE LENS

The housing's port accepts optional 67mm threaded waterproof Wide-Angle lenses such as the Ikelite #6420 W-20, Epoque DCL-20 and Inon UWL-100 Type 2 and Sea&Sea (58070). These waterproof lenses secure to the outside of the lens port.

Should you elect to use the optional Ikelite #6420 W-20, Epoque, Inon or Sea&Sea lens, carefully thread the waterproof lens on the front of the lens port. The lens threads are very fine; **DO NOT** cross thread. It should screw on very easily. If it is difficult to turn, you are cross threading.

## INTERNAL WIDE-ANGLE LENS OPTION

Special ports are available for use with the Raynox HD-5050 Pro high definition wide-angle lens. optional ports sold separately as dome port #9304 or flat lens port #9304.1. Raynox HD-5050 Pro lens not included. Lens **not** available for purchase through Ikelite.

## FINAL PREPARATION

*Remove the lens cap and cord from the camera. Otherwise, they may interfere with the housing seal.*

The camera's auto focus feature is utilized underwater. For best results, move in close to your subject and use the wide angle range to shoot thru as little water as possible. The full zoom range is accessible underwater.

*Turn the camera's built-in flash OFF.* Chart shows recommended initial settings underwater.

| CAMERA         | SETTING                   |
|----------------|---------------------------|
| Power On/Off   | - Camera (On)             |
| Zoom Lever     | - Wide Angle Setting      |
| Focus          | - Auto Mode               |
| Exposure       | - Auto Mode               |
| Program AE     | - Auto Mode               |
| Shutter Speed  | - 1/60 Normal             |
| White Balance  | - Auto Mode (see section) |
| Steady Shot    | - Off                     |
| Built-in Flash | - Off                     |

## WHITE BALANCE

Initially set the white balance to Auto. Use the Joy stick controls on the housing to change white balance.

**Color Filter:** When using the color filter (during the day), set camera white balance to Indoor for 0-15 foot depth. For 15-80 foot depth, set white balance to Outdoor.

**Video-Lite:** When using optional Video Lite at NIGHT, set the camera white balance to the Indoor position. During the DAY, use the Outdoor setting for subjects beyond 4-5 feet and the Indoor setting for closer subjects.

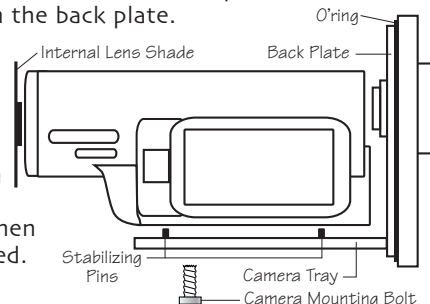
# INSTALLATION

## CAMERA TRAY

The camera mounts to the tray, which extends from the back plate of the housing. **DO NOT** remove the tray from the back plate.

Position the camera against the two stabilizing pins on the tray and secure with the camera mounting bolt. The camera should fit easily on the tray and should be parallel with the sides of the tray.

Make certain that the lens shade has been threaded completely into the camera to avoid any potential clearance or sealing problems when the camera is installed and the housing is sealed.



## INSERTING THE CAMERA

Check that the o'ring is clean and properly positioned on the lip of the clear housing back plate. Check that the lens shade is completely threaded into the camera.

Once the camera is mounted to the tray as shown above, pull the housing controls out to provide clearance for installing the camera. Make sure the lens shade on the front of the camera fits into the port recess in the front of the housing.

**DO NOT** force this installation; the camera and tray should slide easily into place so the housing's back plate o'ring is resting against the main housing body. In this position the lid snaps can be positioned over the lid hooks on the housing back plate and snapped into position to seal the housing.

## HOUSING CONTROLS

Slide the housing controls back in place making sure they properly align with the camera functions.

Operate each control to see how it works with the camera. Some controls such as start/stop will be used frequently. Other controls may seldom be utilized. Refer to your camera owner's manual for the proper function of each camera control. Look thru the back to be sure that you can see into the viewfinder.

*When using the housing controls, especially the start/stop, do NOT use excessive force because you could damage the camera.*

## CAUTION

*Remove the lens cap and cord from the camera. Otherwise, the cord may interfere with the housing seal.*

*If the housing controls are not properly positioned, they could interfere with the housing seal.*

## MANUAL FOCUS OPERATION

Manual focus may be preferred in low light levels or when the subject possesses little contrast. Set the focus switch to Manual to cancel the auto focus. If you want to manually adjust the focus, rotate the manual focus control as desired. To reactivate the auto focus, set the focus switch to Auto.

## IKELITE UNDERWATER SYSTEMS

50 West 33rd Street • PO Box 88100 • Indianapolis, IN 46208 USA • 317.923.4523  
Email: ikelite@ikelite.com • www.ikelite.com