

Bump Case User's Guide

FPCCC24

I N S T R U C T I O N S

These instructions provide details on using the FPCCC24 Bump Case. This case is designed for use with your Tablet PC. The bump case provides added protection when transporting, using, or storing the Tablet PC.

We strongly recommend that you read these instructions prior to using the bump case with your computer.

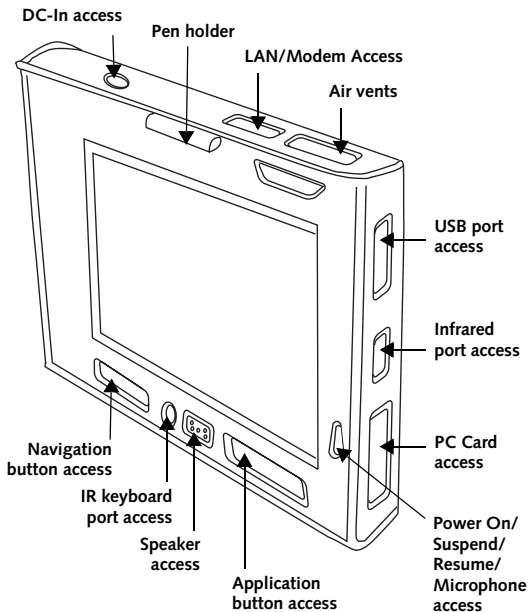


Figure 1. Bump case - Front

Installing the Tablet PC



Prior to installing the Tablet PC into the bump case, remove the pen. Once the system is installed, you won't be able to remove the pen. Store the pen in the pen holder. (See Fig. 1)

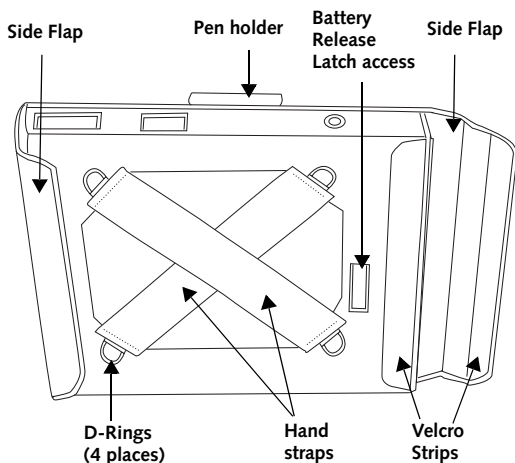


Figure 2. Bump case - Rear

To install your Tablet PC into the bump case, position the case face down as shown in Figure 2. Open the right side flap of the case (as seen from the back). The flap is secured by a long strip of Velcro® that is attached to the back of the bump

case. Note that the flap on the left side also opens for port access, but restraining straps prevent the system from being inserted or removed from that side.

Slide the system into the bump case, with the screen facing the open window. (See Figure 3). Reattach the flap to the side of the case.

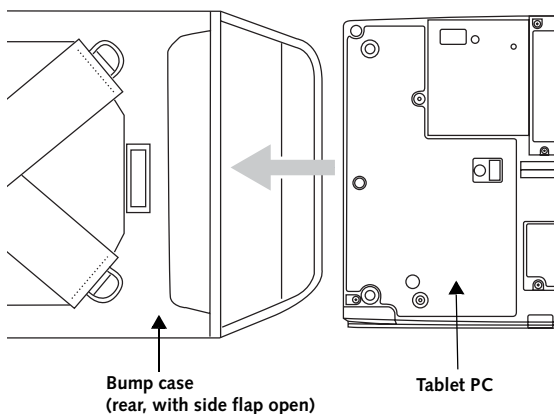


Figure 3. Inserting Tablet PC into Bump Case

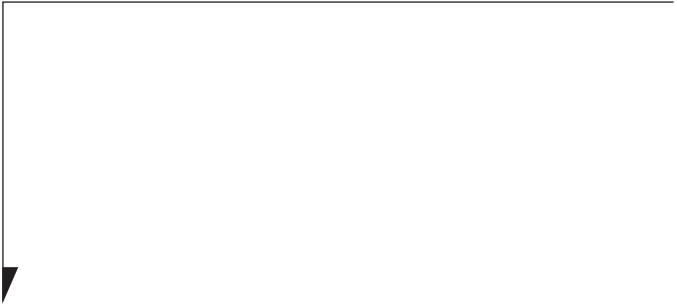
The ends of the elasticized handstraps have D-rings to which you can attach the shoulder strap. To secure the shoulder strap, attach the strap clips to two of the D-rings. The bump case can be carried vertically, horizontally, or diagonally, depending on how you orient the clips.

You can also use one of the D-rings to attach a pen tether.

Caring for the bump case

The bump case is made of rugged materials, and is designed to withstand daily use. Treat the case as you would a briefcase or purse.

Occasionally, the bump case may become soiled. To clean it, use a clean cloth and warm soapy water to wash the soiled area.







Fujitsu Computer Systems Corporation

1250 E. Arques Avenue (M/S 122),
Sunnyvale, California 94085

For more information, call
1-877-372-3473 or visit our Web site at:
us.fujitsu.com/computers

For technical support call: **1-800-8Fujitsu (1-800-838-5487)**
or e-mail us at: **8fujitsu@us.fujitsu.com**

Fujitsu and the Fujitsu logo are registered trademarks of Fujitsu, Ltd. Microsoft and Windows are registered trademarks of the Microsoft Corporation. All other trademarks mentioned herein are the property of their respective owners. We cannot guarantee the accuracy of the contents of this document. We disclaim liability for errors, omissions or future changes.

© 2003 Fujitsu Computer Systems Corporation. All rights reserved.

FPC58-0721-03