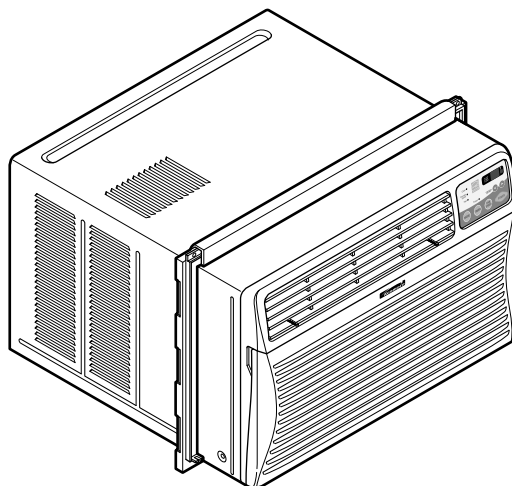


SEARS

Kenmore[®]
ROOM AIR CONDITIONER

REPAIR PARTS LIST

Model No.
580.75151500



The model number of your Air Conditioner can be found on the right side of the cabinet.

All repair parts listed are available for immediate purchase or special order when you visit your nearest Sears Service Center, or the Service Department at most Sears stores. To order parts by phone, call the toll free parts number listed to the left.

When requesting service or ordering parts, always provide the following information:

- ◆ Product Type
- ◆ Model Number
- ◆ Part Number
- ◆ Part Description

To Call
Toll Free
For Parts:

1-800-366-PART
(1-800-366-7278)

For Service:

1-800-4-MY-HOME
(1-800-469-4663)

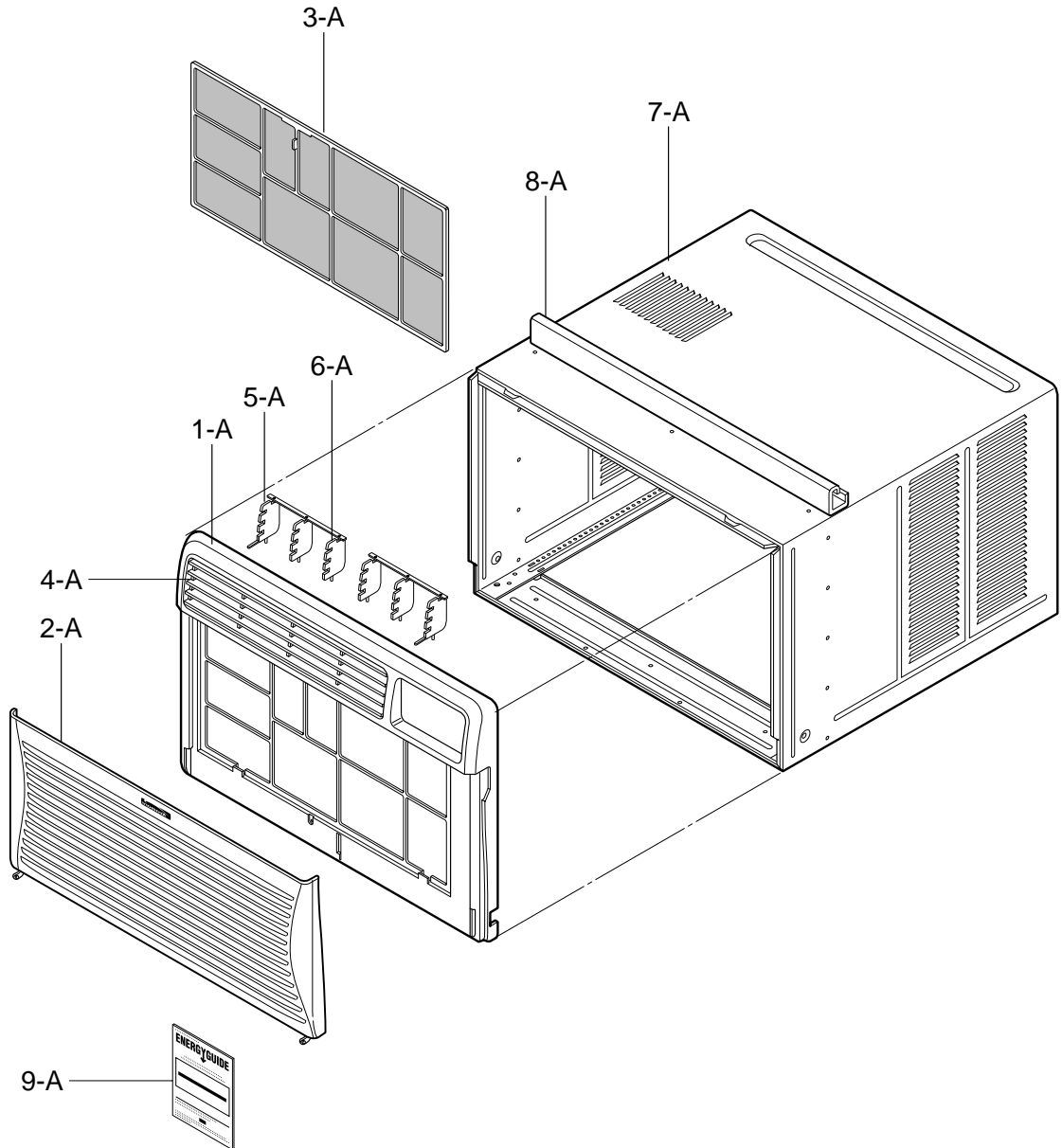
REPAIR PARTS

Room Air Conditioner
Model No. 580.75151500

To order Parts call Toll Free
1-800-4-MY-HOME®(1-800-469-4663)

CAUTION: Use the Kenmore part number on all orders, **not** the illustration number.

CABINET & FRONT GRILLE ASSEMBLY



CAUTION: Use the Kenmore part number on all orders, **not** the illustration number.

CABINET & FRONT GRILLE ASSEMBLY

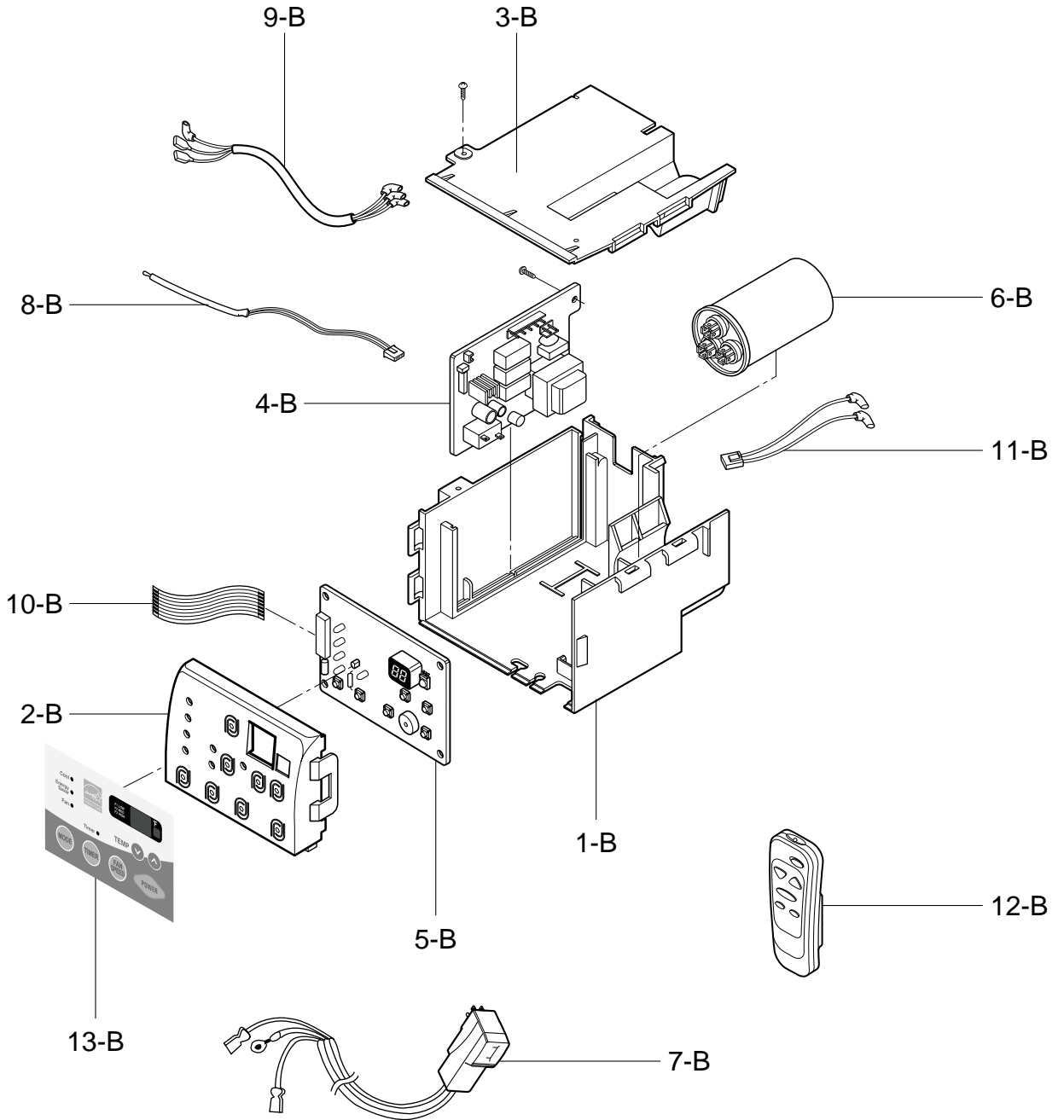
ILLUSTRATION NUMBER	PART NUMBER	DESCRIPTION
1 - A	3530A10213A	FRONT GRILLE
2 - A	3530A10214A	INLET GRILLE
3 - A	5231A20008A	AIR FILTER ASSEMBLY
4 - A	4758A30047A	VANE
5 - A	4758A30050A	LOUVER
6 - A	4758A30050B	LOUVER
7 - A	3091AR6057R	CABINET ASSEMBLY
8 - A	2H00858D	UPPER GUIDE
9 - A	3850A27114C	LABEL, ENERGY
*	3828A21007E	MANUAL OWNER'S

= Functional Parts

* = Non-illustrated Parts

CAUTION: Use the Kenmore part number on all orders, **not** the illustration number.

CONTROL BOX ASSEMBLY



CAUTION: Use the Kenmore part number on all orders, **not** the illustration number.

CONTROL BOX ASSEMBLY

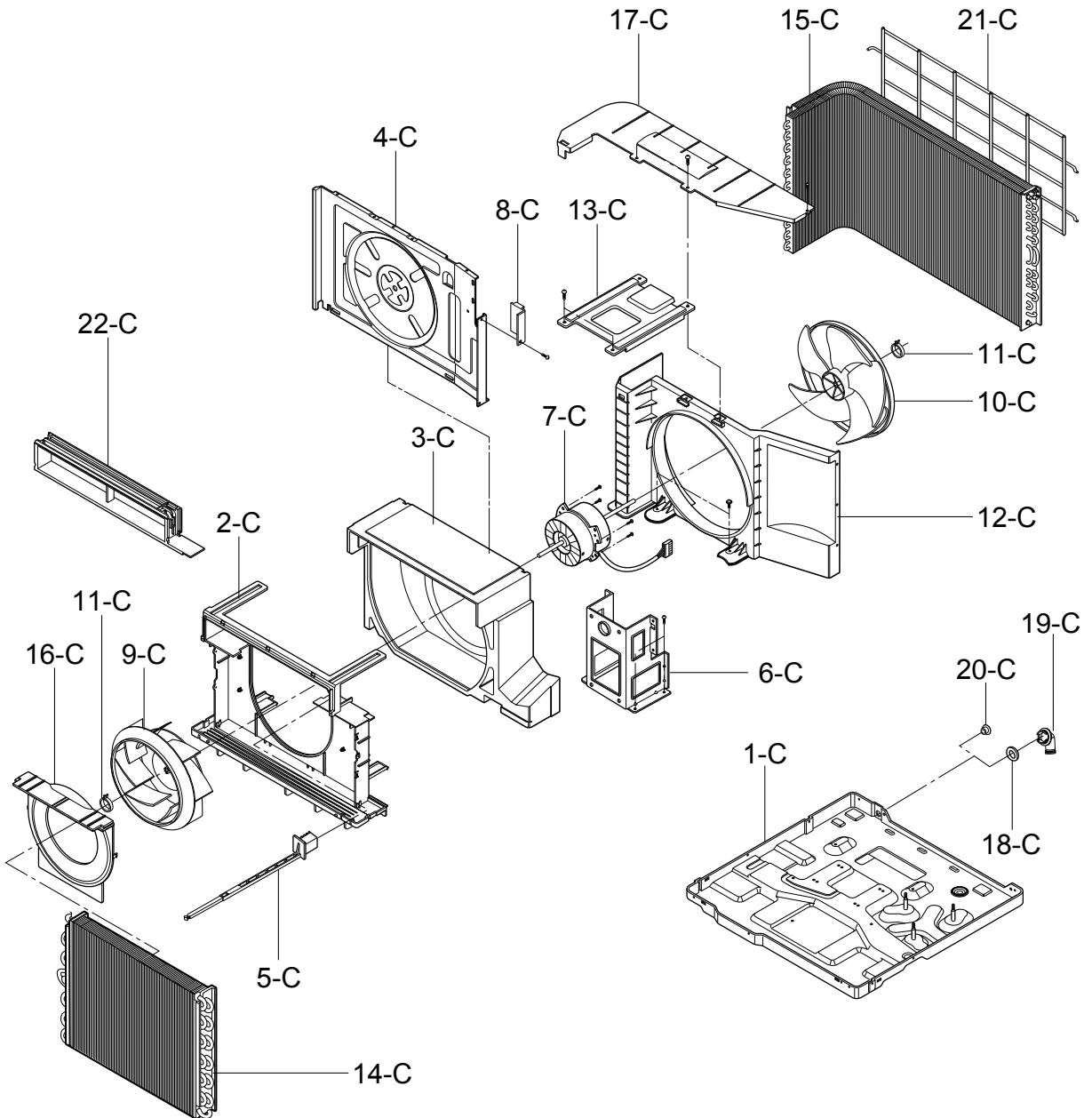
ILLUSTRATION NUMBER	PART NUMBER	DESCRIPTION
1 - B #	4994A20045A	CONTROL BOX
2 - B	3720A10112A	PANEL, CONTROL
3 - B	3550A30122A	COVER, CONTROL BOX
4 - B	6871A20617P	PWB ASSEMBLY, MAIN
5 - B #	6871A20604E	PWB ASSEMBLY, DISPLAY
6 - B	0CZZA20001L	CAPACITOR
7 - B	6411A20048U	POWER CORD ASSEMBLY
8 - B	6323A20012C	THERMISTOR ASSEMBLY
9 - B	6631AR3843V	CONNECTOR ASSEMBLY
10 - B	6850A90001G	CABLE FLAT
11 - B	6631A30003A	CONNECTOR ASSEMBLY
12 - B	6711A20056T	REMOTE CONTROL
13 - B	3831A20097D	ESCUTCHEON

= Functional Parts

* = Non-illustrated Parts

CAUTION: Use the Kenmore part number on all orders, **not** the illustration number.

AIR HANDLING & CYCLE PARTS



CAUTION: Use the Kenmore part number on all orders, **not** the illustration number.

AIR HANDLING & CYCLE PARTS

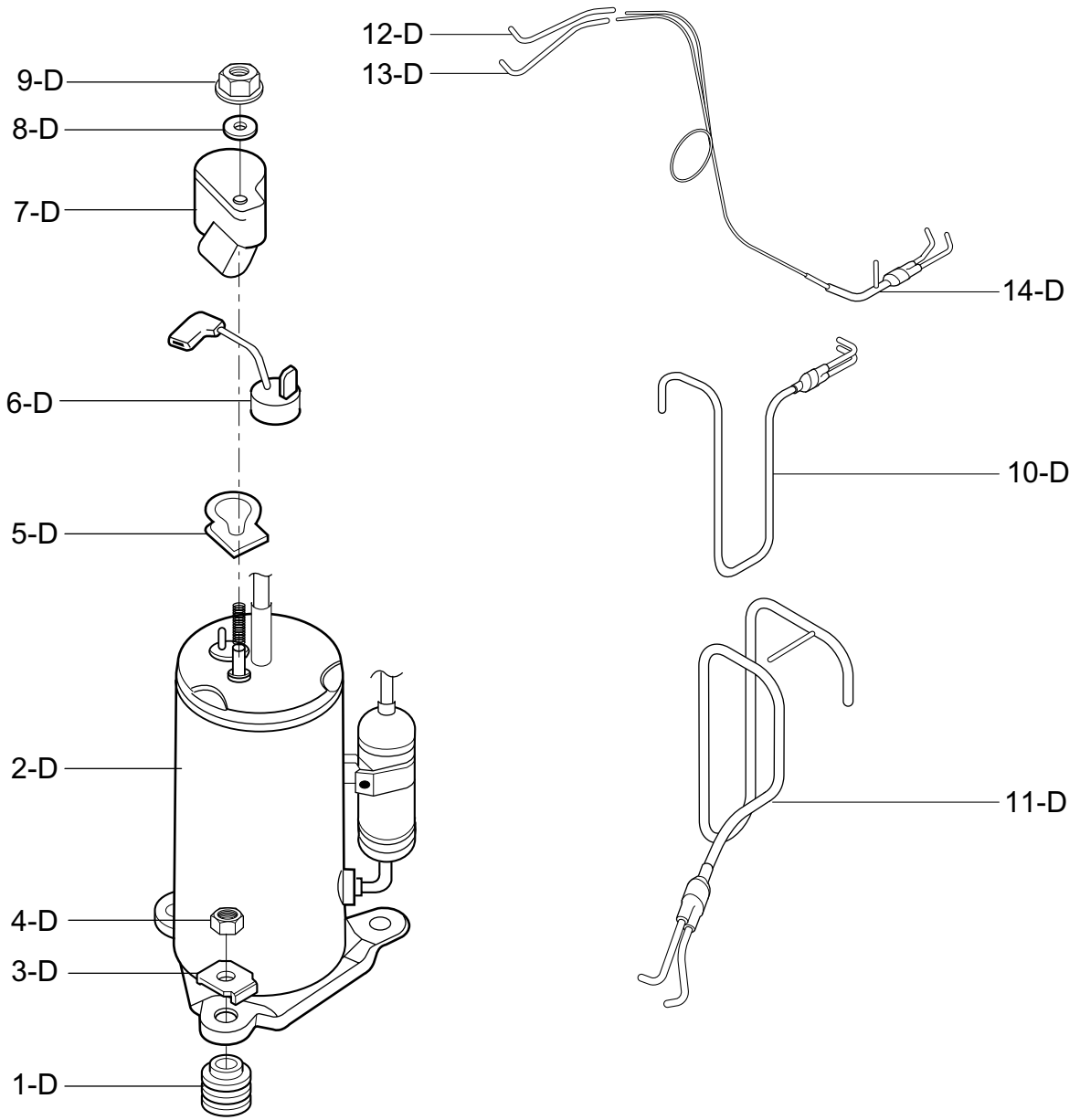
ILLUSTRATION NUMBER	PART NUMBER	DESCRIPTION
1 - C	3041A20023T	BASE PAN WELD ASSEMBLY
2 - C	5238A10008A	AIR GUIDE
3 - C	3072A20005A	SCROLL
4 - C	4790A20031A	BARRIER
5 - C	4900A20004A	DAMPER
6 - C	4960AR1596A	MOTOR MOUNT
7 - C #	4681A23010A	MOTOR ASSEMBLY
8 - C	4790A30018A	BARRIER, BLOCK
9 - C #	5901A20009A	TURBO FAN
10 - C #	5900AR1508A	AXIAL FAN
11 - C	3H02932C	CLAMP SPRING
12 - C	4998A10013A	SHROUD
13 - C	4800A20001A	BRACE
14 - C #	5421A20091F	EVAPORATOR ASSEMBLY
15 - C #	5403A20062B	CONDENSER ASSEMBLY
16 - C	4948A30008A	ORIFICE
17 - C	3550A20089A	COVER, SHROUD
18 - C	4H01029F	WASHER RUBBER
19 - C	4H01010A	PIPE ELBOW
20 - C	4H02023A	HOLE RUBBER
21 - C	3530A20042D	GRILLE, REAR
22 - C	5238A20014A	AIR GUIDE UPPER

= Functional Parts

* = Non-illustrated Parts

CAUTION: Use the Kenmore part number on all orders, **not** the illustration number.

COMPRESSOR PARTS



CAUTION: Use the Kenmore part number on all orders, **not** the illustration number.

COMPRESSOR PARTS

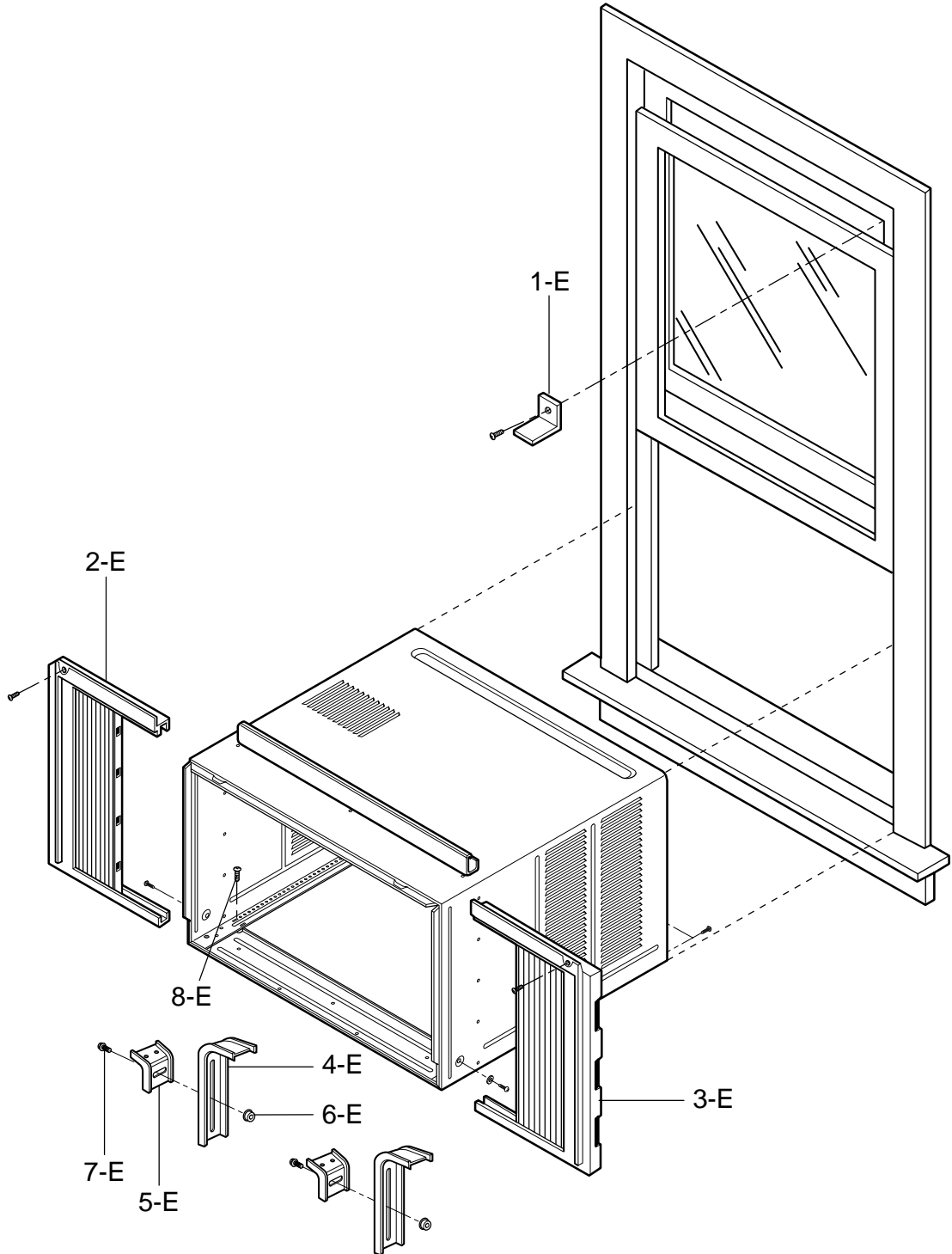
ILLUSTRATION NUMBER	PART NUMBER	DESCRIPTION
1 - D	4H00982C	ISOLATOR, COMP
2 - D #	2520UCBK025	COMPRESSOR
3 - D	4810AR4155B	BRACKET, WASHER
4 - D	1NHA0801206	HEXAGON NUTS
5 - D	4986UTL001G	GASKET
6 - D	6750U-L046A	OVERLOAD PROTECTOR
7 - D	3550UTL006A	TERMINAL COVER
8 - D	4H01058A	GASKET NUT
9 - D	4H00947A	TERMINAL COVER NUT
10 - D	5211A34005A	TUBE ASSEMBLY DISCHARGE
11 - D	5211A20441K	TUBE ASSEMBLY SUCTION
12 - D	5210A23358A	TUBE, FORMED
13 - D	5210A23358B	TUBE, FORMED
14 - D	5211AR3332Z	TUBE ASSEMBLY CAPILLARY

= Functional Parts

* = Non-illustrated Parts

CAUTION: Use the Kenmore part number on all orders, **not** the illustration number.

INSTALLATION KIT ASSEMBLY



CAUTION: Use the Kenmore part number on all orders, **not** the illustration number.

INSTALLATION KIT ASSEMBLY

ILLUSTRATION NUMBER	PART NUMBER	DESCRIPTION
1 - E	4H01785B	L BRACKET
2 - E	4959AR3402E	CURTAIN ASSEMBLY
3 - E	4959AR3402F	CURTAIN ASSEMBLY
4 - E	3H01479D	SUPPORT BRACKET
5 - E	3H01395C	SILL BRACKET
6 - E	4H01516A	LOCK NUT
7 - E	4H01483A	CARRIAGE BOLT
8 - E	4H01482A	M-SCREW

= Functional Parts

* = Non-illustrated Parts

Get it fixed, at your home or ours!

Your Home

For repair – **in your home** – of **all** major brand appliances, lawn and garden equipment, or heating and cooling systems, **no matter who made it, no matter who sold it!**

For the replacement parts, accessories and owner's manuals that you need to do-it-yourself.

For Sears professional installation of home appliances and items like garage door openers and water heaters.

1-800-4-MY-HOME® (1-800-469-4663)

Call anytime, day or night (U.S.A. and Canada)

www.sears.com www.sears.ca

Our Home

For repair of carry-in items like vacuums, lawn equipment, and electronics, call or go on-line for the location of your nearest **Sears Parts & Repair Center.**

1-800-488-1222

Call anytime, day or night (U.S.A. only)

www.sears.com

To purchase a protection agreement (U.S.A.) or maintenance agreement (Canada) on a product serviced by Sears:

1-800-827-6655 (U.S.A.)

1-800-361-6665 (Canada)

Para pedir servicio de reparación a domicilio, y para ordenar piezas:

1-888-SU-HOGARSM

(1-888-784-6427)

Au Canada pour service en français:

1-800-LE-FOYER^{MC}

(1-800-533-6937)

www.sears.ca

SEARS