

16:9 Rear Seat Entertainment Display

ENGLISH

ESPAÑOL

DEUTSCH

Owner's Manual

AVD-W6200

This product conforms to new cord colors.

Los colores de los cables de este producto se conforman con un nuevo código de colores.

Dieses Produkt entspricht den neuen kabelfarben.

Contents 1

IMPORTANT SAFEGUARDS 2

- Please Read All of These Instructions Regarding Your Display and Retain them for Future Reference 2

Fitting and Removing the Display3

- To fit the display3
- To remove the display4

IMPORTANT INFORMATION 5

- About This Product 5
- Precaution 5
- In Case of Trouble 5

Before Using This Product 6

- To Avoid Battery Exhaustion 6
- To Protect the LCD Screen of the Display 6
- When Viewing is Difficult, use [BRIGHTNESS] and [DIMMER] to Adjust 6
- About the RCA Video and Audio Outputs of this Unit.....6
- To Ensure Safe Driving 7
- Resetting the System 8
 - Resetting the Microprocessor
 - Resetting the Setup Function

Key Finder 9

- Component Parts and Features 9

Basic Operation 10

- Turn On Power 10
- Volume Adjustment 11
- Selecting a Source 11
- Changing the Wide Screen Mode 12
 - Wide Modes Available

Operating the Setup Function 14

- Dimmer Setting [DIMMER] 14
- Entering the Setup Function 15
- Functions to be set..... 15
 - Brightness [BRIGHTNESS]
 - Contrast [CONTRAST]
 - Color [COLOR]
 - Hue [HUE]
 - Location [LOCATION]
 - Speaker [SPEAKER]
 - Color System [COLOR SYSTEM]

Using the Display Correctly 17

- Handling the Display 17
- About the Liquid Crystal Display (LCD) Screen 18
- Keeping the Display in Good Condition 18
- About the Small Fluorescent Tube 18

Connecting the System 19

- Names and Functions of Connection Terminals 21
- Connecting the Power Cable 22
- Connection Diagram (VIDEO input) 23
- Connecting the RCA Audio and Video Output 24

Installation 25

- When the Display is Installed in the Front
 - Before Installing and Fixing 26
 - Before Affixing the Adhesive Tape 26
 - Installing the Hide-away Unit 27
 - Installation Precautions
 - Hide-away Unit Installation

Specifications 28

Please Read All of These Instructions Regarding Your Display and Retain them for Future Reference

1. Read this manual fully and carefully before operating your display.
2. Keep this manual handy for future reference.
3. Pay close attention to all warnings in this manual and follow the instructions carefully.
4. Never allow others to use the system until they have read and understood the operating instructions.
5. Do not install the display where it may (i) obstruct the driver's vision, (ii) impair the performance of any of the vehicle's operating systems or safety features, including airbags, or (iii) impair the driver's ability to safely operate the vehicle.
6. As with any accessory in your vehicle's interior, the display should not divert your attention from the safe operation of your vehicle. If you experience difficulty in operating the system or reading the display, please park safely before making adjustments.
7. Do not attempt to install or service your display by yourself. Installation or servicing of the display by persons without training and experience in electronic equipment and automotive accessories may be dangerous and could expose you to the risk of electric shock or other hazards.
8. Please remember to wear your seat belt at all times while operating your vehicle. If you are ever in an accident, your injuries can be considerably more severe if your seat belt is not properly buckled.
9. If this product is installed in a place where it is visible to the vehicle's driver, you **MUST** always set the [LOCATION] to the [FRONT] setting. Failure to do so could result in distracting images being potentially visible to the driver while the vehicle is in motion.

If this product is installed in a place where it is not visible to the vehicle's driver, then you may choose the [REAR] location setting.

Use of this product is subject to any government laws regarding placement or use. PIONEER does not accept any liability for any problems, damage or loss incurred as a result of the product being used with an incorrect setting or in violation of any government laws.

Fitting and Removing the Display

Precaution:

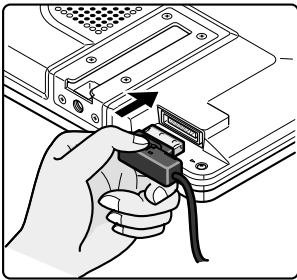
- To prevent failure, be sure to turn the ignition switch or system power OFF before fitting or removing the display. Also take care not to grip the screen or buttons too firmly or to drop the display.
- Do not let any water get on the terminals on the display or on the cable and do not allow the terminals to be shorted by a metal object or the like. This can cause system breakdown.
- Be careful not to touch terminals on the display or on the cable. Doing so may cause connection failures. If any terminals are stained, wipe them with a clean dry cloth.

Note:

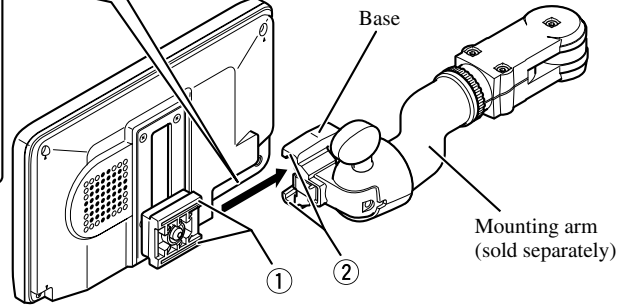
- The mounting arm described below is sold separately. For more information on the installation, refer to the instruction manual or consult your nearest dealer.

To fit the display

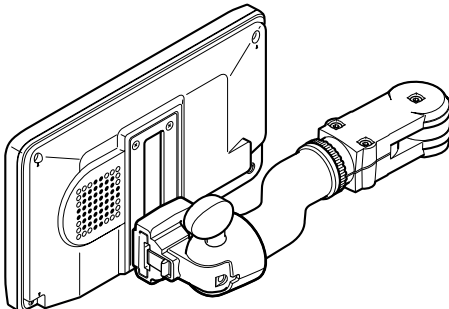
1. Fit part ① of the display into the grooves ② of the base.



Connect the cable to the display.

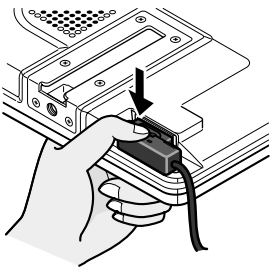
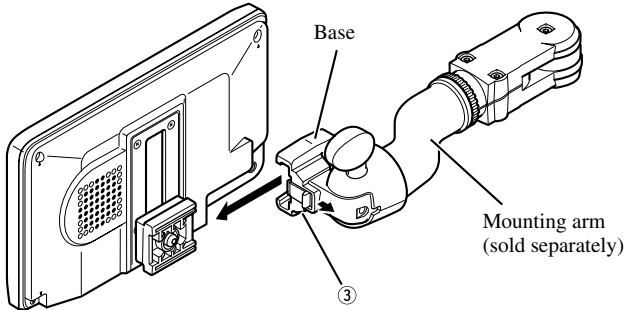


2. Slide the display until it clicks into place.

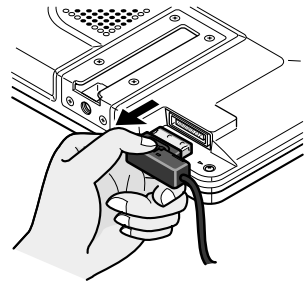
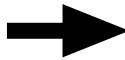


To remove the display

- Pull the lock release lever ③ and hold in that position, then slide the display and detach it from its base.
- To prevent theft of the display, remove the display when leaving the vehicle.



Press the lock release button while holding the display.



Keep holding the button and unplug the connector.

IMPORTANT INFORMATION

About This Product

- This product complies with the EMC Directives (89/336/EEC, 92/31/EEC) and CE Marking Directive (93/68/EEC).

- Do not place the display in a position where it will impede the driver's visibility or affect the operation of your vehicle's airbags or headrests.

Precaution

- Always keep the volume low enough for outside sounds to be audible.
- Protect the product from moisture.

In Case of Trouble

Should this product fail to operate properly, contact your dealer or the nearest authorized Pioneer service facility.

To Avoid Battery Exhaustion

Always run the vehicle engine while using this unit. Using this unit without running the engine can result in battery drainage.

To Protect the LCD Screen of the Display

- Do not allow direct sunlight to fall on the Display when this unit is not being used. Extended exposure to direct sunlight can result in LCD screen malfunction due to the resulting high temperatures.
- When using a portable phone, keep the antenna of the portable phone away from the Display to prevent disruption of the video by the appearance of spots, colored stripes, etc.

When Viewing is Difficult, use [BRIGHTNESS] and [DIMMER] to Adjust

Due to its construction, the view angle of the LCD screen is limited. The viewing angle (vertical and horizontal) can be increased, however, by using [BRIGHTNESS] to adjust the black density of the video. When using for the first time, adjust the black density in accordance with the viewing angle (vertical and horizontal) to adjust for clear viewing. [DIMMER] can also be used to adjust the brightness of the LCD screen itself to suit your personal preference.

About the RCA Video and Audio Outputs of this Unit

When you connect a separate piece of AV equipment such as another display to the RCA video and audio output jacks of the hide-away unit, you can select the source for output with the SOURCE button.

- The video and audio source of the RCA outputs of this unit cannot be selected independently.
- Volume control buttons will have no effect even if operated.

CAUTION

Never position the display connected to the RCA output jack of the hide-away unit so that the driver can view the picture while the vehicle is moving.

To Ensure Safe Driving

This unit senses whether the parking brake is on or off. When installed in the FRONT, it is arranged so that video cannot be viewed while the vehicle is moving. The various settings and adjustments are also not possible while driving. (The following message will be displayed on the screen while the vehicle is moving.)



ATTENTION
YOU CANNOT USE THIS
FUNCTION WHILE DRIVING

Stop the vehicle in a safe place, apply the parking brake and wait for the message to clear before starting operation.

Note:

- You cannot select wide mode while the message above is displayed on the screen. (Refer to page 12.)

Resetting the System

Resetting the Microprocessor

Pressing the RESET button lets you reset the microprocessor to its initial settings without changing the setup function settings.

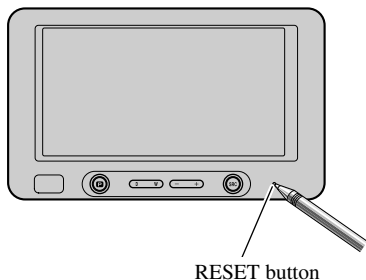
Reset the microprocessor in the following cases:

When using this product for the first time after installation.

When the product fails to operate properly.

When strange (incorrect) messages appear on the display.

- **To reset the microprocessor, press the RESET button on the unit with a pen tip or other pointed instrument.**



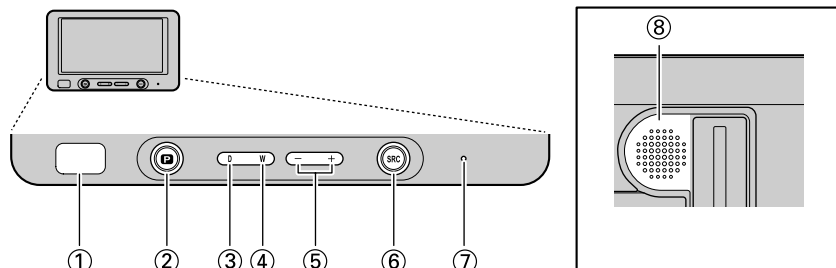
Resetting the Setup Function

The WIDE/MENU button and the RESET button let you erase all memorized settings and return the setup function to their initial (factory) settings without resetting the microprocessor. (Refer to the next page.)

1. **Hold the WIDE/MENU down and press the RESET button.**
2. **Release the RESET button and hold down the WIDE/MENU button for 2 seconds.**
3. **Release the WIDE/MENU button.**

Component Parts and Features

■ Display Unit



① **Signal receptor**

This receiver receives signals from a remote control.

② **POWER button**

Switches power ON/OFF.

③ **DIMMER button**

Selects the brightness level.

④ **WIDE/MENU button**

Changes the method of enlarging 4:3 video to 16:9 video. Pressing this button for 2 seconds, and displayed the setup function. Once the setup function is displayed, its function is switched each time the button is pressed.

⑤ **Volume control (-/+) buttons**

Adjust the volume of the built-in speaker ⑧, or change setup items when the setup function is displayed.

Note:

- Never set the volume so high that you cannot hear outside traffic and emergency vehicles.

⑥ **SOURCE button**

Switches between sources.

⑦ **RESET button**

Resets the microprocessor.

⑧ **Built-in speaker**

Outputs sound from audio equipment connected to this product.

WARNING

If this product is installed in a place where it is visible to the vehicle's driver, you **MUST** always set the [LOCATION] to the [FRONT] setting. Failure to do so could result in distracting images being potentially visible to the driver while the vehicle is in motion.

If this product is installed in a place where it is not visible to the vehicle's driver, then you may choose the [REAR] location setting.

Use of this product is subject to any government laws regarding placement or use.

PIONEER does not accept any liability for any problems, damage or loss incurred as a result of the product being used with an incorrect setting or in violation of any government laws.

Be sure to perform this setting. (Refer to page 16.)

Turn On Power

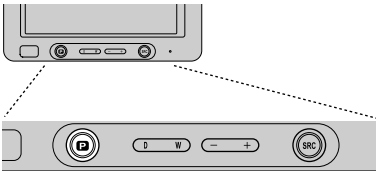
Remember to start the car engine before turning on the power to preserve battery life.

1. Start the car engine.



2. Turn on the system.

Press the POWER button.

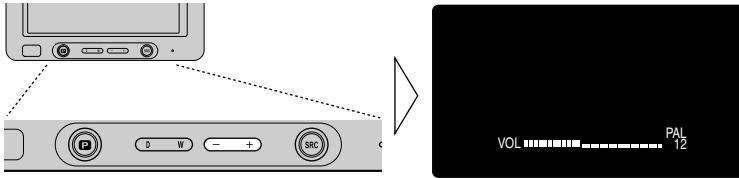


To turn off the system, press the POWER button again.

Volume Adjustment

Adjust the volume of audio output from the built-in speaker.

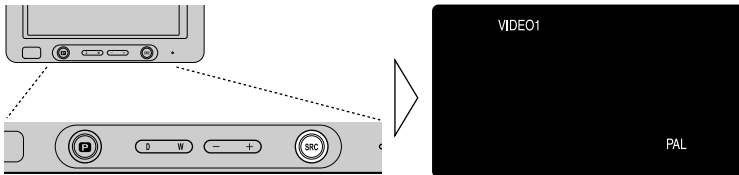
- **Raise or lower the speaker volume.**



The volume of the built-in speaker can be adjusted in a range of 0 to 30. (The volume level will be displayed for about 4 seconds.)

Selecting a Source

- **Select the desired source.**



Each press of the SOURCE button selects the desired source in the following order:
[VIDEO1] → [VIDEO2] → Exit to [VIDEO1]

Note:

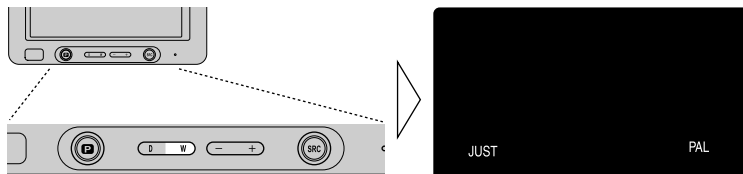
- [VIDEO1] and [VIDEO2] are audio and video from the AV equipment connected to the VIDEO1 or VIDEO2 input terminal. (Refer to page 21.)
- Verify the correct connection with the AV equipment connected to VIDEO1 or VIDEO2.

Changing the Wide Screen Mode

You can change the way in which normal video (aspect ratio 4:3) enlarges to wide video (16:9). Select wide modes to suit the kind of video you are viewing.

1. Display a source to view. (Refer to the previous page.)

2. Select a wide mode.



Each press of the WIDE/MENU button selects the wide mode in the following order:
[FULL] → [JUST] → [CINEMA] → [ZOOM] → [NORMAL] → Exit to [FULL]

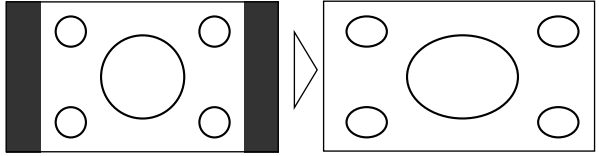
Note:

- Settings are stored for each source (VIDEO1, VIDEO2).
- When video is viewed in a wide mode that does not match its original aspect ratio, it may appear differently.
- Remember that using the wide mode feature of this system for commercial or public viewing purposes may constitute an infringement on the author's rights protected by the Copyright Law.

Wide Modes Available

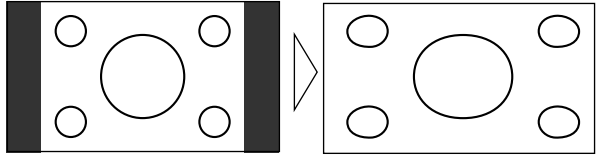
FULL

Video with an aspect ratio of 4:3 enlarges only horizontally. Enjoy viewing video widened without missing parts.



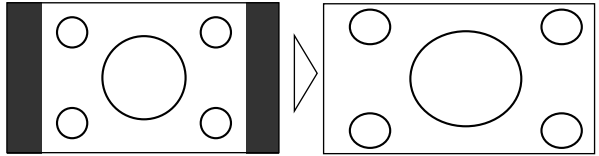
JUST

Video appears more extended horizontally as it gets closer to both edges of the screen. Because video appears in about the same size as regular video around the middle of the screen, enjoy viewing it without feeling out of place.



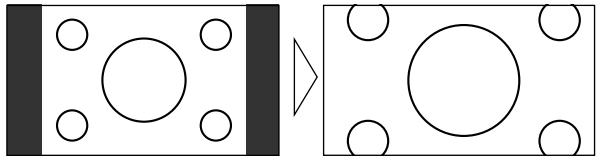
CINEMA

Video enlarges vertically with a aspect ratio falling between FULL and ZOOM. This wide mode is suited for horizontally long video, such as movies, in which titles are displayed in black areas outside the video.



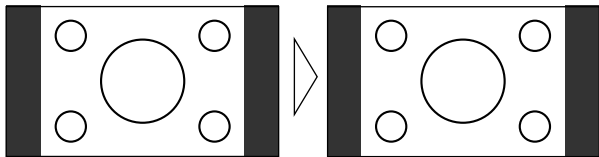
ZOOM

Video with an aspect ratio of 4:3 enlarges with the same aspect ratio in both vertical and horizontal directions. This wide mode is suited for horizontally long video, such as movies, in which titles overlap the video.



NORMAL

Video with an aspect ratio of 4:3 appears without enlarging. Enjoy viewing TV in the same video as it is broadcast.



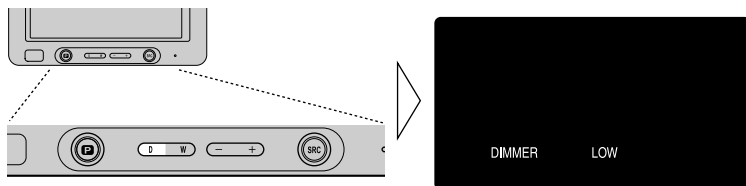
Note:

- Video will appear roughened when viewed in CINEMA or ZOOM mode.

Dimmer Setting [DIMMER]

Viewing can become difficult after extended video viewing if the screen is too bright at night or when ambient light darkens. You can select the brightness level from three settings; HIGH, MID and LOW viewing.

1. Display a source to view. (Refer to page 11.)
2. Select a brightness level.



Each press of the DIMMER button selects the brightness level in the following order:
[HIGH] → [MID] → [LOW] → Exit to [HIGH]

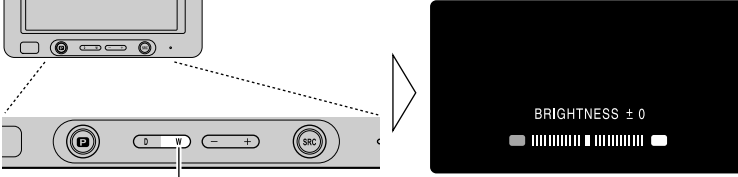
Note:

- Settings are stored by the source and the lighting switch (VIDEO1/VIDEO2, Car lights on/Car lights off).

Entering the Setup Function

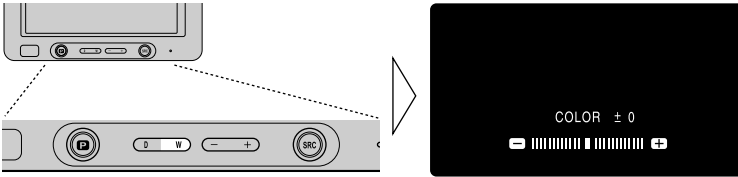
This system offers a number of functionality setup and adjustment features to make it easier to use. Customize the settings to suit your taste and environment.

1. Display the setup function.



Press and hold the WIDE/MENU button for 2 seconds.

2. Select a function.

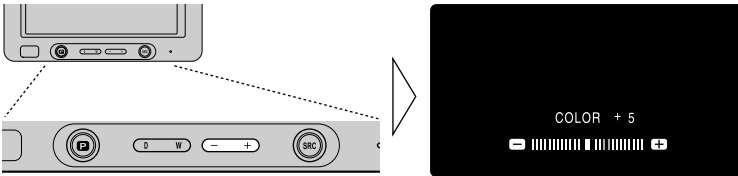


Each press of the WIDE/MENU button selects the desired function in the following order: [BRIGHTNESS] → [CONTRAST] → [COLOR] → [HUE] → [LOCATION] → [SPEAKER] → [COLOR SYSTEM] → Exit the setup function.

Note:

- [HUE] cannot be adjusted for PAL video.

3. Adjust the setting level. / Switch the setting.



Pressing the Volume control (-/+) buttons adjusts the setting level or switches the setting.

Functions to be set

For the operations of the following functions, refer to the explanation above. Settings for [BRIGHTNESS], [CONTRAST], [COLOR] and [HUE] are stored by the source and the lighting switch (VIDEO1/VIDEO2, Car lights on/Car lights off).

Brightness [BRIGHTNESS]

You can make black appear darker or lighter (-24 to +24).

Contrast [CONTRAST]

You can make narrow or widen the gap between black and white (darken) (-24 to +24).

Color [COLOR]

You can make colors appear lighter or darker (-24 to +24).

Hue [HUE]

You can adjust the red or green of the picture (-24 to +24).

Note:

- [HUE] cannot be adjusted for PAL video.

Location [LOCATION]

When using the display for the first time, set its mounting location.

[FRONT]: This product is installed on the dashboard or another location where the driver can see the display.

[REAR]: This product is installed in a location for viewing by rear seat passengers (in a location where the driver cannot see the display).

Note:

- When [LOCATION] has been set to [FRONT], the video cannot be viewed while the vehicle is moving. The setup function screen also cannot be displayed while the vehicle is moving. ([ATTENTION] will be displayed while the vehicle is moving.)
Stop the vehicle in a safe place, apply the parking brake and wait for [ATTENTION] to be cleared before starting operation.

Speaker [SPEAKER]

You can select [ON] or [OFF] for the audio from the built-in speaker.

Color System [COLOR SYSTEM]

You can select [NTSC] or [PAL] video for the color system. (The initial setting is [PAL].) The setting is stored for each source (VIDEO1, VIDEO2).

Note:

- If the setting of the color system is inadequate for the external component, images will not be correctly reproduced.



CAUTION

- If moisture or foreign matter should get inside the unit, turn OFF the power immediately and consult your dealer or the nearest authorized PIONEER service facility. Using the unit in this condition may result in a fire, electric shock or other failure.
- If you notice smoke, a strange noise or smell, or any other abnormal signs from the display, turn OFF the power immediately and consult your dealer or the nearest authorized PIONEER service facility. Using the unit in this condition may result in failure of the system.
- Do not remove the rear cover of the display, as there are high-voltage components inside which may cause an electric shock. Be sure to consult your dealer or the nearest authorized PIONEER service facility for internal inspection, adjustments or repairs.

Handling the Display

- When the display is not being used, never leave it under the direct sunlight or in extreme temperatures.
- The display should be used within the temperature ranges shown below.
Operating temperature range: -10 to $+50$ °C
Storage temperature range: -20 to $+80$ °C
At temperatures higher or lower than the operating temperature range, the display may not operate normally.
- The LCD screen of this product is exposed to improve view ability in the vehicle. Do not push the LCD screen strongly. This could break it.
- Do not touch the LCD screen. This could cause scratches or soiling.

About the Liquid Crystal Display (LCD) Screen

- If the display is near the vent of an air conditioner when it is deployed, make sure that air from the air conditioner is not blowing on it. Heat from the heater may break the LCD screen, and cool air from the cooler may cause moisture to form inside the display resulting in possible damage. Also, if the display is cooled down by the cooler, the screen may become dark, or the life span of the small fluorescent tube used inside the display may be shortened.
- Small black dots or white dots (bright dots) may appear on the LCD screen. These are due to the characteristics of the LCD screen and do not indicate a problem with the display.
- At low temperatures, the LCD screen may be dark for a while after the power is turned ON.
- The LCD screen will be difficult to see if it is exposed to direct sunlight.

Keeping the Display in Good Condition

- When removing dust from the screen or cleaning the display, first turn the system power OFF, then wipe with a soft dry cloth.
- When wiping the screen, take care not to scratch the surface. Do not use harsh or abrasive chemical cleaners.
- Do not use a wet cloth for cleaning. Do not use organic solvents, such as benzine, thinner.

About the Small Fluorescent Tube

- A small fluorescent tube is used inside the display to illuminate the LCD screen.
 - * The fluorescent tube is an expendable part and has a limited service life.
 - * The fluorescent tube should last for approximately 10,000 hours, depending on operating conditions. (Using the display at low temperatures reduces the service life of the fluorescent tube.)
 - * When the fluorescent tube reaches the end of its useful life, the screen will be dark and the image will no longer be projected. If this happens, consult your dealer or the nearest authorized PIONEER service facility.



CAUTION

- **PIONEER does not recommend that you install or service your display yourself. Installing or servicing the product may expose you to risk of electric shock or other hazards. Refer all installation and servicing of your display to authorized Pioneer service personnel.**
- **Secure all wiring with cable clamps or electrical tape. Do not allow any bare wiring to remain exposed.**
- **Do not drill a hole into the engine compartment to connect the yellow lead of the unit to the vehicle battery. Engine vibration may eventually cause the insulation to fail at the point where the wire passes from the passenger compartment into the engine compartment. Take extra care in securing the wire at this point.**
- **It is extremely dangerous to allow the display lead to become wound around the steering column or gearshift. Be sure to install the display in such a way that it will not obstruct driving.**
- **Make sure that wires will not interfere with moving parts of the vehicle, such as the gearshift, parking brake or seat sliding mechanism.**
- **Do not shorten any leads. If you do, the protection circuit may fail to work properly.**

Note:

- This unit is for vehicles with a 12-volt battery and negative grounding. Before installing it in a recreational vehicle, truck, or bus, check the battery voltage.
- To avoid shorts in the electrical system, be sure to disconnect the \ominus battery cable before beginning installation.
- Refer to the owner's manual for details on connecting other units, then make connections correctly.
- Secure the wiring with cable clamps or adhesive tape. To protect the wiring, wrap adhesive tape around them where they lie against metal parts.
- Route and secure all wiring so it cannot touch any moving parts, such as the gear shift, hand-brake and seat rails. Do not route wiring in places that get hot, such as near the heater outlet. If the insulation of the wiring melts or gets torn, there is a danger of the wiring short-circuiting to the vehicle body.
- Don't pass the yellow lead through a hole into the engine compartment to connect to the battery. This will damage the lead insulation and cause a very dangerous short.
- Do not shorten any leads. If you do, the protection circuit may fail to work when it should.
- Never feed power to other equipment by cutting the insulation of the power supply lead of the unit and tapping into the lead. The current capacity of the lead will be exceeded, causing overheating.
- When replacing a fuse, be sure to use only fuses of the rating prescribed on the fuse holder.

- If this unit is installed in a vehicle that does not have an ACC (accessory) position on the ignition switch, the red lead of the unit should be connected to a terminal coupled with ignition switch ON/OFF operations. If this is not done, the vehicle battery may be drained when you are away from the vehicle for several hours.



ACC position



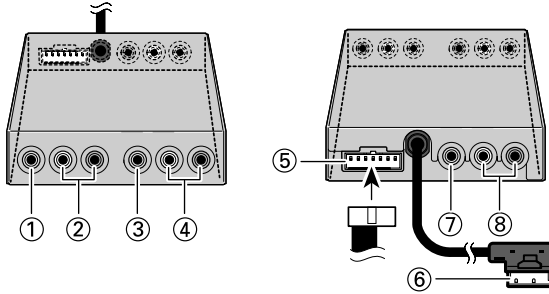
No ACC position

**CAUTION**

- Cords for this product and those for other products may be different colors even if they have the same function. When connecting this product to another product, refer to the supplied Installation manuals of both products and connect cords that have the same function.

Names and Functions of Connection Terminals

■ Hide-away Unit



① **VIDEO1 RCA video input (yellow)**
Receives video, as from a VCR, DVD or other AV equipment.

② **VIDEO1 RCA audio input (white, red)**
Receives stereo audio, as from a VCR, DVD or other AV equipment.

③ **VIDEO2 RCA video input (yellow)**
Receives video, as from a VCR, DVD or other AV equipment.

④ **VIDEO2 RCA audio input (white, red)**
Receives stereo audio, as from a VCR, DVD or other AV equipment.

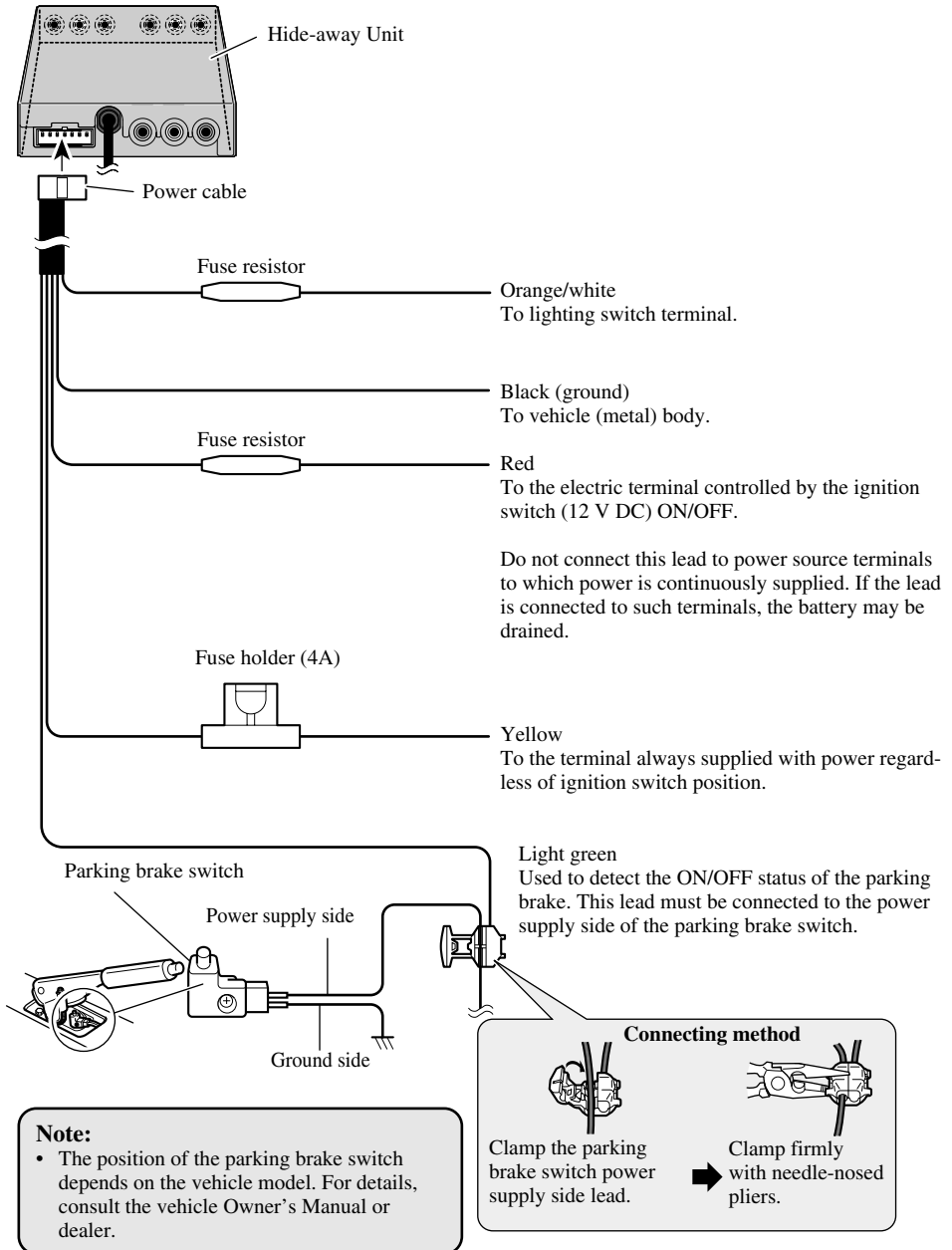
⑤ **Power Supply**
Receives the power cable supplied.

⑥ **Display output (white)**
Connects to the display unit.

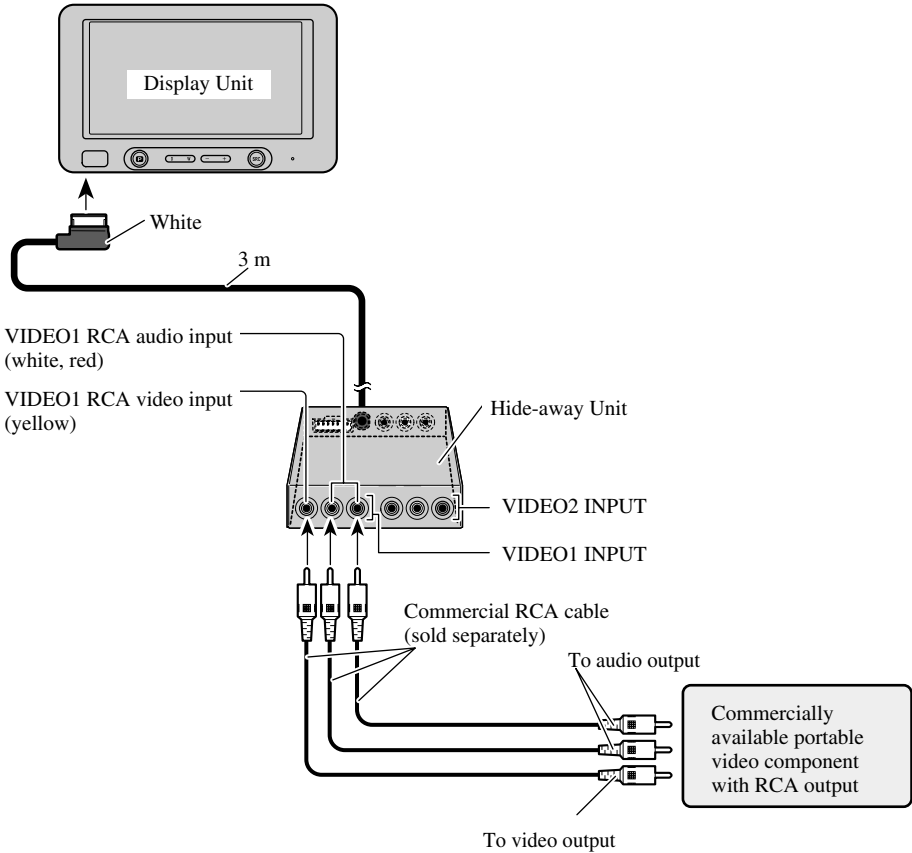
⑦ **RCA video output (yellow)**
Connects to other AV equipment. Video selected with this display is directed to this terminal.

⑧ **RCA audio output (white, red)**
Connects to other AV equipment. Audio selected with this display is directed to these terminals.

Connecting the Power Cable



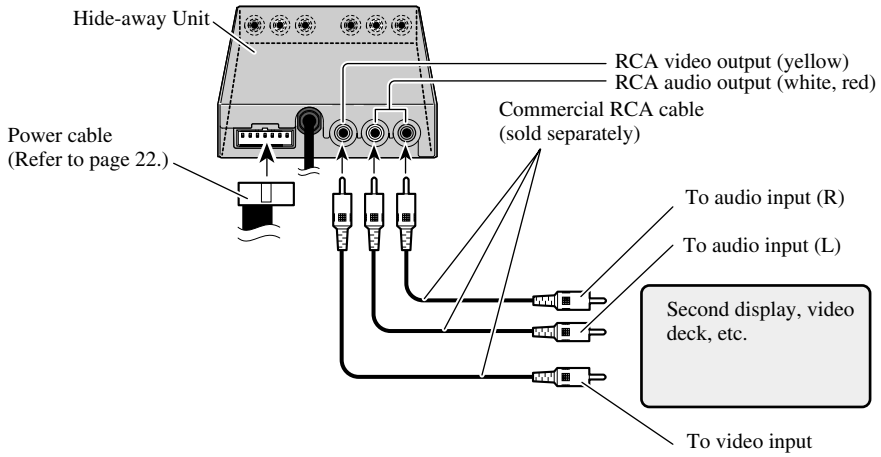
Connection Diagram (VIDEO input)



Note:

- This system has display mounting location [LOCATION] settings [FRONT/REAR]. Be sure to complete these setting after the system has been installed. (Refer to page 16.)

Connecting the RCA Audio and Video Output





CAUTION

- For instructions on how to mount the display, consult your dealer.
- Do not install the display where it may (i) obstruct the driver's vision, (ii) impair the performance of any of the vehicle's operating systems or safety features, including airbags, or (iii) impair the driver's ability to safely operate the vehicle.
- PIONEER does not recommend that you install or service your display yourself. Installing or servicing the product may expose you to risk of electric shock or other hazards. Refer all installation and servicing of your display to authorized PIONEER service personnel.
- Install the display between the driver's seat and front passenger seat so that it will not be hit by the driver or passenger if the vehicle brakes sharply.
- Do not install the display in a position where the fully opened air bag will be obstructed by it.
- Do not install the display in a place where it will impair the performance of any of the vehicle's operating systems, including airbags and headrests.
- Make sure there is nothing behind the panels when drilling holes in them. Be careful not to damage fuel lines, brake lines or power cables.
- When using screws, do not allow them to come into contact with any electrical lead. Vibration may damage wires, leading to a short circuit or other damage to the vehicle.
- It is extremely dangerous to allow the display lead to become wound around the steering column or shift lever. Be sure to install the display in such a way that it will not obstruct driving.
- Make sure that leads cannot get caught in a door or the sliding mechanism of a seat, resulting in a short circuit.

- If this product is installed in a place where it is visible to the vehicle's driver, you **MUST** always set the [LOCATION] to the [FRONT] setting. Failure to do so could result in distracting images being potentially visible to the driver while the vehicle is in motion.

If this product is installed in a place where it is not visible to the vehicle's driver, then you may choose the [REAR] location setting.

Use of this product is subject to any government laws regarding placement or use.

PIONEER does not accept any liability for any problems, damage or loss incurred as a result of the product being used with an incorrect setting or in violation of any government laws.

- To ensure proper installation, use the supplied parts in the manner specified. If any parts other than the supplied ones are used, they may damage internal parts of the unit or they may work loose and the unit may come off.

When the Display is Installed in the Front

- To ensure safe driving, be sure to install the display in a position that meets the following conditions.
 - * Where it does not obstruct the driver's vision and impede the safe operation of the vehicle.
 - * Where the front of the car is within the driver's field of vision when looking at the display.
 - * Where the display does not protrude above the front of the hood as viewed by the driver.

Before Installing and Fixing

- Make temporary connections first to check that the unit and system are working properly.
- Press the RESET button with the tip of a ball-point pen or similar object, when a connection is completed.

Before Affixing the Adhesive Tape

- Make sure the surface is free of moisture, dust, grime, oil, etc. before affixing the tape.

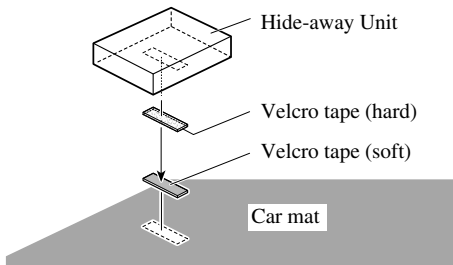
Installing the Hide-away Unit

Installation Precautions

- Never install in locations such as the following because of the danger of malfunction due to high temperatures or humidity:
 - * Locations such as a dashboard or rear tray where there is exposure to direct sunlight.
 - * Near heater outlets.
 - * Near doors, etc., where there is danger of exposure to rain.
- When installing under the front seat, make sure there is no hindrance to sliding of the seat.
- Direct installation on the carpet is possible if the hard Velcro tape will adhere to the carpet. Do not use the soft Velcro tape in this case.

Hide-away Unit Installation

Adhere the hard Velcro tape (supplied) to the bottom of the hide-away unit and adhere the soft Velcro tape (supplied) to the installation location.



General

Power source	14.4 V DC (10.8 — 15.1 V allowed)
Grounding system	Negative type
Max. current consumption	2.0 A

Display Unit

Screen size/Aspect ratio	6.5 inch wide/16:9 (effective display area: 143.75 × 76 mm)
Pixels	336,960 (234 × 1,440)
Type	TFT active matrix, transmissive type
Color system	NTSC/PAL compatible
Operating temperature range	-10 — +50 °C
Storage temperature range	-20 — +80 °C
Built-in Speaker	ø 36 mm
Dimensions	188 (W) × 114 (H) × 32 (D) mm
Weight	430 g

Hide-away Unit

External video input level	1 V _{p-p} /75 Ω
External audio input level	1 V/22 kΩ
Max. output impedance	1 V _{p-p} /75 Ω
External audio max. output level	1 V/1 kΩ
Dimensions	104 (W) × 85 (H) × 26 (D) mm
Weight	570 g

Note:

- The specifications and design are subject to change without prior notice. Products purchased may differ in details from illustrations in this manual.



PIONEER CORPORATION

4-1, MEGURO 1-CHOME, MEGURO-KU, TOKYO 153-8654, JAPAN

PIONEER ELECTRONICS (USA) INC.

P.O. Box 1540, Long Beach, California 90801-1540, U.S.A.

TEL: (800) 421-1404

PIONEER EUROPE NV

Haven 1087, Keetberglaan 1, B-9120 Melsele, Belgium

TEL: (0) 3/570.05.11

PIONEER ELECTRONICS ASIACENTRE PTE. LTD.

253 Alexandra Road, #04-01, Singapore 159936

TEL: 65-6472-1111

PIONEER ELECTRONICS AUSTRALIA PTY. LTD.

178-184 Boundary Road, Braeside, Victoria 3195, Australia

TEL: (03) 9586-6300

PIONEER ELECTRONICS OF CANADA, INC.

300 Allstate Parkway, Markham, Ontario L3R 0P2, Canada

TEL: (905) 479-4411

PIONEER ELECTRONICS DE MEXICO, S.A. de C.V.

Bldv.Manuel Avila Camacho 138 10 piso

Col.Lomas de Chapultepec, Mexico, D.F. 11000

TEL: 55-9178-4270

先鋒股份有限公司

總公司: 台北市中山北路二段44號13樓

電話: (02) 2521-3588

先鋒電子(中國)有限公司

香港辦事處: 香港銅鑼灣告士打道280號世界貿易中心

17樓1704-06室

電話: (0852) 2848-6488

Published by Pioneer Corporation.

Copyright © 2003 by Pioneer Corporation.

All rights reserved.

Publication de Pioneer Corporation.

Copyright © 2003 Pioneer Corporation.

Tous droits de reproduction et de traduction réservés.