

NOTE: Rack mount kit TRK-0841C used for mounting 8.4" LCD monitor (Model: TLM-0841C) onto 19" standard rack. Two monitors can be mounted lineup and tilted for desirable viewing.

Check the components in the package:

- A. Side Flange Component, (x2)
- B. Back Bar, (x1)
- C. Power supply housing (x2)
- D. Screw, flat head, Philips, M3x6 (x8)
- E. Screw, pan head, Philips, M3x6 (x8)
- F. Screw, square head, 5/16"x3/4", (x2)
- G. Look Nut, 5/16", nylon-insert (x2)
- H. ABS washer, Ø41xØ8x3.4mm, (x2)

Installation Instruction:

1. Separate Support Leg component from monitor TLM-8041C, see Fig.2
2. Put two monitors (without Legs) face down on a flat, safe surface, side by side, see Fig.3
3. Assemble Side Flange with Back Bar, on both sides. tightening the screw set F-G to a mild torque, see Fig.4
4. Assemble Back Bar with two monitors, use M3 pan head screw "E", 8 pieces, see Fig.5
5. Assemble two Power Adapter Housings on Back bar, use M3 flat head screw "D", 8 pieces, see Fig.6
6. Put Power Adapter into Housing, note the direction, see Fig.7 and FIG. 8.
7. Use any plastic tie to fix Power Adapter with Housing, so Power Adapter wouldn't drop out.
8. Mount whole assembly onto 19" standard rack, (refer to rack mounting instruction provided by selected rack vendor). See FIG. 9.
9. Adjust the torque of the screw set F and G in the back of monitor (refer to FIG.4) will allow variable tilt angles.

FIG.1

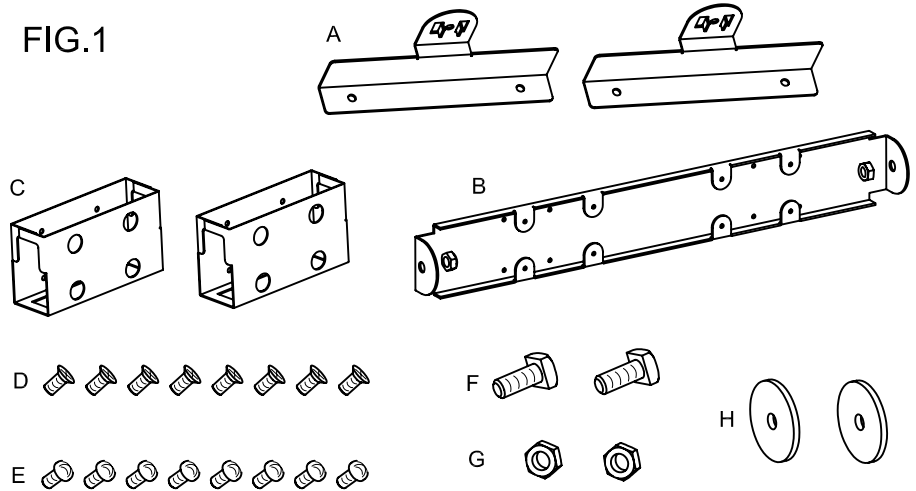


FIG. 2

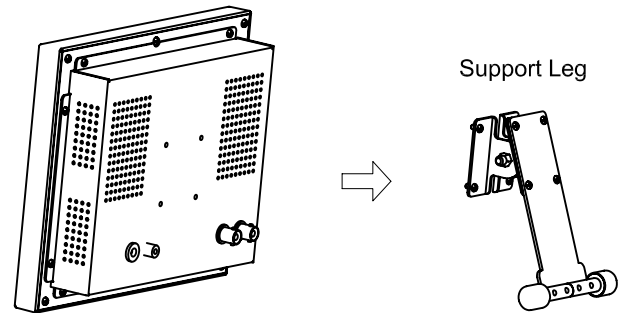


FIG. 3

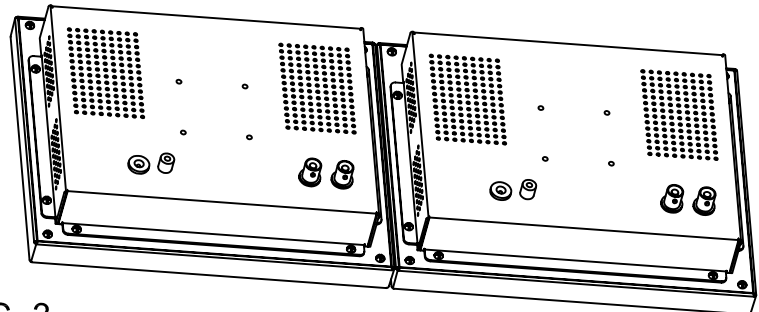
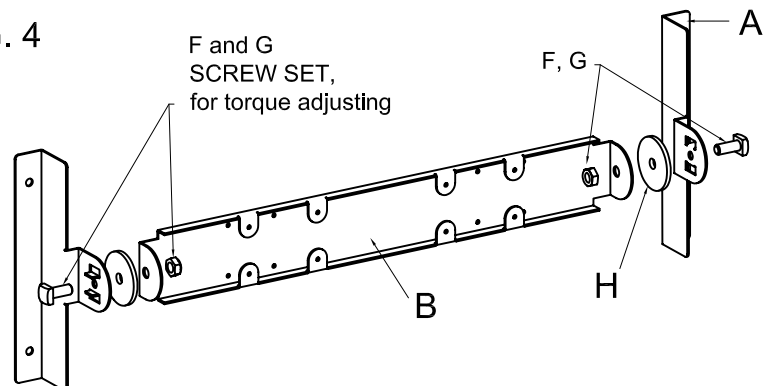


FIG. 4



E (pan head screw M3)

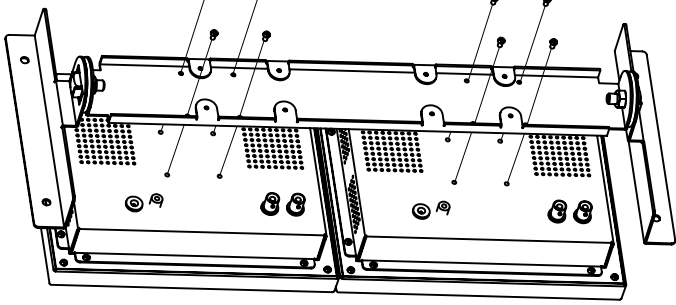


FIG. 5

D (flat head screw M3)

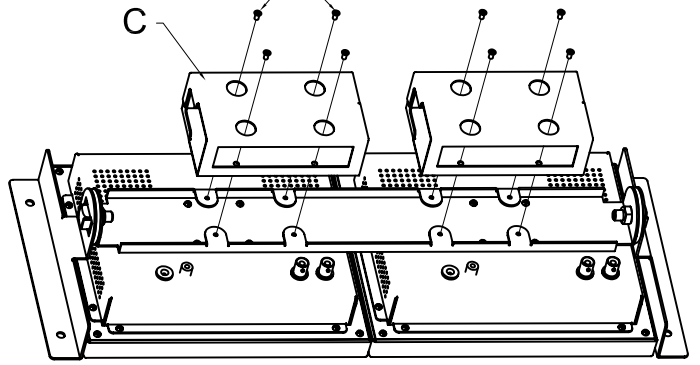


FIG. 6

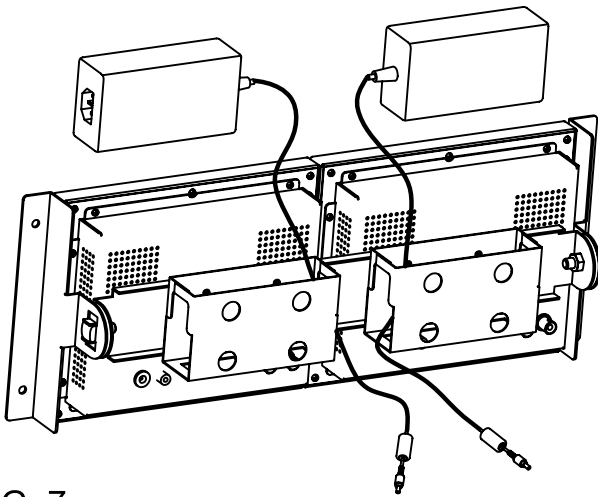


FIG. 7

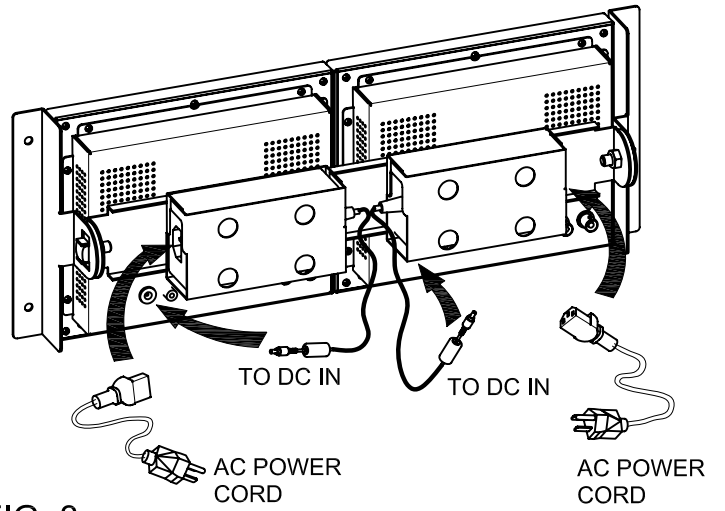


FIG. 8

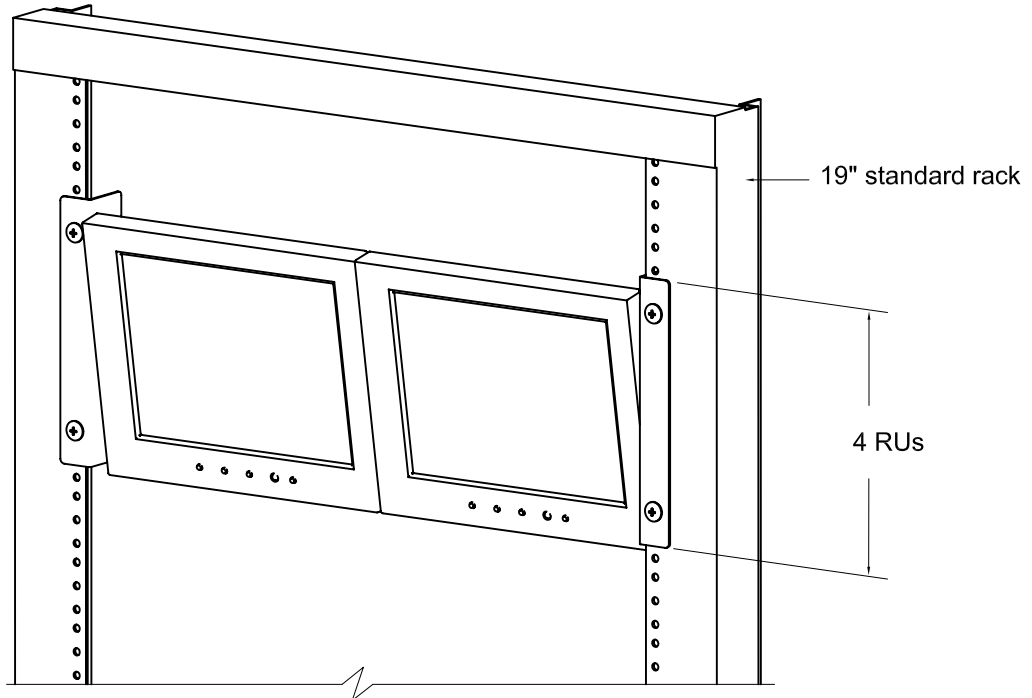


FIG. 9