

## Safety Precautions

1. Read these instructions.
2. Keep these instructions
3. Heed all warnings.
4. Follow all instructions.
5. Do not use this apparatus near water.
6. Clean only with dry cloth.
7. Do not block any ventilation openings. Install in accordance with the manufacturer's instructions.
8. Do not install near any heat sources such as radiators, heat registers, stoves, or other apparatus (including amplifiers) that produce heat.
9. Do not defeat the safety purpose of the polarized or grounding plug. A polarized plug has two blades with one wider than the other. A grounding plug has two blades and a third grounding prong. The wide blade or the third prong is provided for your safety. If the provided plug does not fit into your outlet, consult an electrician for replacement of the obsolete outlet.
10. Protect the power cord from being walked on or pinched, particularly at plugs, convenience receptacles, and the point where it exits from the apparatus.
11. Use only attachments or accessories specified by the manufacturer.
12. Use only with the cart, stand, tripod, bracket, or table specified by the manufacturer or sold with the apparatus. When a cart is used, use caution when moving the cart-apparatus combination to avoid injury from tip-over.
13. Unplug this apparatus during lightning storms or when unused for long periods of time.
14. Refer all servicing to qualified service personnel. Servicing is required when the apparatus has been damaged in any way, such as the power supply cord or plug is damaged, liquid has been spilled or objects have fallen into the apparatus, or the apparatus has been exposed to rain or moisture, does not operate normally, or has been dropped.

If you have any questions, call Russound at 800.638.8055 or 603.659.5170.



## Specifications

Device type: Single-gang in-wall Decora®-style  
Input connector: 110 punch-down block  
System cable: CAT-5e  
Maximum cable length: 300 ft (90 m)  
Output connectors: (3) RCA jacks for component video  
Video resolution: Up to 1080p  
Dimensions: 1.75" W x 4.17" H x 1.31" D  
(4.4 x 10.6 x 3.3 cm)  
Weight: 2.2 oz (61.3 g)

## Warranty

The Russound VMR1 is fully guaranteed against all defects in materials and workmanship for two (2) years from the date of purchase. During this period, Russound will replace any defective parts and correct any defect in workmanship without charge for either parts or labor. For this warranty to apply, the unit must be installed and used according to its written instructions. If service is necessary, it must be performed by Russound. The unit must be returned to Russound at the owner's expense and with prior written permission. Accidental damage and shipping damage are not considered defects, nor is damage resulting from abuse or from servicing by an agency or person not specifically authorized in writing by Russound.

This warranty does not cover: damage caused by abuse, accident, misuse, negligence, or improper installation or operation; power surges and lightning strikes; normal wear and maintenance; products that have been altered or modified; any product whose identifying number, decal, serial number, etc. has been altered, defaced or removed.

Russound sells products only through authorized dealers and distributors to ensure that customers obtain proper support and service. Any Russound product purchased from an unauthorized dealer or other source, including retailers, mail order sellers and online sellers will not be honored or serviced under existing Russound warranty policy. Any sale of products by an unauthorized source or other manner not authorized by Russound shall void the warranty on the applicable product.

Damage to or destruction of components due to application of excessive power voids the warranty on those parts. In these cases, repairs will be made on the basis of the retail value of the parts and labor. To return for repairs, the unit must be shipped to Russound at the owner's expense, along with a note explaining the nature of service required. Be sure to pack the unit in a corrugated container with at least three (3) inches of resilient material to protect the unit from damage in transit.

Before returning a unit for repair, call Russound at 603.659.5170 for a return authorization number. Write this number on the shipping label and ship to: Russound, 5 Forbes Road, Newmarket, NH 03857.



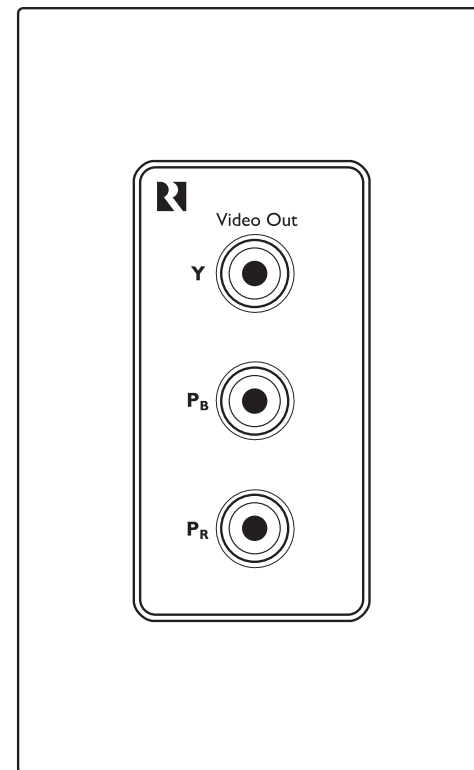
5 Forbes Road, Newmarket NH 03857 USA  
Tel 603.659.5170 • Fax 603.659.5388  
www.russound.com

Copyright © 2007 Russound. All rights reserved. All trademarks are the property of their respective owners. Specifications are subject to change without notice. Russound is not responsible for typographical errors or omissions.  
28-1238 03/08/07

# VMR1

## Video Matrix Receiver

### Instruction Manual



## Overview

The VMR1 Receiver is an in-wall device for use with the VM1 Video Matrix to provide connections for video displays in rooms where component video distribution is desired. It receives distributed video signals from the Video Matrix through a single CAT-5e cable.

The receiver provides an analog component video signal from any source connected to the Video Matrix. Red, green, and blue RCA jacks in a single-gang Decora®-style wall plate connect to the display with an RGB video cable.

The VMR1 is capable of high-definition video resolution up to 1080p.

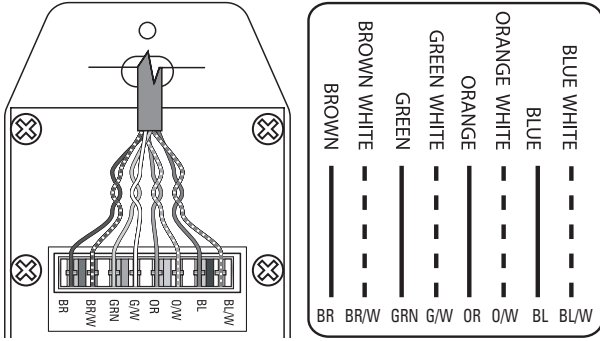
## Installation

1. Run CAT-5e cable up to 300 feet (90 m) between the VM1 and the video display locations in the zones.

**Note:** When running CAT-5e cables, avoid AC power wiring. If you have to run the cables parallel to electrical wiring, space the cable at least 12 inches (30 cm) from AC power lines.

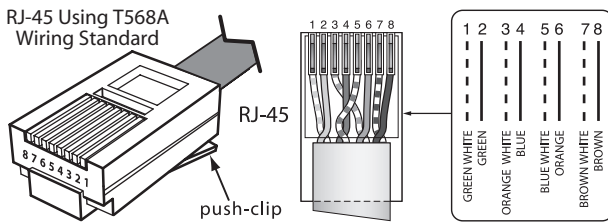
2. Install single-gang UL/CSA-approved plastic wall boxes for the VMR1 receivers. Attach the boxes to the wall with appropriate fasteners.

3. In each zone, punch down the CAT-5e cable on the back of the VMR1 as indicated on the circuit board.

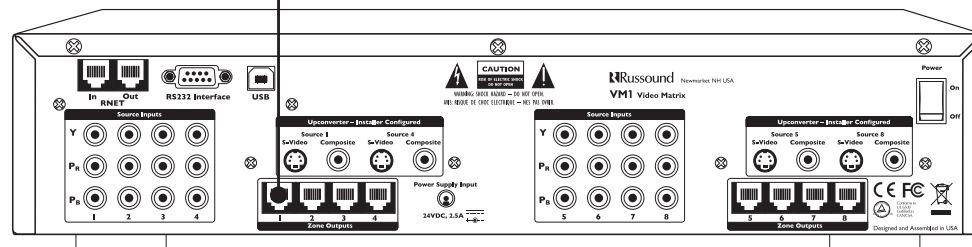
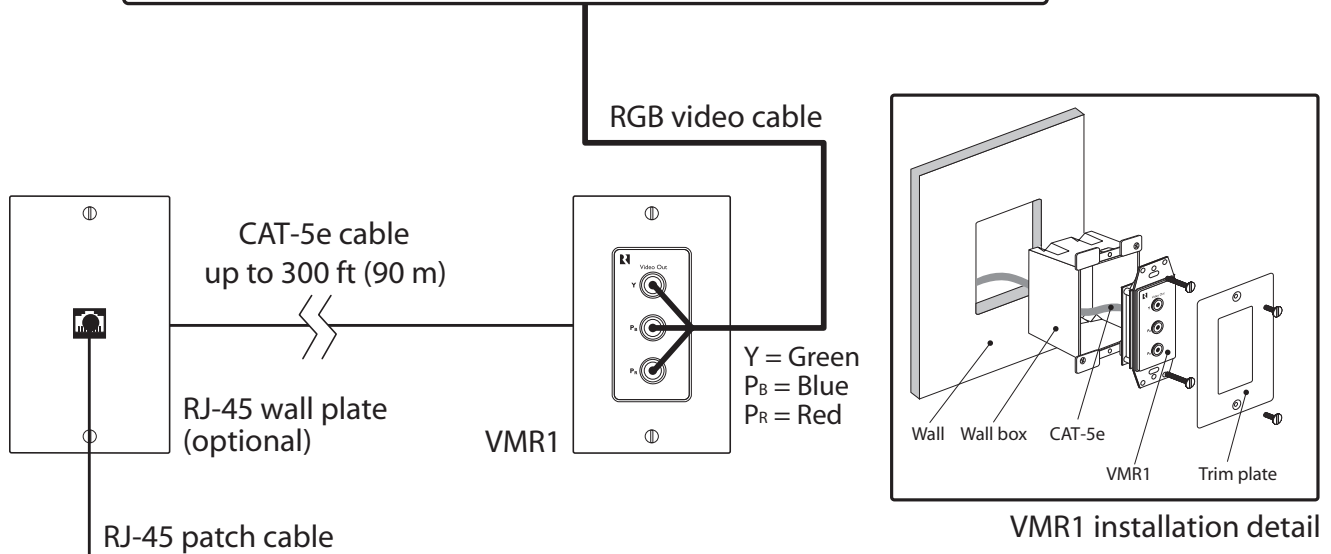
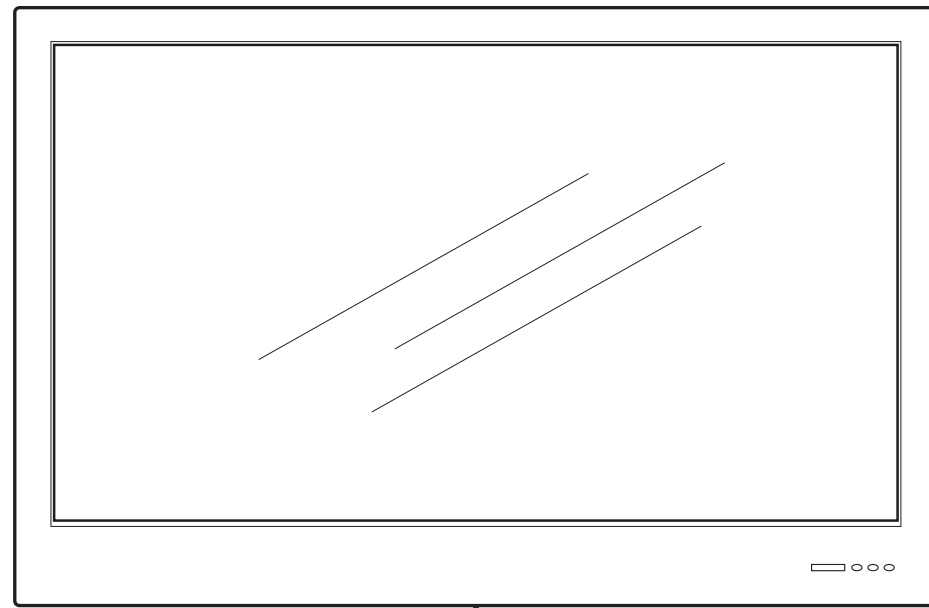


110 punch-down connection on rear of VMR1

4. Insert the VMR1 into the wall box and secure it with screws. Attach a wall plate.
5. Crimp RJ-45 connectors on the system end of the CAT-5e cables, following the T568A standard as shown.



6. Make sure the VM1 Video Matrix is turned off. Plug the RJ-45 connectors into the appropriate zone outputs on the VM1. (If using wall plates, punch down the CAT-5e per the T568A standard and use straight-through patch cables between the VM1 and the wall plates.)



VM1 Video Matrix

Typical connection of the VMR1 for one zone