



MODEL G2904

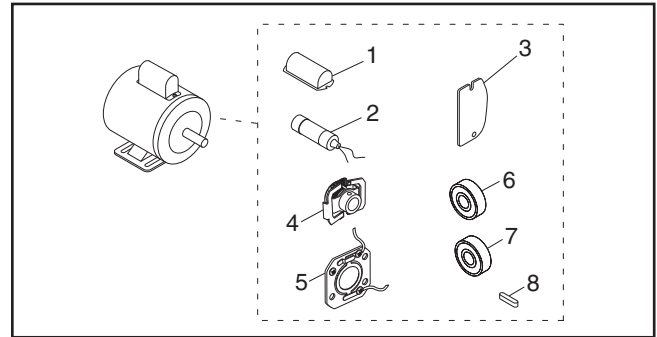
3/4 HP ELECTRIC MOTOR

INSTRUCTION SHEET

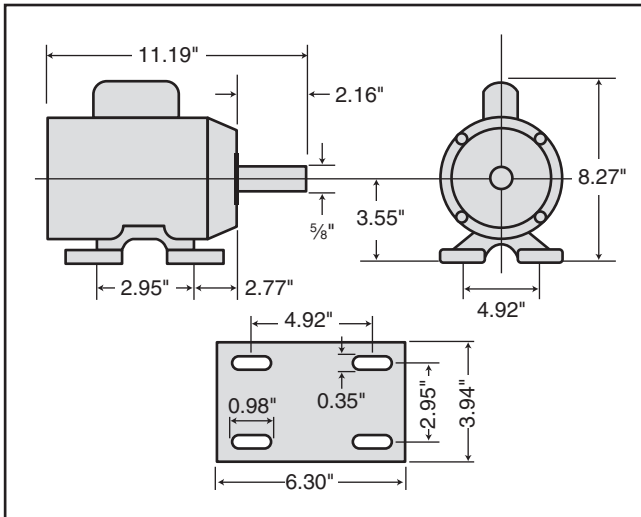
Model G2904 Specifications

Power 3/4 HP
 Cycle..... 60Hz
 Voltage 110V/220V
 Prewired 110V
 Amps 9.6A/4.8A
 RPM..... 3450
 Phase Single
 Class..... E
 Start Capacitor 200MFD 125VAC
 Dimensions..... 1 3/8"D x 2 3/8"L

Replaceable Parts




REF	PART #	DESCRIPTION
1	P2904001	S CAPACITOR COVER
2	PC200I	S CAPACITOR 200M 125V 1-3/8 X 2-3/8
3	P2904003	WIRING COVER PLATE
4	PCS007	CENTRIFUGAL SWITCH 1/2-3450
5	PCP001	CONTACT PLATE
6	P6202ZZ	BALL BEARING 6202ZZ
7	P6203ZZ	BALL BEARING 6203ZZ
8	PK15	KEY 3/16 X 3/16 X 1-1/4

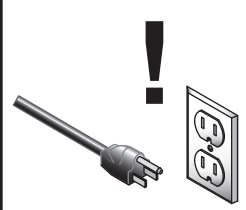


Making Wire Connections

If you are unsure how to attach wires to terminals, DO NOT continue. Contact an electrician for assistance. Connecting wires improperly may cause them to come loose or contact other wires, which can cause electrocution, fire, or a short.



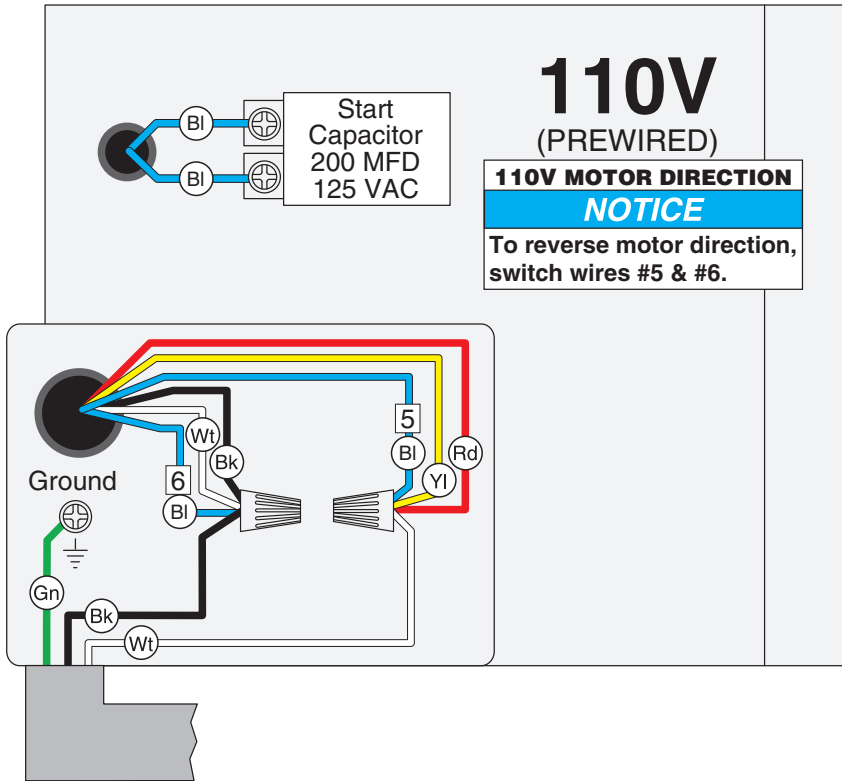
! WARNING
 Electrocution or fire could result if this motor is not grounded correctly or if your wire connections do not comply with local and state codes. Ensure compliance by checking with a qualified electrician!









! WARNING
 Disconnect power when replacing motor. Failure to do this may result in serious personal injury.

G2904 Wiring Diagram

 View this page in color at www.grizzly.com.

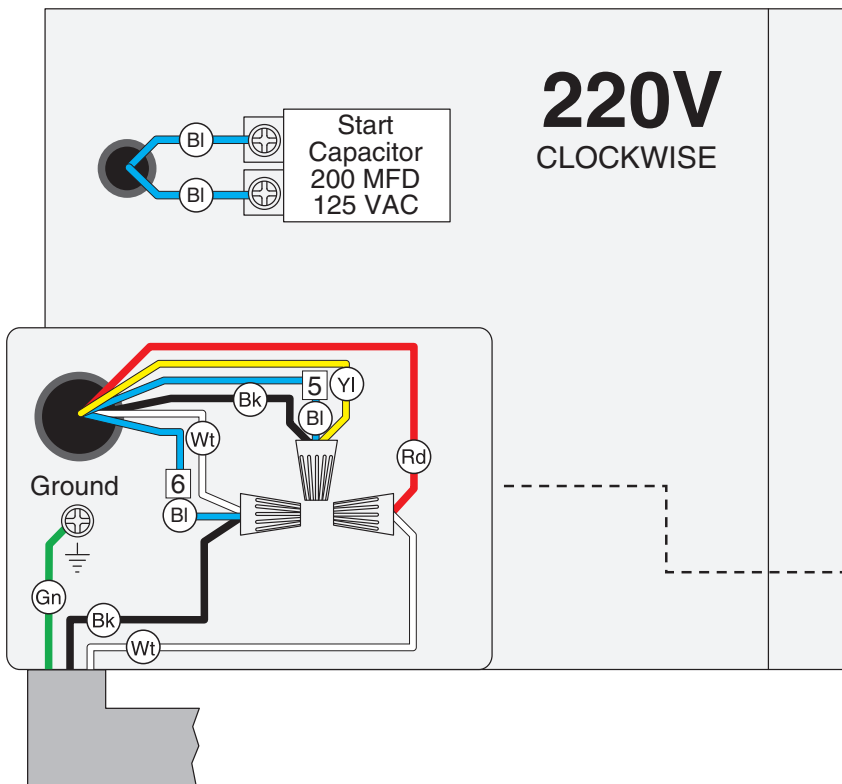


COLOR KEY

BLACK	 Bk
WHITE	 Wt
GREEN	 Gn
RED	 Rd
YELLOW	 Yl
BLUE	 Bl

⚠ WARNING!
SHOCK HAZARD!
Disconnect power
before working on
wiring.





NOTICE

The motor wiring shown here is current at the time of printing, but it may not match your machine. Always use the wiring diagram inside the motor junction box.

