



mellerware®

Tweety

HAIRSTRAIGHTENER



complies with
INTERNATIONAL
IEC60335
SAFETY SPECIFICATIONS

m
30W

CE
2 YEAR
GUARANTEE

Model:
WB20310

PLEASE READ ALL INSTRUCTIONS BEFORE USE

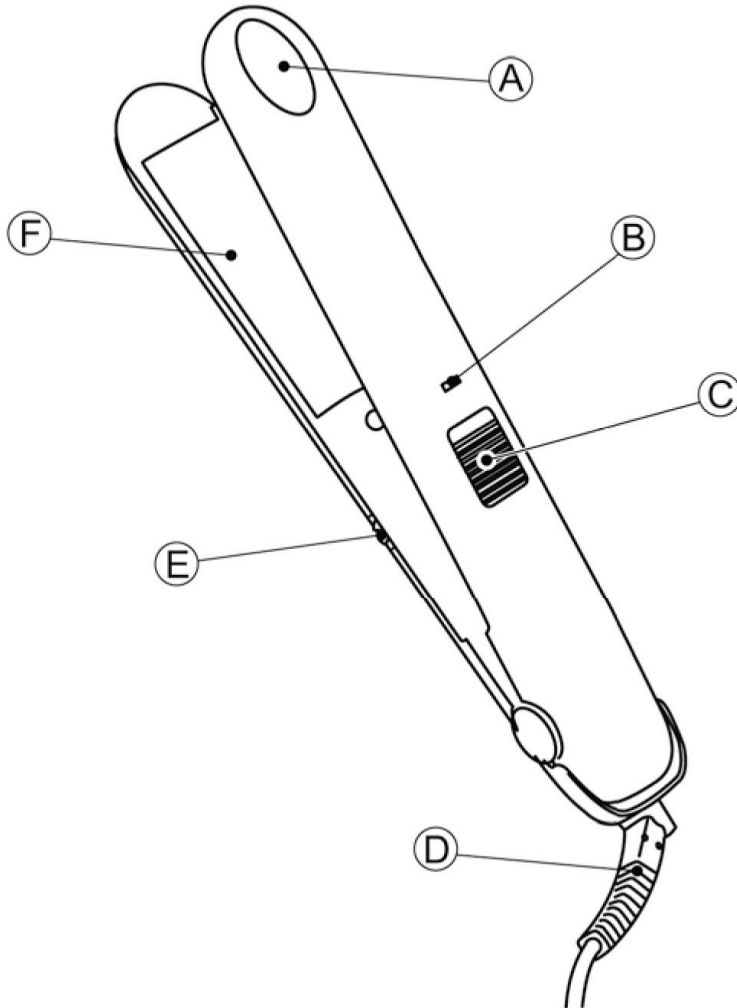
2 year guarantee





Dear customer,

Many thanks for purchasing a MELLERWARE product. Thanks to its technology, design and operation and the fact that it goes through strict quality controls - we feel sure you will be entirely satisfied.



Description

- A Heat-insulating tip
- B On pilot light
- C Start/stop switch
- D 360° rotating cable
- E Temperature control
- F Ceramic plates





Safety advice and cautions

-Read these instructions carefully before switching on the appliance and keep them for future consultation.

-This appliance is only for domestic use, not industrial use.

-Do not leave the appliance connected and unattended when not in use.

Moreover, this will allow saving energy and extending the life of the appliance.

-Do not leave the appliance within the reach of children or disabled individuals.

-Before connecting the appliance to the mains, check that the voltage indicated on the nameplate coincides with the mains voltage.

-Do not use the appliance near the shower, bath or other containers holding water.

-Before picking up the appliance after falling into water disconnect it immediately.

-Do not use the appliance on wet hair,

-Do not use the appliance if the cable or plug are damaged, or if not functioning correctly.

-Keep the cable away from hot surfaces.

-Do not stretch, bend or warp the cable round the appliance.

-Do not throw or insert anything into any of the appliance's cavities.

-Do not leave the appliance switched on top of any surface.

-Do not use the appliance where aerosols are in use.

-Do not position the hot parts of the appliance on heat-sensitive surfaces.

-The appliance heats when in operation. Do not bring the hot parts into contact with the skin to avoid burns.

-Never leave the appliance connected to the socket.

-Never put the appliance away when it is still hot or connected.

-No liability is accepted for damage caused through inappropriate handling or use other than that stipulated in this manual.

-Never wrap the cable around the appliance when it is still hot.

Instructions for use

-Connect the appliance to a socket. This is a multivoltage appliance, it can therefore be used in any part of the world (from 110V to 230V).

-Operate the start/stop switch.

-Select the desired temperature using the temperature control (110°C min - 200°C max).

-The pilot light will come on indicating that the appliance is heating up.

The hair straightener has a built-in ceramic PTC system to keep the temperature of the ceramic plates constant.

-In order to straighten the hair perfectly, take a strand which is not too thick.

-Starting at the root, place it between the plates in a perpendicular position and gently pull downwards until reaching the ends of the strand. If necessary repeat this action various times.

-Apply the same technique to the rest of the hair.

-When finished, disconnect the appliance by putting the switch in the stop position and unplug it from the socket.

Cleaning

-Disconnect the appliance from the mains and leave to cool before proceeding to clean.

-Clean the appliance with a damp cloth and dry afterwards.

-Never submerge the appliance in water or any other liquid or put it under running water.

-Do not use solvents or abrasive products for cleaning.

Problems and Solutions

Should the mains connection fail, do not try to replace it since this is potentially dangerous. Take the appliance to an authorised Technical Support Service. The same applies to any other type of problem.

This appliance complies with the Low Voltage Directive 73/23/EEC and with Electromagnetic Compatibility Directive 89/336 EEC.





creative housewares

27 Nourse Avenue Epping 2 Cape Town
PO. Box 975 Eppindust 7475 South Africa
Tel: +27 21 534 8114 Fax: +27 21 534 8086
Service Centre Share Call: 086 111 5006
web: www.creativehousewares.co.za

