

PLASMA CUTTER USER'S GUIDE GUIDE DE L'UTILISATEUR



Form 00-99-000377/1003

98026051, 98026052, 98026069, 98026070

© 2003

SAFETY INFORMATION

The following safety information is provided as a guideline to help you operate your new cutter under the safest possible conditions. Any equipment that uses electrical power can be potentially dangerous to use when safety or safe handling instructions are not known or not followed. The following safety information is provided to give you the information necessary for safe use and operation.

When a **WARNING** precedes a procedure step, it is an indication that the step contains a procedure that might be injurious to a person if proper safety precautions are not heeded. When a procedure step is preceded by a **CAUTION**, it is an indication that the step contains a procedure that might damage the equipment being used. A **NOTE** may be used before or after a procedure step to highlight or explain something in that step.

READ ALL SAFETY INSTRUCTIONS CAREFULLY before attempting to install, operate, or service this cutter. Failure to comply with these instructions could result in personal injury and/or property damage.

Published standards on safety are available. They are listed in **ADDITIONAL SAFETY INFORMATION** at the end of this **SAFETY SUMMARY**. The National Electrical Code, Occupational Safety and Health Act regulations, local industrial codes and local inspection requirements also provide a basis for equipment installation, use, and service.

SHOCK HAZARDS

WARNING



Electric shock can kill! To reduce the risk of death or serious injury from shock, read, understand, and follow the following safety instructions. In addition, make certain that anyone else who uses this welding equipment, or who is a bystander in the cutting area understands and follows these safety instructions as well.

IMPORTANT! TO REDUCE THE RISK OF DEATH, INJURY, OR PROPERTY DAMAGE, DO NOT ATTEMPT OPERATION of this cutting equipment until you have read and understand the following safety summary.

- Do not, in any way, come into physical contact with any part of the plasma cutter electrical circuit, including the work piece or any conductive material in contact with it, the ground clamp, or any metal parts on the torch.
- Do not cut in a damp area or come in contact with a moist or wet surface.
- Do not attempt to cut if any part of clothing or body is wet.
- Do not allow the cutting equipment to come in contact with water or moisture.
- Do not drag cables, plasma torch, or power cord through or allow them to come into contact with water or moisture.
- Do not touch cutter, attempt to turn cutter on or off if any part of the body or clothing is moist or if you are in physical contact with water or moisture.
- Do not attempt to plug the cutter into the power source if any part of body or clothing is moist, or if you are in physical contact with water or moisture.
- Do not connect cutter ground clamp to or cut on electrical conduit.
- Do not alter power cord or power cord plug in any way.
- Do not attempt to plug the cutter into the power source if the ground prong on power cord plug is bent over, broken off, or missing.
- Do not allow the cutter to be connected to the power source or attempt to cut if the cutter, cables, cutting site, or power cord are exposed to any form of atmospheric precipitation, or salt water spray.
- Do not carry coiled cables around shoulders, or any other part of the body, when they are plugged into the cutter.

- Do not modify any wiring, ground connections, switches, or fuses in this cutting equipment.
- Wear welding gloves to help insulate hands from welding circuit.
- Keep all liquid containers far enough away from the cutter and work area so that if spilled, the liquid can not possibly come in contact with any part of the cutter or electrical welding circuit.
- Replace any cracked or damaged parts that are insulated or act as insulators such as cables, power cord, or torch IMMEDIATELY.

EMF INFORMATION WARNING

Cutting current will cause electromagnetic fields as it flows through cables and internal wiring. There has been and continues to be some concern and research about such fields. Until the final conclusions of the research are reached, you may wish to minimize your exposure to electromagnetic fields when welding or cutting.

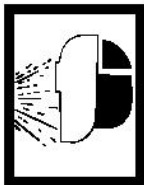
To reduce magnetic fields in the workplace:

- Keep cables close together by twisting or taping them.
- Arrange cables to one side and away from you.
- Do not coil or drape cables around your body.
- Keep cutting power source and cables as far away from you as practical.
- Connect work clamp to workpiece as close to the cut as possible.

About Pacemakers:

Pacemaker wearers consult your doctor first. If cleared by your doctor, then following the above procedures is recommended.

FLASH HAZARDS WARNING



ARC RAYS CAN INJURE EYES AND BURN SKIN! To reduce risk of injury from arc rays, read, understand, and follow the following safety instructions. In addition, make certain that anyone else that uses this cutting equipment, or is a bystander in the cutting area, understands and follows these safety instructions as well.

- Do not look at an electric arc without proper protection. A cutting arc is extremely bright and intense and, with inadequate or no eye protection, the retina can be burned, leaving a permanent dark spot in the field of vision. A shield or helmet with a number 8-shade filter lens (minimum) must be used.
- Do not strike a cutting arc until all bystanders and you (the welder) have welding shields and/or helmets in place.
- Do not wear a cracked or broken helmet and replace any cracked or broken filter lenses IMMEDIATELY.
- Provide bystanders with shields or helmets fitted with a number 8-shade filter lens.
- Wear protective clothing. The intense light of the cutting arc can burn the skin in much the same way as the sun, even through lightweight clothing. Wear dark clothing of heavy material. The shirt worn should be long sleeved and the collar kept buttoned to protect chest and neck.
- Protect against REFLECTED ARC RAYS. Arc rays can be reflected off shiny surfaces such as a glossy painted surface, aluminum, stainless steel, and glass. It is possible for your eyes to be injured by reflected arc rays even when wearing a protective helmet or shield. If cutting with a reflective surface behind you, arc rays can bounce off the surface, then off the filter lens on the inside of your helmet or shield, then into your eyes. If a reflective background exists in your cutting area, either remove it or cover it with something nonflammable and non-reflective. Reflected arc rays can also cause skin burn in addition to eye injury.

FIRE HAZARDS WARNING



FIRE OR EXPLOSION CAN CAUSE DEATH, INJURY, AND PROPERTY DAMAGE! To reduce risk of death, injury, or property damage from fire or explosion, read, understand, and follow the following safety instructions. In addition, make certain that anyone else that uses this cutting equipment, or is a bystander in the cutting area, understands and follows these safety instructions as well. **REMEMBER!** Plasma arc cutting by nature produces sparks, hot spatter, molten metal drops, hot slag, and hot metal parts that can start fires, burn skin, and damage eyes.

- Do not wear gloves or other clothing that contain oil, grease, or other flammable substances.
- Do not wear flammable hair preparations.
- Do not cut in an area until it is checked and cleared of combustible and/or flammable materials. **BE AWARE** that sparks and slag can fly 35 feet and can pass through small cracks and openings. If work and combustibles cannot be separated by a minimum of 35 feet, protect against ignition with suitable, snug-fitting, fire resistant, covers or shields.
- Do not cut on walls until checking for and removing combustibles touching the other side of the walls.
- Do not weld, cut, or perform other such work on used barrels, drums, tanks, or other containers that had contained a flammable or toxic substance. The techniques for removing flammable substances and vapors, to make a used container safe for welding or cutting, are quite complex and require special education and training.
- Do not strike an arc on a compressed gas or air cylinder or other pressure vessel. Doing so will create a brittle area that can result in a violent rupture immediately or at a later time as a result of rough handling.
- Do not weld or cut in an area where the air may contain flammable dust (such as grain dust), gas, or liquid vapors (such as gasoline).
- Do not handle hot metal, such as the workpiece or electrode stubs, with bare hands.
- Wear leather gloves, heavy long sleeve shirt, cuffless trousers, high-topped shoes, helmet, and cap. As necessary, use additional protective clothing such as leather jacket or sleeves, fire resistant leggings, or apron. Hot sparks or metal can lodge in rolled up sleeves, trouser cuffs, or pockets. Sleeves and collars should be kept buttoned and pockets eliminated from the shirtfront.
- Have fire-extinguishing equipment handy for immediate use! A portable chemical fire extinguisher, type ABC, is recommended.
- Wear earplugs when cutting overhead to prevent spatter or slag from falling into ear.
- Make sure cutting area has a good, solid, safe floor, preferably concrete or masonry, not tiled, carpeted, or made of any other flammable material.
- Protect flammable walls, ceilings, and floors with heat resistant covers or shields.
- Check cutting area to make sure it is free of sparks, glowing metal or slag, and flames before leaving the cutting area.

FUME HAZARDS WARNING



FUMES, GASSES, AND VAPORS CAN CAUSE DISCOMFORT, ILLNESS, AND DEATH! To reduce risk of discomfort, illness, or death, read, understand, and follow the following safety instructions. In addition, make certain that anyone else that uses this cutting equipment or is a bystander in the cutting area, understands and follows these safety instructions as well.

- Do not cut in an area until it is checked for adequate ventilation as described

in ANSI standard #Z49.1. If ventilation is not adequate to exchange all fumes and gasses generated during the cutting process with fresh air, do not cut unless you and all bystanders are wearing air-supplied respirators.

- Do not heat or cut metals coated with, or that contain, materials that produce toxic fumes (such as galvanized steel), unless the coating is removed. Make certain the area is well ventilated, and the operator and all bystanders are wearing air-supplied respirators.
- Do not weld, cut, or heat lead, zinc, cadmium, mercury, beryllium, or similar metals without seeking professional advice and inspection of the ventilation of the welding area. These metals produce EXTREMELY TOXIC fumes that can cause discomfort, illness, and death.
- Do not weld or cut in areas that are near chlorinated solvents. Vapors from chlorinated hydrocarbons, such as trichloroethylene and perchloroethylene, can be decomposed by the heat of an electric arc or its ultraviolet radiation. These actions can cause PHOSGENE, a HIGHLY TOXIC gas to form, along with other lung and eye-irritating gasses. Do not weld or cut where these solvent vapors can be drawn into the work area or where the ultraviolet radiation can penetrate to areas containing even very small amounts of these vapors.
- Do not weld or cut in a confined area unless it is being ventilated or the operator (and anyone else in the area) is wearing an air-supplied respirator.
- Stop cutting if you develop momentary eye, nose, or throat irritation as this indicates inadequate ventilation. Stop work and take necessary steps to improve ventilation in the area. Do not resume cutting if physical discomfort persists.

COMPRESSED GASSES AND AIR EQUIPMENT HAZARDS WARNING



IMPROPER HANDLING AND MAINTENANCE OF COMPRESSED GAS AND AIR CYLINDERS AND REGULATORS CAN RESULT IN SERIOUS INJURY OR DEATH! To reduce risk of injury or death from compressed gas or air and equipment hazards, read understand and follow the following safety instructions. In addition, make certain that anyone else who uses this cutting equipment or a bystander in the cutting area understands and follows these safety instructions as well.

- Do not use flammable gasses with plasma cutters. Only compressed air is suitable for plasma cutting.
- Do not attempt to make regulator repairs. Send faulty regulators to manufacturer's designated repair center for repair.
- Do not attempt to lubricate a regulator.
- Always immediately remove a faulty regulator from service, for repair, if any of the following conditions exist: a.) Air leaks externally. b. Delivery pressure continues to rise with down stream valve closed, c.) The gauge pointer does not move off the stop pin when pressurized or fails to return to the stop pin after pressure is released.

HOT SLAG/MOLTEN METAL HAZARDS WARNING



PLASMA ARC CUTTING CAN CAUSE SERIOUS BURNS FROM HOT SLAG OR MOLTEN METAL! To reduce risk of injury from serious burns caused by flying or dripping hot slag or molten metal, read understand and follow the following safety instructions. In addition, make certain that anyone else who uses this cutting equipment or a bystander in the cutting area understands and follows these safety instructions as well.

- Wear leather welding gloves, a heavy long sleeve shirt, cuffless trousers, high topped shoes, a helmet and cap when cutting. As necessary, use additional protective clothing such as leather jacket or sleeves, fire resistant leggings, or apron. Hot slag or molten metal can lodge in rolled up sleeves, or trouser cuffs, and into pockets. Sleeves and collars should be kept buttoned and pockets eliminated from the shirt front.

NOISE HAZARDS WARNING



PLASMA ARC CUTTING NOISE CAN DAMAGE HEARING! To reduce the risk of hearing loss from plasma arc cutting noise, read, understand and follow the following safety instructions. In addition, make certain that anyone else that uses this cutting equipment, or is a bystander in the cutting area, understands and follows these safety instructions as well.

- Wear hearing protection that meets or exceeds OSHA requirements when cutting.

ADDITIONAL SAFETY INFORMATION

For additional information concerning welding safety, refer to the following standards and comply with them as applicable.

- ANSI Standard Z49.1 — SAFETY IN WELDING AND CUTTING — obtainable from the American Welding Society, 550 NW Le Jeune Road, Miami, FL 33126 Telephone (800) 443-9353, Fax (305) 443-7559 - www.amweld.org or www.aws.org
- ANSI Standard Z87.1 — SAFE PRACTICE FOR OCCUPATION AND EDUCATIONAL EYE AND FACE PROTECTION — obtainable from the American National Standards Institute, 11 West 42nd St., New York, NY 10036 Telephone (212) 642-4900, Fax (212) 398-0023 - www.ansi.org
- NFPA Standard 51B — CUTTING AND WELDING PROCESS — obtainable from the National Fire Protection Association, 1 Batterymarch Park, P.O. Box 9101, Quincy, MA 02269-9101 Telephone (617) 770-3000, Fax (617) 770-0700 - www.nfpa.org
- OSHA Standard 29 CFR, Part 1910, Subpart Q., WELDING, CUTTING AND BRAZING — obtainable from your state OSHA office or U. S. Dept. of Labor OSHA, Office of Public Affairs, Room N3647, 200 Constitution Ave. NW Washington, DC 20210 - www.osha.gov
- CSA Standard W117.2 — Code for SAFETY IN WELDING AND CUTTING. — obtainable from Canadian Standards Association, 178 Rexdale Blvd. Etobicoke, Ontario M9W 1R3 - www.csa.ca
- American Welding Society Standard A6.0. WELDING AND CUTTING CONTAINERS WHICH HAVE HELD COMBUSTIBLES. — obtainable from the American Welding Society, 550 NW Le Jeune Road, Miami, FL 33126 Telephone (800) 443-9353, Fax (305) 443-7559 - www.amweld.org or www.aws.org

SOMMAIRE DES CONSIGNES DE SÉCURITÉ

Les consignes de sécurité suivantes vous sont fournies à titre de lignes directrices pour vous aider à utiliser votre nouvelle découpeuse de la manière la plus sûre qui soit. Tous les appareils fonctionnant à l'électricité peuvent être dangereux si la personne qui les utilise ignore ou n'observe pas les consignes de sécurité. Les paragraphes suivants contiennent les informations nécessaires pour utiliser la machine en toute sécurité.

Une étape précédée du terme **AVERTISSEMENT** indique que l'étape en question contient une opération qui risque de blesser quelqu'un si les consignes de sécurité ne sont pas respectées.

Une étape précédée du terme **ATTENTION** indique que l'étape en question contient une opération qui risque d'endommager le matériel utilisé.

Une **REMARQUE** peut être utilisée avant ou après la description d'une étape pour souligner ou expliquer certains aspects de cette étape.

Il existe des publications concernant les normes de sécurité. Ces publications sont énumérées à la fin du Sommaire des consignes de sécurité au sein de la section Consigne de sécurité supplémentaires.

Les règlements émanants d'institution tel que "La réglementation électrique nationale", le code santé et de sécurité au sein des professionnelles, les règlements locaux ainsi que les inspections locales constituent également des bases de référence à l'installation, l'utilisation, et l'entretien de ces équipements.

RISQUES DE CHOCS ÉLECTRIQUES AVERTISSEMENT



LES CHOCS ÉLECTRIQUES PEUVENT ÊTRE MORTELS! Afin de réduire les risques de blessures graves, voire mortelles résultant de chocs électriques, lisez attentivement les consignes de sécurité suivantes pour bien les comprendre et observez-les. De plus, assurez-vous que toute autre personne susceptible d'utiliser cette machine ou de se tenir dans l'aire de découpe comprend et observe également ces consignes de sécurité.

- La découpeuse au plasma doit être raccordée à une source d'alimentation de manière conforme aux codes de l'électricité en vigueur.
- Ne soyez jamais en contact avec les pièces du circuit électrique de la découpeuse au plasma, qu'il s'agisse de la pièce à découper ou de tout autre matériau conducteur en contact avec elle, de la pince de masse ou toute autre partie métallique du chalumeau.
- Évitez que la découpeuse n'entre en contact avec de l'eau ou de l'humidité.
- Ne traînez pas le chalumeau coupeur, le câble de masse ou le cordon d'alimentation de la découpeuse sur un sol mouillé ou humide et évitez-leur tout contact avec de l'eau ou de l'humidité.
- Ne touchez pas la découpeuse, n'essayez pas de l'éteindre ou de l'allumer si une partie quelconque de votre corps ou de vos vêtements est mouillée ou humide, ou si vous êtes en contact avec de l'eau ou de l'humidité.
- N'essayez pas de brancher la découpeuse dans une source d'alimentation si une partie quelconque de votre corps ou de vos vêtements est mouillée ou humide, ou si vous êtes en contact avec de l'eau ou de l'humidité.
- Ne branchez pas la pince de masse de la découpeuse à un conduit électrique et ne découpez pas ce type de conduit.
- Ne modifiez en aucune manière le câble d'alimentation secteur ou sa fiche.
- N'essayez pas de brancher la découpeuse dans une prise d'alimentation si la broche de mise à la terre de la fiche du cordon d'alimentation est tordue, cassée ou manquante.
- Ne laissez pas la découpeuse branchée à la source d'alimentation et n'essayez pas de découper si la machine, le câble de masse, l'aire de découpe ou le cordon d'alimentation sont exposés à une forme de précipitation atmosphérique ou à des embruns d'eau salée.

INFORMATION SUR LES CHAMPS ÉLECTROMAGNÉTIQUES AVERTISSEMENT

Le courant de soudage, pendant son passage dans les câbles de soudage, causera des champs électromagnétiques. Il y a eu et il y a encore un certain souci à propos de tels champs. En attendant que les conclusions finales de la recherche soient établies, il vous serait souhaitable de réduire votre exposition aux champs électromagnétiques pendant le soudage ou le coupage.

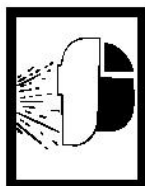
Afin de réduire les champs électromagnétiques dans l'environnement de travail, respecter les consignes suivantes :

- Garder les câbles ensemble en les torsadant ou en les attachant avec du ruban adhésif.
- Mettre tous les câbles du côté opposé de l'opérateur.
- Ne pas courber pas et ne pas entourer pas les câbles autour de votre corps.
- Garder le poste de soudage et les câbles le plus loin possible de vous.
- Relier la pince de masse le plus près possible de la zone de soudure.

Consignes relatives aux stimulateurs cardiaques :

Les personnes qui portent un stimulateur cardiaque doivent avant tout consulter leur docteur. Si vous êtes déclaré apte par votre docteur, il est alors recommandé de respecter les consignes ci-dessus.

RISQUES D'ÉTINCELLES AVERTISSEMENT



LES RAYONS LUMINEUX DE L'ARC ÉLECTRIQUE PEUVENT ENDOMMAGER VOS YEUX ET PROVOQUER DES BRÛLURES CUTANÉES!

Afin de réduire les risques de blessures dues au rayonnement de l'arc électrique, veuillez lire, comprendre et observer les consignes de sécurité qui suivent. De plus, assurez-vous que toute personne susceptible d'utiliser cette machine ou de se tenir dans l'aire de découpe comprend et observe également ces consignes de sécurité.

- Ne regardez jamais un arc électrique sans porter de protection adéquate. Les arcs électriques émettent une lumière aussi forte qu'intense et, en l'absence de protection oculaire appropriée, la rétine peut être brûlée par les rayons lumineux, laissant un point noir permanent dans le champ de vision. Utilisez un écran ou un casque à verre filtrant teinté n° 8 (minimum).
- N'amorcez pas d'arc électrique tant que les personnes à proximité ou vous-même (l'utilisateur) ne portez pas un écran protecteur et/ou un casque.
- Ne portez pas un casque fissuré ou cassé. Remplacez IMMÉDIATEMENT tout casque ou verre filtrant fissuré ou cassé.
- Fournissez toujours aux personnes à proximité un écran ou un casque à verre filtrant teinté n° 8.
- Portez des vêtements de protection. Tout comme le soleil, la lumière intense émanant de l'arc peut brûler la peau, même à travers un vêtement léger. Portez des vêtements sombres en tissu épais. La chemise doit être à manches longues, avec le col boutonné jusqu'en haut pour protéger la poitrine et le cou.
- Protégez-vous contre la RÉFLEXION DES RAYONS LUMINEUX DES ARCS ÉLECTRIQUES. Le rayonnement des arcs peut être réfléchi par des surfaces brillantes telles que celles revêtues d'une peinture brillante, l'aluminium, l'acier inoxydable et le verre. Vos yeux peuvent être abîmés par le rayonnement des arcs électriques même si vous portez un casque de protection ou un écran. Si vous découpez le dos tourné à une surface réfléchissante, les rayons lumineux de l'arc électrique seront réfléchis par cette surface puis par la surface intérieure du verre filtrant de votre casque ou de votre écran et atteindront vos yeux. Si une telle surface réfléchissante se trouve derrière vous dans votre zone de travail, il faut soit la retirer, soit la couvrir de matériaux ininflammables et nonréfléchissants. En plus des lésions oculaires qu'elle peut provoquer, la réflexion du rayonnement des arcs électriques peut aussi brûler la peau.

RISQUES D'INCENDIE AVERTISSEMENT



LES INCENDIES OU LES EXPLOSIONS PEUVENT ETRE MORTELS, PROVOQUER DES BLESSURES CORPORELLES, ET CAUSER DES DOMMAGES MATÉRIELS! Afin de réduire les risques d'accidents mortels, de blessures corporelles et de dégâts matériels causés par un incendie ou une explosion, veuillez lire, comprendre et observer ces consignes de sécurité. De plus, assurez-vous que toute personne susceptible d'utiliser cette machine ou de se tenir dans l'aire de découpe comprend et observe également ces consignes de sécurité.

SOUVENEZ-VOUS que par nature, la découpe au plasma s'accompagne d'étincelles, de projections brûlantes, de gouttelettes de métal fondu, de scories et de pièces brûlantes qui risquent de provoquer des incendies, de brûler la peau et de blesser les yeux.

- Ne dirigez JAMAIS le bec à l'extrémité du chalumeau vers une partie de votre corps ou de celui d'une autre personne.
- Ne portez aucun gant ou vêtement imbibé d'huile, de graisse ou de toute autre substance inflammable.
- Ne portez pas de produit inflammable dans les cheveux.
- Ne découpez pas sans avoir vérifié au préalable que l'aire de découpe ne contient aucun produit combustible ou inflammable et les avoir retirés au besoin. N'oubliez pas que les étincelles et autres débris brûlants peuvent être projetés à plus de 35 pieds (10 mètres) et qu'ils peuvent traverser de petites ouvertures ou fissures. S'il est impossible d'écarter les matériaux combustibles de 35 pieds (10 mètres) au moins de l'aire de travail, utilisez des protections appropriées et bien serrées, telles que couvercles hermétiques ou couvertures à l'épreuve du feu.
- Ne découpez pas sur un mur tant que vous n'avez pas vérifié l'absence de matériaux combustibles derrière le mur et que vous n'avez pas retiré ces derniers si nécessaire.
- Ne découpez pas et n'effectuez aucun travail de ce type sur des barils usagés, des tonneaux, des réservoirs ou tout autre récipient ayant contenu des produits inflammables ou toxiques. Il existe des techniques particulières pour évacuer les substances et les vapeurs inflammables d'un récipient afin de pouvoir y souder ou découper sans danger. Ces techniques sont relativement complexes et nécessitent une formation spéciale.
- N'appliquez pas d'arc électrique sur une bouteille de gaz ou d'air comprimé, ou sur tout autre récipient comprenant des gaz comprimés pour éviter de provoquer une violente déflagration.
- Ne coupez ou ne soudez pas si l'air ambiant risque de contenir des poussières inflammables (comme la poussière de graines), des gaz ou des vapeurs de liquide (comme l'essence).
- Ne maniez pas à mains nues les pièces métalliques brûlantes, telles que la pièce découpée ou les bases d'électrode.
- Mettez toujours l'interrupteur marche-arrêt en position d'arrêt (" OFF ") avant de poser le chalumeau pour éviter qu'il ne se déclenche accidentellement.
- Portez des gants de cuir, une chemise à manches longues à tissu épais, un pantalon sans revers, des chaussures montantes, un casque et une casquette. Si nécessaire, portez d'autres vêtements protecteurs comme un blouson ou des manches de cuir, des jambières ignifugées ou encore un tablier. Des étincelles et des projections brûlantes peuvent se loger dans les manches relevées, dans les revers de pantalon ou dans les poches. Les manches et les cols doivent rester boutonnés et les poches frontales éliminées.
- Ayez toujours un appareil d'extinction d'incendie à portée de main prêt à l'emploi ! Un extincteur pour feux d'origine chimique de type ABC est recommandé. Portez des obturateurs d'oreille si la pièce à découper est au-dessus de vous afin de prévenir l'entrée d'un éclat et autre débris brûlant dans vos oreilles.
- Assurez-vous que le sol de l'aire de découpe est solide et stable, de préférence en béton ou en maçonnerie, et qu'il n'est pas carrelé, ni recouvert de moquette ni fait d'un matériau conducteur ou inflammable.

- Couvrez les murs, les plafonds et les sols constitués de matériaux inflammables avec des couvertures ou protections résistantes à la chaleur.
- Inspectez l'aire de découpe afin de vous assurer qu'elle ne présente ni étincelles, ni métal ou scories en fusion, ni flammes avant de vous en éloigner.

RISQUES DE FUMÉES TOXIQUES AVERTISSEMENT



LES FUMÉS, LES GAZ, ET LES VAPEURS PEUVENT VOUS INCOMMODER, VOUS RENDRE MALADE, OU VOUS TUER! Afin de réduire les risques de malaises, de maladies et de mort, veuillez lire, comprendre et observer ces consignes de sécurité. De plus, assurez-vous que toute personne susceptible d'utiliser cette machine ou de se tenir dans l'aire de découpe comprend et observe également ces consignes de sécurité.

- Ne découpez pas dans un endroit avant d'avoir vérifié que sa ventilation est conforme à la norme ANSI n° Z49.1. Si le système de ventilation est insuffisant pour évacuer toutes les fumées et tous les gaz générés et renouveler l'air pendant la découpe, ne découpez pas tant que vous (l'utilisateur) et les personnes à proximité ne portez pas un appareil respiratoire à adduction d'air.
- Ne chauffez pas de métaux revêtus ou susceptibles de contenir des composants qui produisent des émanations toxiques (comme les métaux galvanisés) sans avoir au préalable retiré ces composants, vérifié la ventilation de l'aire de travail ou doté l'utilisateur et les personnes à proximité d'un appareil respiratoire à adduction d'air.
- Ne soudez pas, ne découpez pas et ne chauffez pas le plomb, le zinc, le cadmium, le mercure, le béryllium, ou tout autre métal similaire sans demander l'avis d'un professionnel et effectuer une inspection du système de ventilation de la zone de travail. Ces métaux dégagent des gaz EXTRÊMEMENT TOXIQUES qui peuvent entraîner des troubles respiratoires, des maladies, et même la mort.
- Ne soudez ou ne découpez jamais à proximité de solvants chlorés. Les vapeurs des hydrocarbures chlorés, comme le trichloroéthylène et le perchloroéthylène, peuvent être décomposées par la chaleur ou par les ultraviolets provenant des arcs électriques et former du PHOSGÈNE, un gaz EXTRÊMEMENT TOXIQUE, ainsi que d'autres gaz irritant les poumons et les yeux. Ne soudez ou ne découpez pas s'il y a des risques, mêmes minimes, d'aspiration ou d'irradiation de ces vapeurs de solvants dans l'aire de découpe ou à proximité.
- Ne découpez pas dans un local confiné sauf s'il est bien aéré ou que l'utilisateur (et toute personne à proximité) porte un appareil respiratoire à adduction d'air.
- Une irritation momentanée des yeux, du nez ou de la gorge est le signal d'une ventilation insuffisante. Dans ce cas, arrêtez immédiatement de découper et prenez les mesures nécessaires pour améliorer la ventilation de l'aire de travail. Ne reprenez jamais la découpe tant que ces sensations d'inconfort persistent.

RISQUES CONCERNANT LES GAZ COMPRIMÉS ET L'ÉQUIPEMENT AVERTISSEMENT



LA MANIPULATION ET L'ENTRETIEN INCORRECTS DES BOUTEILLES DE GAZ OU D'AIR COMPRIMÉ OU DES DÉTENDEURS PEUVENT CAUSER DES BLESSURES GRAVES, VOIRE MORTELLES ! Afin de réduire les risques de blessures graves ou mortelles dues à l'air ou au gaz comprimé ou à l'équipement pneumatique, veuillez lire, comprendre et observer les consignes de sécurité qui suivent. De plus, assurez-vous que toute personne susceptible d'utiliser cette machine ou de se tenir dans l'aire

de découpe comprend et observe également ces consignes de sécurité.

- N'essayez pas de mélanger des gaz ou de recharger une bouteille vous-même.

- N'exposez pas les bouteilles à une chaleur excessive, des étincelles, des particules en fusion, des flammes, etc. Les bouteilles de gaz soumises à une température supérieure à 130°F (55°C) doivent être refroidies par vaporisation d'eau.
- N'exposez pas les bouteilles à une forme d'électricité quelle qu'elle soit.
- N'utilisez pas une bouteille ou son contenu dans un but autre que celui prévu. Ne l'employez pas comme support ou rouleau.
- N'entreposez pas les bouteilles de gaz dans un passage ou dans une zone de travail où elles risquent d'être heurtées.
- N'utilisez pas de clé ni de marteau pour ouvrir le robinet d'une bouteille difficile à ouvrir à la main. Si le cas se présente, notifiez votre fournisseur.
- Ne modifiez et ne remplacez pas les embouts de raccordement des bouteilles de gaz.
- N'effacez pas et ne modifiez pas le nom, le numéro ou autre indication figurant sur une bouteille. Ne vous fiez pas à la couleur du cylindre pour identifier le contenu.
- Ne montez pas sur une bouteille un détendeur autre que celui conçu pour le gaz contenu dans la bouteille.
- N'essayez pas de réparer un détendeur défectueux.
- Envoyez-le au centre de réparation agréé par le fabricant s'il doit être réparé.
- N'essayez pas de graisser le détendeur.
- Manipulez toujours les bouteilles de gaz avec précautions afin de prévenir toute fuite et éviter d'endommager leur paroi, leur robinet et autres dispositifs de sécurité.
- Assurez les bouteilles à l'aide de chaînes d'acier pour éviter qu'elles ne soient renversées.
- Protégez toujours les bouteilles et, en particulier, leur robinet contre les chocs, les chutes, les objets tombants et les intempéries. N'oubliez pas que les gaz à l'intérieur de la bouteille sont sous pression et que, sous l'effet d'un choc, le détendeur ou un de ses composants peut être éjecté de la bouteille sous l'effet d'une explosion.
- Assurez-vous toujours que le capuchon de la bouteille est fermement en place chaque fois que la bouteille est déplacée.
- Fermez toujours le robinet de la bouteille et retirez immédiatement du service tout détendeur défectueux.
- Faites-le réparer chaque fois que l'un des problèmes suivants se produit : Fuite de gaz (ou d'air) à l'extérieur. Augmentation continue de la pression d'alimentation alors que le robinet aval est fermé. L'aiguille du manomètre ne décolle pas du zéro lorsque le détendeur est pressurisé ou ne revient pas au zéro lorsqu'il est dépressurisé.

RISQUES CONCERNANT LE MÉTAL FONDU ET LES SCORIES BRÛLANTES

AVERTISSEMENT



LA DÉCOUPE AU PLASMA PEUT CAUSER DE GRAVES BRÛLURES PAR LA PROJECTION DE SCORIES BRULANTES ET DE MÉTAL EN FUSION ! Pour réduire les risques de brûlures graves dues à la projection ou l'égouttement de scories brûlantes ou de métal en fusion, lisez attentivement les consignes de sécurité suivantes pour bien les comprendre et observez-les. De plus, assurez-vous que toute autre personne susceptible d'utiliser cette machine ou de se tenir dans l'aire de découpe comprend et observe également ces consignes de sécurité.

- Portez des gants de soudeur en cuir, une chemise à manches longues à tissu épais, un pantalon sans revers, des chaussures montantes, un casque et une casquette. Si nécessaire, portez d'autres vêtements protecteurs comme un blouson ou des manches de cuir, des jambières ignifugées ou encore un tablier. Des étincelles et des projections brûlantes peuvent se loger dans les manches relevées, dans les revers de pantalon ou dans les poches. Les manches et les cols doivent rester boutonnés et les poches frontales éliminées.

RISQUES DE PERTE AUDITIVE AVERTISSEMENT



LE BRUIT RÉSULTANT DE LA DÉCOUPE AU PLASMA PEUT CAUSER UNE PERTE AUDITIVE ! Afin de réduire les risques de surdit   la suite de la d  coupe au plasma, lisez attentivement les consignes de s  curit   suivantes pour bien les comprendre et observez-les. De plus, assurez-vous que toute autre personne susceptible d'utiliser cette machine ou de se tenir dans l'aire de d  coupe comprend et observe   galement ces consignes de s  curit  .

- Portez une protection auditive conforme ou sup  rieure aux normes de s  curit   de l'OSHA pendant la d  coupe.

CONSIGNES DE S  CURIT   SUPPL  MENTAIRES

Pour toutes informations compl  mentaires concernant la s  curit   autour de la zone de soudage, veuillez vous r  f  rer aux normes suivantes et les appliquer en fonction de vos besoins.

- Norme ANSI Z49.1 - SAFETY IN WELDING AND CUTTING - La norme de s  curit   de soudage et de d  coupe peut   tre obtenue aupr  s de l'association des soudeurs am  ricains (American Welding Society), au 550 NW Le Jeune Road, Miami, FL 33126 Telephone (800) 443-9353, Fax (305) 443-7559 - www.amweld.org or www.aws.org
- Norme ANSI Z87.1 - SAFE PRACTICE FOR OCCUPATION AND EDUCATIONAL EYE AND FACE PROTECTION - La norme de s  curit   de pour la protection des yeux et du visage peut   tre obtenue aupr  s de American National Standard Institute, 11 West 42nd St., New York, NY 10036 Telephone (212) 642-4900, Fax (212) 398-0023 - www.ansi.org
- Norme NFPA 51B - CUTTING AND WELDING PROCESSES - la norme concernant les processus de d  coupe et de soudage peut   tre obtenue aupr  s de la National Fire Protection Association, 1 Batterymarch Park, P.O. Box 9101, Quincy, MA 02269-9101 Telephone (617) 770-3000, Fax (617) 770-0700 - www.nfpa.org
- Norme OSHA 29 CFR, Section 1910, Soussection Q, WELDING, CUTTING AND BRAZING. - La norme concernant l'abrasion, la d  coupe, et le soudage peut   tre obtenue au pr  s du bureau OSHA de votre   tat ou U. S. Dept. of Labor OSHA, Office of Public Affairs, Room N3647, 200 Constitution Ave. NW Washhington, DC 20210 - www.osha.gov
- Norme CSA W117.2 - Code pour la SAFETY IN WELDING AND CUTTING - La norme concernant la securit   en d  coupage et le soudage peut   tre obtenue aupr  s de la Canadian Standard Association, 178 Rexdale Blvd. Etobicoke, Ontario M9W1R3 - www.csa.ca
- Norme AWS A6.0 - WELDING AND CUTTING CONTAINERS WHICH HAVE HELD COMBUSTIBLES. — La norme de s  curit   de soudage et de d  coupe peut   tre obtenue aupr  s de l'association des soudeurs am  ricains (American Welding Society), 550 NW Le Jeune Road, Miami, FL 33126 Telephone (800) 443-9353, Fax (305) 443-7559 - www.amweld.org or www.aws.org

INTRODUCTION

DESCRIPTION

Your new plasma arc cutter has been designed to cut any electrically conductive material in applications such as maintenance shops, service stations, van conversion shops, auto restoration and salvage operations, etc.

On steel, all models can cut thicknesses of less than 26 gauge but the 120V model can cut up to 5/16" inch steel, and the 230V model can cut up to 3/8" inch steel.

Your plasma arc cutter comes complete and ready to cut. All you need to provide is a clean, dry, oil free compressed air supply.

The system is based on a modern DC inverter power supply. This special technology allows for the construction of compact lightweight unit with high performance. Infinite power adjustment, high efficiency and reduced power consumption make it an excellent tool.

SPECIFICATIONS

	120 VOLT MODELS	230 VOLT MODELS
Input Voltage	120 volt 60 Hz. Single Phase	230 volt 60 Hz. Single Phase
Input Amps @ Rated Output	20 AAC	20 AAC
Input Plug Style	120 volt 15 amp	230 volt 50 amp
Power Cord Length	10 ft.	10-ft.
Rated Output Amps	20 ADC	30 ADC
Max Output Amps	25 ADC	30 ADC
Rated Output Volts	90 VDC	90 VDC
Rated Duty Cycle	35%	35%
Max Open Circuit Voltage	195 VDC	195 VDC
Agency Listing	CSA	CSA
Output Settings	Infinite	Infinite
Air Requirement	3.5 cf – 100l/min @ 55psi	3.5 cf – 100l/min @ 55psi

ASSEMBLY

UNPACKING YOUR PLASMA CUTTER

1. Remove the unit from the carton. .
2. Remove any cartons or bags containing accessories.
3. Open the cartons or bags packed with your unit and inspect their contents for damage.
4. Lay out the parts and compare them to any illustrations in this manual to familiarize yourself with them and what they are called. This will help you when reading the manual.

POWER REQUIREMENTS

This Plasma Cutter is designed to operate on a properly grounded power source fused with a minimum 20 amp fuse or circuit breaker. If you modify the power cord in any way, you will void the manufacturer's warranty. It is recommended that a qualified electrician verify the actual voltage at the receptacle into which the welder will be plugged and confirm that the receptacle is properly fused and grounded. The use of the proper circuit size can eliminate nuisance circuit breaker tripping while welding.

DO NOT OPERATE THIS UNIT if the actual power source voltage is less than 100 volts AC or greater than 125 volts AC (120 volt models); less than 198 volts AC or greater than 240 volts AC (230 volt models). Contact a qualified electrician if this problem exists. Improper performance and/or damage to the welder will result if operated on inadequate or excessive power.

WARNING



ELECTRIC SHOCK CAN KILL! FIRE CAN KILL, INJURE, AND CAUSE PROPERTY DAMAGE!

- To reduce the risk of electric shock and fire, connect only to properly grounded and fused outlets.
- Never alter the AC power cord provided on the welder. Never alter an extension cord or extension cord plugs.

EXTENSION CORD USE

For optimum welder performance, an extension cord should not be used unless absolutely necessary. If necessary, care must be taken in selecting an extension cord appropriate for use with your specific welder.

Select a properly grounded extension cord that will mate the AC power cord of the welder with the AC power source receptacle directly, without the use of adapters. Make sure the extension cord is properly wired and in good electrical condition.

For an extension cord not exceeding 25 feet in length, choose the same AWG wire size as that of the power cord on the welder. Extension cord lengths longer than 25 feet will require heavier wire gauges to compensate for voltage losses.

INSTALL COMPRESSED AIR SUPPLY

WARNING



GASES UNDER PRESSURE CAN EXPLODE AND INJURE OR KILL! To reduce risk of death or injury from faulty compressed air equipment, read, understand, and follow the safety instructions in this manual. In addition, make certain that anyone else that uses this cutting equipment, or a bystander in the cutting area, understands and follows the safety instructions as well.

COMPRESSED AIR REQUIREMENTS

The compressed air specifications for the plasma cutter are provided in the SPECIFICATIONS section. This cutter uses only compressed air. The compressed air is obtained from an external compressed air source (not included) and must be clean, dry, and oil-free.

An air line filter with a drain trap is recommended for use with this plasma cutter. An air filter alone may not be sufficient to capture all of the moisture and oil expelled by the compressor. If the compressed air is still not dry enough (clean and oil free), install an after cooler (either air or water cooled), and a condensate drain along with the filter and drain trap. The after cooler and condensate drain take out 80% of the water and oil, and by doing so, increase the life of consumables. In some situations, where high humidity is present, the addition of a refrigerated dryer may be required to remove excess moisture.

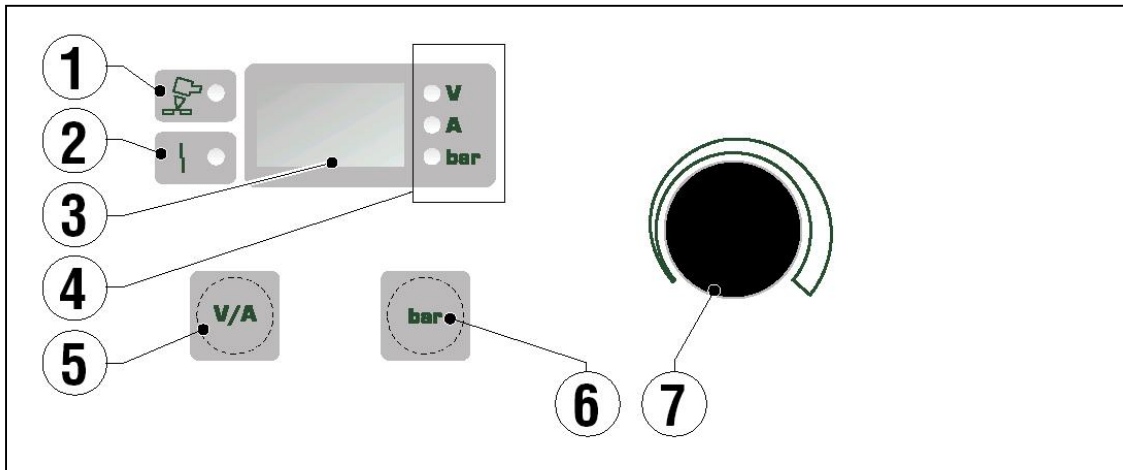
When you install the air filter and drain trap, make sure the trap is upstream from the filter. Having the drain before the filter allows for moisture removal prior to filtration. If an after cooler and condensate drain are required, the aftercooler receives the compressed air first, then the condensate drain, the drain trap, and finally the air filter. If a refrigerated dryer is being installed, it should be placed between the condensate drain and the drain trap.

DO NOT USE COMPRESSED GASES OTHER THAN AIR! Compressed gases such as Argon, Hydrogen, or Nitrogen are not acceptable for use in cutting. **USE ONLY COMPRESSED AIR!**

CONNECT TO COMPRESSED AIR SOURCE

1. Obtain a proper adapter to match the inlet of the plasma cutter to your style of quick connect air fitting.
2. Apply pipe sealant or one wrap of teflon tape to the threads of any fitting obtained in step 1.
3. Connect your compressed air line to the cutter.

CONTROLS & THEIR FUNCTIONS



1. POWER OUTPUT INDICATOR

When lit, this LED indicates that power is available for cutting.

2. ALARM INDICATOR

When lit, this LED indicates that one of the alarms has triggered. At the same time the digital display (Ref. 3) shows the type of alarm, as shown in the table below, with instructions for correcting the problem. In this condition the unit does not supply current.

3. DIGITAL DISPLAY

This display operates in a number of ways:

Display Volts or Amps – by pressing the V/A switch (5), you can read the voltage or amperage at the torch. This is a momentary display

Display Air Pressure – By pressing the bar switch (6) you can read the operating air pressure of the system.

Error/Alarm Indications – If an error is present, the display will light showing the code of the error. The codes are shown below:

DISPLAY	ERROR or PROBLEM	CORRECTION/RESET
---	Insufficient input voltage	
CUP	The nozzle cap is not properly screwed on the torch	Turn the unit OFF. Tighten the nozzle cap on the torch correctly and turn the unit back ON
HtA	Unit is overheating	Stop cutting – allow the unit to cool down. Alarm will reset after the unit has cooled down.
ThA (Flashing)	Unit is approaching overheating	Stop cutting – allow the unit to cool down. Alarm will reset after the unit has cooled down.
Air	Insufficient air pressure	Adjust air regulator to increase pressure. Check incoming air line.
ScA	Short circuit in output of unit	Turn the unit OFF and turn back ON to reset
LSF	Arc blow out	Check wear on electrode and nozzle. Replace if worn. If alarm continues, cycle the unit off and on.

DISPLAY	ERROR or PROBLEM	CORRECTION/RESET
LHF	Inverter error/malfunction	Turn the unit OFF and then ON again. If this condition persists, contact Technical Service

4. Digital Display Function LED

This LED indicates what function the digital display is indicating – Volts, Amps, or Air Pressure (bar)

5. V/A Button

By pressing this button, the digital display will indicate Volts or Amps. The display will stay on for a few seconds and then shut off.

6. Air Button (bar)

By pressing this button, the air circuit will open and allow adjustment of the air pressure at the regulator. The digital display will indicate the air pressure (in bar).

7. Current Adjustment Knob

By turning the knob, you can adjust the cutting current from minimum (10 amps) to the maximum power for your unit.

8. ON-OFF Switch

The main ON-OFF switch is on the back of the unit. When switched ON, the switch will light up. When the unit is turned OFF, the internal fan will continue to run for several minutes to fully cool the unit. Do not unplug or disconnect the unit until the fan has shut off.

9. Air Regulator

To adjust the air pressure, lift the knob on the regulator to release it from its locked position, press the “bar” button on the front of the unit, and turn the regulator knob to adjust to the proper temperature. Press down on the regulator knob to lock it in place.

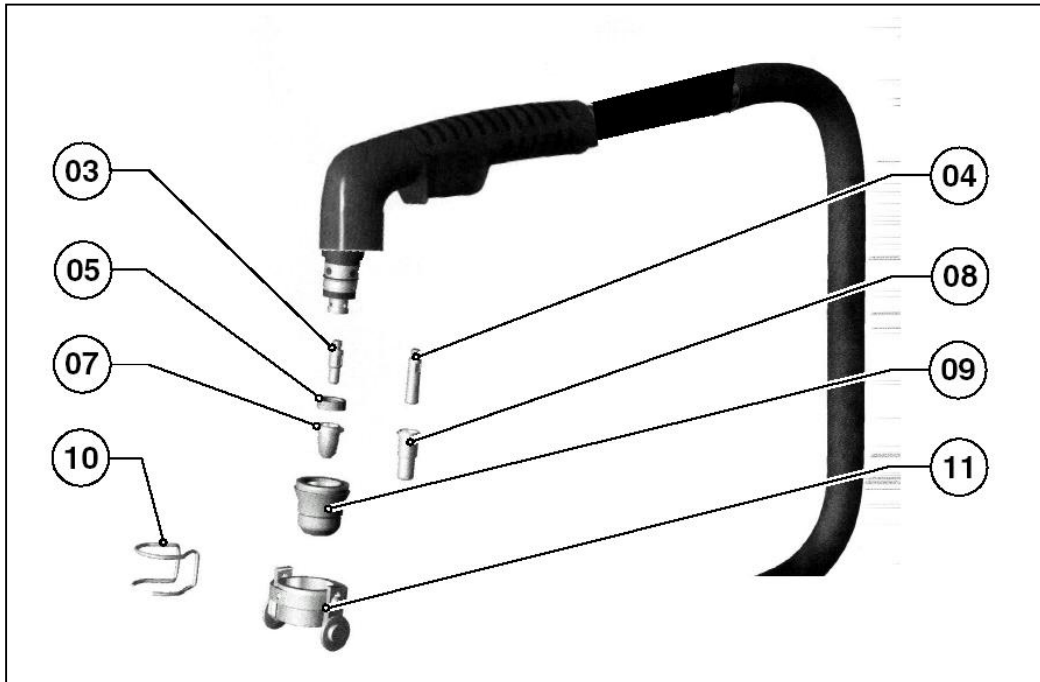
PLASMA TORCH OPERATION

The torch is designed to be held comfortably in most positions. The trigger is on the bottom of the torch. When pressed, within a fraction of a second air will begin to flow through the cutter and the torch. If air pressure and flow are correct, a plasma arc will be established at the end of the torch. When the trigger is released, the plasma arc will be shut off, but the air may continue to flow for a few seconds to cool the torch.

The cutting arc can be restarted during this cooling air flow by depressing the trigger again and the arc will be reestablished within 1-2 seconds.

PLASMA TORCH CONSUMABLE PARTS

During the cutting process, the parts on the end of the torch are slowly consumed. To prevent premature consumption of some torch parts and to prevent damage to the torch itself, it is necessary to replace the consumable parts in a timely manner. When the cutting arc seems to be weaker than normal or sputters, inspect all torch consumables for wear and damage and replace as needed.



- Standard Electrode (03)
- Long Electrode – optional (04)
- Air Diffuser (05)
- Standard Nozzle (07)
- Long Nozzle – optional (08)
- Nozzle Cap (10)
- Wire Standoff (11)
- Roller Standoff – optional (11)

HINTS FOR INCREASING LIFE OF CONSUMABLES

1. Use clean, dry, oil-free compressed air only.
2. Establish and maintain a good electrical connection with the ground clamp to the material being cut.
3. Establish and maintain a consistent distance of about 1/16 inch between the material being cut and the torch nozzle.
4. Establish and maintain proper movement speed. The optimum torch movement speed for maximum consumable life is that which results in the main shower of sparks trailing approximately 5 degrees behind the main axis of the torch. Moving the torch too fast and/or not cutting completely through the metal while continuing to move the torch will result in shorter consumable life.
5. Hold cutting starts to a minimum. Starts wear on the nozzle and electrode more than actual cutting.

CONNECT WELDER GROUND

Attach the ground clamp to the work piece making sure that the work piece is cleaned of dirt, oil, rust, scale, oxidation, and paint at the point of connection. It is best to connect the ground clamp directly to the work piece and as close to the cut as possible. If it is impractical to connect the ground clamp directly to the work piece, connect it to metal that is securely attached to the work piece, but not electrically insulated from it. It is possible to cut ungrounded pieces, but cutting capacity is limited and consumable life is decreased.

CAUTION!

RISK OF ELECTRONIC COMPONENT DAMAGE!

If the ground clamp is being connected to an automobile or other equipment with on-board computer systems, solid state electronic controls, solid state sound systems, etc., do not cut until disconnecting the cable from the battery that is attached to chassis ground. Failure to do so may result in electronic component damage!

OPERATION

ARC STARTING

When the trigger is pressed, compressed air flows through the torch. When it reaches the end of the torch, the electrode is pushed back away from the nozzle by the force of the air. When the gap between the electrode and nozzle becomes great enough, an arc is created and quickly becomes a plasma arc.

DUTY CYCLE

The duty cycle rating is expressed as a percentage of an industry recognized cycle, based on a 10 minute working time period. The duty cycle rating of a plasma arc cutter tells the operator what portion of the 10 minutes of working time the cutter can be used for cutting and what portion of the time the cutter must be allowed to rest and cool. Your unit has a duty cycle rating of 35%. This means that out of the 10 minute working time period, you may cut for three and one half minutes, but must allow the cutter to cool for the remaining six and a half minutes of the working time period.

SAFETY INTERLOCKS

When air pressure is not sufficient to blow the electrode back from the nozzle, current will not be allowed to the torch for cutting. Some common reasons for low air pressure are:

1. The compressed air source pressure or the air regulator on the cutter is set too low.
2. The consumable parts at the end of the torch are not installed at all or not installed properly.
3. Any filter being used with the cutter is plugged and needs to have a new filter element installed.
4. A thermal switch is also provided in the cutter to prevent overheating. Exceeding the cutter duty cycle rating, or holding the torch more than 1/16 inch from the workpiece normally causes overheating.

For all of these conditions, an error message will be indicated on the digital display or the LEDs on the unit to indicate the problem.

GENERAL MAINTENANCE

This plasma arc cutter has been engineered and manufactured to give many years of trouble-free service providing that a few very simple steps are taken to properly maintain it.

1. Inspect and replace all cutting torch consumables in a timely manner.
2. Periodically, unplug the power cord from the ac power source and remove the cover from the plasma cutter. Air-blow any accumulated dust and dirt from the inside of the cutter and reinstall the cover. Initially, this should be done after the first six months of operation. After that, do it more or less frequently depending on what your cutter's environment dictates.

Always check that the torch consumables are in good shape and not worn out. This is the biggest single thing to assure the best cutting performance.

TROUBLESHOOTING

The following TROUBLESHOOTING information and tables are provided as a guide to help resolve some of the more common problems that could be encountered. Should you or qualified repair personnel be unable to resolve a problem or determine which of the possible solutions will remedy a specific problem, contact WELDER SERVICE for over-the-phone diagnostic assistance at: (800) 458-6447.

FRONT PANEL – TROUBLESHOOTING ERROR CODES

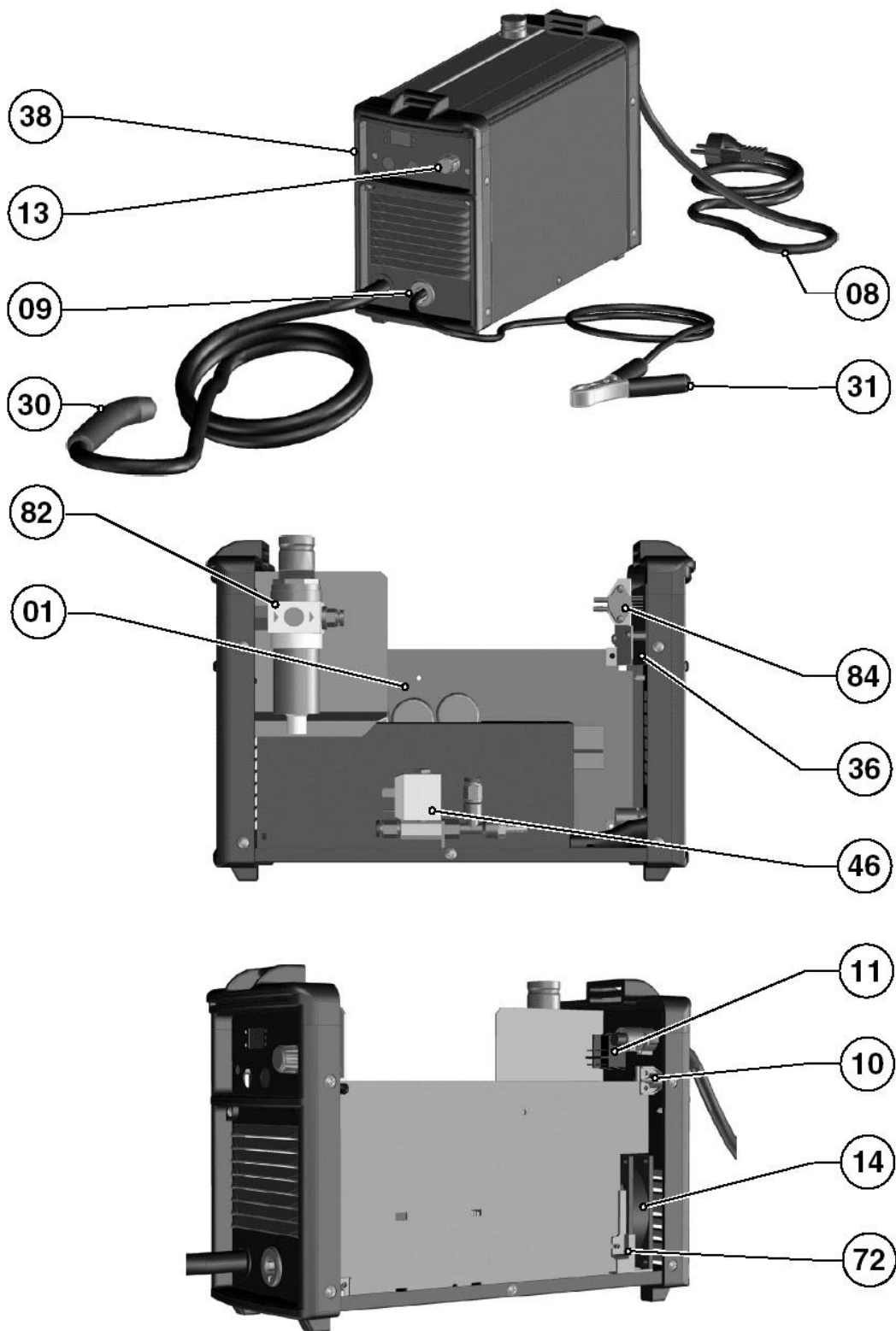
In some cases, error codes may appear on the digital display. The table below indicates the type of error. Record these error codes when calling Technical Service.

DISPLAY	CORRECTION/RESET
F14	Make sure that the nozzle cap is properly installed and tightened firmly. Switch the power OFF and then ON again.
F10 - F11 - F12 -F13	Switch the power OFF and then ON again. If the failure code persists call WELDER SERVICE.
F 15	Make sure that the torch trigger is not pressed when switching the unit ON. Switch the unit OFF and then ON again.
F20 - F30 - F51 - F52 - F53 - F54 -F55 - F56	Switch the power OFF and then ON again. If the failure code persists call WELDER SERVICE.

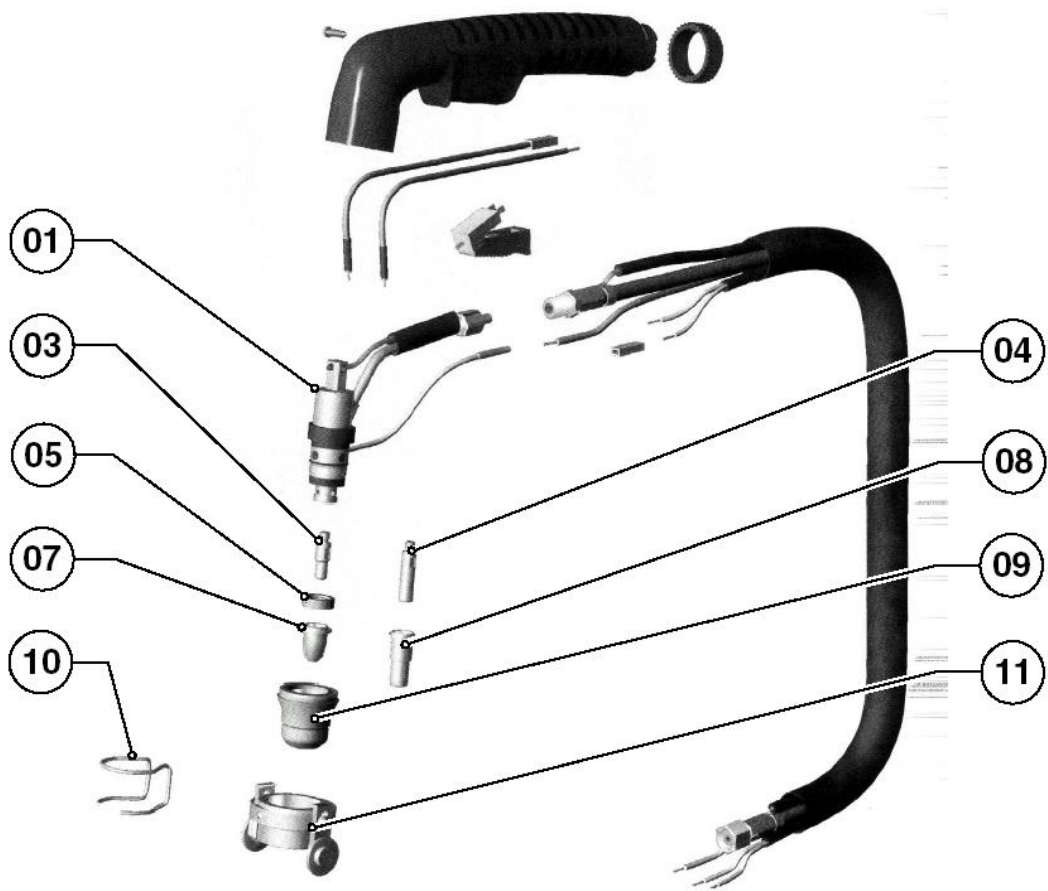
GENERAL CUTTING PROBLEMS – TROUBLESHOOTING

Symptom	Possible Causes	Corrective Action
Difficult to maintain arc	Worn consumables	Replace consumables
	Moist air	Add water trap to incoming air supply line
Build up of dross underneath cut	Torch angle wrong	Hold torch perpendicular to workpiece
	Worn consumables	Replace consumables
	Travel rate too slow	Increase speed of torch travel
Difficulty penetrating workpiece	Cutting power set too high	Reduce amperage
	Worn consumables	Replace consumables
	Travel rate too fast	Decrease speed of torch travel
	Cutting power set too low	Increase amperage

REPLACEMENT PARTS LIST



Reference Number	Part Number 120 Volt Models	Part Number 230 Volt Models	Description
01	9807600546	9807600543	CIRCUIT BOARD CE 22662
08			POWER CORD
09	9807600400	9807600400	POWER CORD STRAIN RELIEF
10	9807600398	9807600398	MOUNTING BLOCK
11	9807600433	9807600433	SWITCH
13	9807600408	9807600408	KNOB
14	9807600495	9807600495	FAN ASSEMBLY
30	92500	92500	TORCH ASSEMBLY
31	9807600525	9807600525	GROUND CABLE
36	9807600546	9807600546	CIRCUIT BOARD CE 22666
38	9807600592	9807600592	PLASTIC TRIM
46	9807600494	9807600494	SOLENOID VALVE 24VDC
72	9807600535	9807600535	SUPPORT
82	9807600606	9807600606	AIR REGULATOR
84	9807600493	9807600493	ELECTRONIC PRESSURE SWITCH
	9807600551	9807600551	CARRYING STRAP



Reference Number	Part Number	Description
01	9807600519	TORCH BODY
03	92503	ELECTRODE STANDARD
04	92504	ELECTRODE EXTENDED (opt.)
05	92505	AIR DIFFUSER
07	92501	NOZZLE STANDARD
08	92502	NOZZLE EXTENDED (opt.)
09	92506	NOZZLE CAP
10	92507	WIRE STANDOFF
11	92508	TORCH ROLLER STANDOFF (opt.)

MANUFACTURER'S LIMITED WARRANTY

The manufacturer warrants that it will repair, at no charge for parts or labor, the Plasma Cutter or components, proven defective in material or workmanship, during the following time period(s) after date of original retail purchase:

For 5 Years: The Plasma Cutter's switch, solenoid valve and air pressure switch only

For 2 Years: The Entire Plasma Cutter including main circuit boards(excluding accessories packed with the plasma cutter)

For 1 Year: The Plasma cutter's Welding Cables and Cutting Torch

If after reasonable efforts by the manufacturer, the Plasma cutter or component(s) is/are deemed unrepairable, the manufacturer will, at its option, refund the original purchase price or supply a replacement plasma cutter, or component(s) (whichever is defective).

This warranty extends to the Plasma cutter and Torch only and does not apply to any accessory items included with the product which are subject to wear from usage; the replacement or repair of these items shall be at the expense of the owner.

This limited warranty is void if the product is altered, misused, subjected to careless handling, improperly packaged and damaged when returned for repair, or improperly repaired by anyone other than the factory or other authorized factory representative.

The manufacturer makes no warranty other than this limited warranty and expressly excludes any implied warranty including any warranty for consequential damages.

THIS IS THE ONLY EXPRESS LIMITED WARRANTY AND THE MANUFACTURER NEITHER ASSUMES NOR AUTHORIZES ANYONE TO ASSUME OR MAKE ANY OTHER OBLIGATION TOWARDS THE PRODUCT OTHER THAN THIS EXPRESS LIMITED WARRANTY. THE MANUFACTURER MAKES NO WARRANTY OF MERCHANT ABILITY OR FITNESS FOR PURPOSE OF THIS PRODUCT AND EXPRESSLY EXCLUDES SUCH FROM THIS LIMITED WARRANTY. SOME STATES DO NOT ALLOW THE EXCLUSION OR LIMITATION OF INCIDENTAL OR CONSEQUENTIAL DAMAGES OR LENGTH OF IMPLIED WARRANTY SO THE ABOVE LIMITATIONS OR EXCLUSIONS MAY NOT APPLY TO YOU.

THIS WARRANTY GIVES YOU SPECIFIC LEGAL RIGHTS, AND YOU MAY ALSO HAVE OTHER RIGHTS, WHICH VARY FROM STATE TO STATE.

TO OBTAIN SERVICES UNDER THIS WARRANTY:

Owner pays transportation charges to the service center at the address listed below. Owner may avoid transportation charges, if he/she wishes by calling WELDER SERVICE at the telephone number listed below, for free diagnosis and shipment of replacement parts. The owner, in this case, assumes the responsibility for installation of parts. It is the obligation of the owner to provide proof of original retail purchase in order to obtain any services under this warranty.

Welder Service

1025 East Thompson

Hoopeston, IL 60942

(800) 458-6447

