



HEARTH PRODUCTS

HEARTH PRODUCTS  
KITS AND ACCESSORIES

P/N 506033-57  
Rev. NC, 08/2011

GRANDVIEW™ DOOR TRIM KIT

## INSTALLATION INSTRUCTIONS FOR INSTALLING DOOR TRIM ON A GRANDVIEW™ 230 WOODSTOVE



### KIT CONTENTS

Please ensure that all these parts are included

- 1 ea. Door Trim
- 1 ea. Instruction Sheet

Grandview™ Door Trim Kit		
Cat. No.	Model	Description
H8346	DRTRM-GV230-NKL	Door Trim, Nickel
H8347	DRTRM-GV230-BRNKL	Door Trim, Brushed Nickel

### TOOLS NEEDED

- 1/8" Allen Wrench
- Flat Head Screwdriver
- Glass Cleaner/Soft Cloth

### GENERAL INFORMATION

If you encounter any problems, need clarification of these instructions or are not qualified to properly install this kit, contact your local distributor or dealer.

Read this instruction sheet in its entirety before beginning the installation.

**ALL WARNINGS, PRECAUTIONS AND INSTRUCTIONS IN THE INSTALLATION AND OPERATION MANUAL PROVIDED WITH THE APPLIANCE APPLY TO THESE INSTRUCTIONS.**

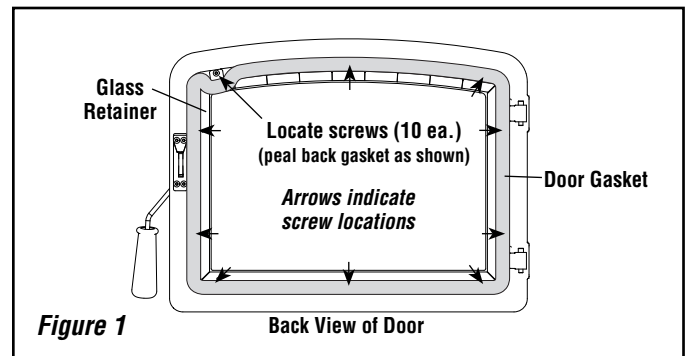
Check the contents of the kits upon receipt and check for any damaged or missing parts. If there is hidden damage, notify your freight company or Lennox Hearth Products dealer immediately.

**Be sure to clean plated surfaces with a soft cloth and household glass cleaner prior to burning the appliance. Fingerprints left on plated surfaces while burning may remain on the finish permanently.**

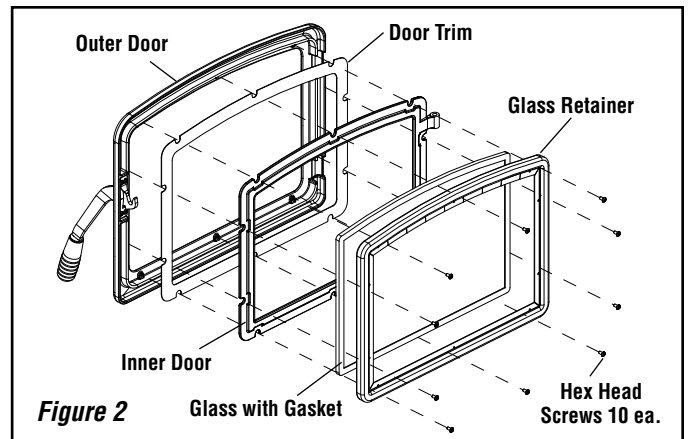
### INSTALLATION INSTRUCTIONS

**Step 1.** Open the door on the stove and locate the stainless glass retainer (see **Figure 1**). Screws are located underneath the white door gasket, and directly in line with the identifying holes on the stainless glass retainer.

**Step 2.** Gently pry back the door gasket, only where the screws are located (next to the identifying holes), and loosen the three bottom screws. NOTE\* DO NOT REMOVE. An 1/8" allen wrench will be necessary. Once bottom three screws are loosened, completely remove remaining seven screws around the door.



**Step 3.** Separate the outer door from the inner door, by pulling apart at the top, creating the necessary gap to slide the door trim in place.



**Step 4.** Slide door trim between inner and outer door, with desired finish facing outward. Ensure the notches on the door trim seat into, and are being captured by the mounting bosses on the outer door.

**Step 5.** Once door trim is in place, re-install door screws and tighten all door screws snugly. Ensure rope is firmly placed back into channel.

**Step 6.** Wipe down door trim with glass cleaner and soft cloth, as any fingerprints or dirt will remain permanently after stove is fired.

NOTE: DIAGRAMS AND ILLUSTRATIONS ARE NOT TO SCALE.

Lennox Hearth Products reserves the right to make changes at any time, without notice, in design, materials, specifications, prices and also to discontinue colors, styles and products. Consult your local distributor for fireplace code information.

Printed in U.S.A. © 2011 Lennox Hearth Products

P/N 506033-57 Rev. NC 08/2011

**Lennox Hearth Products**  
1508 Elm Hill Pike, Suite 108 • Nashville, TN 37210